

Message Implementation Guideline

MBUSI_003050_830

Based on

830

Planning Schedule with Release Capability

X12 003050

Version 1.4: July 29, 2022

Change History

| | Date | Chapter | Description |
|-----|-------------|-------------------------------|--|
| 1.0 | 25-Sep-2015 | All | Document created |
| 1.1 | 29-Oct-2015 | 3.20 FST | Added qualifier F for FST03 |
| 1.2 | 08-Jan-2016 | All | Revision of mandatory and optional requirements on field level |
| 1.3 | 02-Feb-2018 | 2.11 Interchange ID Qualifier | Changed/fixed entries. |
| 1.4 | 29-Jul-2022 | 3.2 | Clarified FST D*F Segment Description |
| | | | |

1 Contents

| | |
|---|----|
| Change History | 2 |
| 1 Structure / Table of Contents | 4 |
| 2 Branching Diagram of Used Segments/Groups | 5 |
| 3 Segments | 10 |
| 3.1 ISA Segment | 10 |
| 3.2 GS Segment | 11 |
| 3.3 ST Segment | 12 |
| 3.4 BFR Segment | 13 |
| 3.5 NTE Segment | 14 |
| 3.6 PER Segment | 15 |
| 3.7 TD5 Segment | 16 |
| 3.8 MAN Segment | 17 |
| 3.9 N1 Segment | 18 |
| 3.10 N4 Segment | 19 |
| 3.11 N1 Segment | 20 |
| 3.12 N3 Segment | 21 |
| 3.13 N4 Segment | 22 |
| 3.14 LIN Segment | 23 |
| 3.15 UIT Segment | 24 |
| 3.16 PID Segment | 25 |
| 3.17 PKG Segment | 26 |
| 3.18 PO4 Segment | 27 |
| 3.19 REF Segment | 28 |
| 3.20 FST Segment | 29 |
| 3.21 SHP Segment | 30 |
| 3.22 REF Segment | 31 |
| 3.23 SHP Segment | 32 |
| 3.24 CTT Segment | 33 |
| 3.25 SE Segment | 34 |
| 3.26 GE Segment | 35 |
| 3.27 IEA Segment | 36 |
| 4 Appendix | 37 |
| 4.1 General information | 37 |
| 4.2 Format of MBUSI part number from LIN03 | 37 |
| 4.3 Segment FST | 38 |
| 4.4 Segment SHP | 38 |
| 4.5 Example message | 39 |

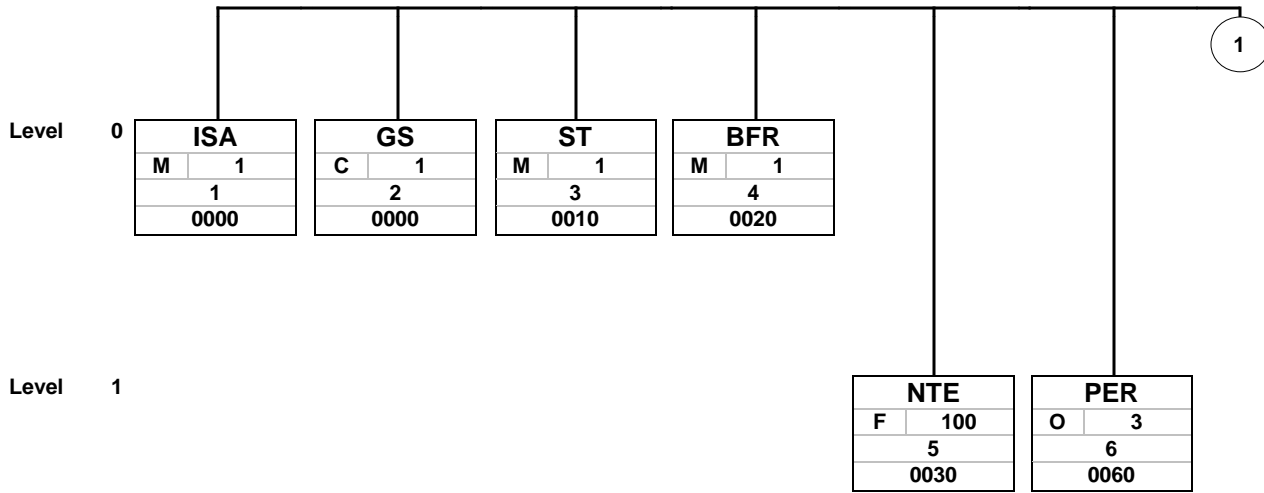
1 Structure / Table of Contents

| Counter | No | Tag | St | MaxOcc | Level | Content |
|---------|----|------------|----|--------|-------|---|
| 0000 | 1 | ISA | M | 1 | 0 | Interchange Control Header |
| 0000 | 2 | GS | C | 1 | 0 | Functional Group Header |
| 0010 | 3 | ST | M | 1 | 0 | Transaction Set Header |
| 0020 | 4 | BFR | M | 1 | 0 | Beginning Segment for Planning Schedule |
| 0030 | 5 | NTE | F | 100 | 1 | Note/Special Instruction |
| 0060 | 6 | PER | O | 3 | 1 | Administrative Communications Contact |
| 0190 | 7 | TD5 | O | 12 | 1 | Carrier Details (Routing Sequence/Transit Time) |
| 0220 | 8 | MAN | O | 10 | 1 | Marks and Numbers |
| 0230 | | N1 | O | 200 | 1 | N1-N4 |
| 0230 | 9 | N1 | M | 1 | 1 | Name |
| 0260 | 10 | N4 | O | 1 | 2 | Geographic Location |
| 0230 | | N1 | O | 200 | 1 | N1-N3-N4 |
| 0230 | 11 | N1 | M | 1 | 1 | Name |
| 0250 | 12 | N3 | O | 2 | 2 | Address Information |
| 0260 | 13 | N4 | O | 1 | 2 | Geographic Location |
| 0010 | | LIN | M | >1 | 1 | LIN-UIT-PID-PKG-PO4-REF-FST-SHP-SHP-SHP |
| 0010 | 14 | LIN | M | 1 | 1 | Item Identification |
| 0020 | 15 | UIT | O | 1 | 2 | Unit Detail |
| 0080 | 16 | PID | O | 1000 | 2 | Product/Item Description |
| 0110 | 17 | PKG | O | 25 | 2 | Marking, Packaging, Loading |
| 0120 | 18 | PO4 | O | 1 | 2 | Item Physical Details |
| 0140 | 19 | REF | O | 12 | 2 | Reference Numbers |
| 0410 | | FST | O | >1 | 2 | FST |
| 0410 | 20 | FST | M | 1 | 2 | Forecast Schedule |
| 0470 | | SHP | O | 25 | 2 | SHP-REF |
| 0470 | 21 | SHP | M | 1 | 2 | Shipped/Received Information |
| 0480 | 22 | REF | O | 5 | 3 | Reference Numbers |
| 0470 | | SHP | O | 25 | 2 | SHP |
| 0470 | 23 | SHP | M | 1 | 2 | Shipped/Received Information |
| 0010 | 24 | CTT | O | 1 | 0 | Transaction Totals |
| 0020 | 25 | SE | M | 1 | 0 | Transaction Set Trailer |
| 0000 | 26 | GE | C | 1 | 0 | Functional Group Trailer |
| 0000 | 27 | IEA | M | 1 | 0 | Interchange Control Trailer |

No = Consecutive segment number
 MaxOcc = Maximum occurrence of the segment/group
 Counter = Counter of segment/group within the standard

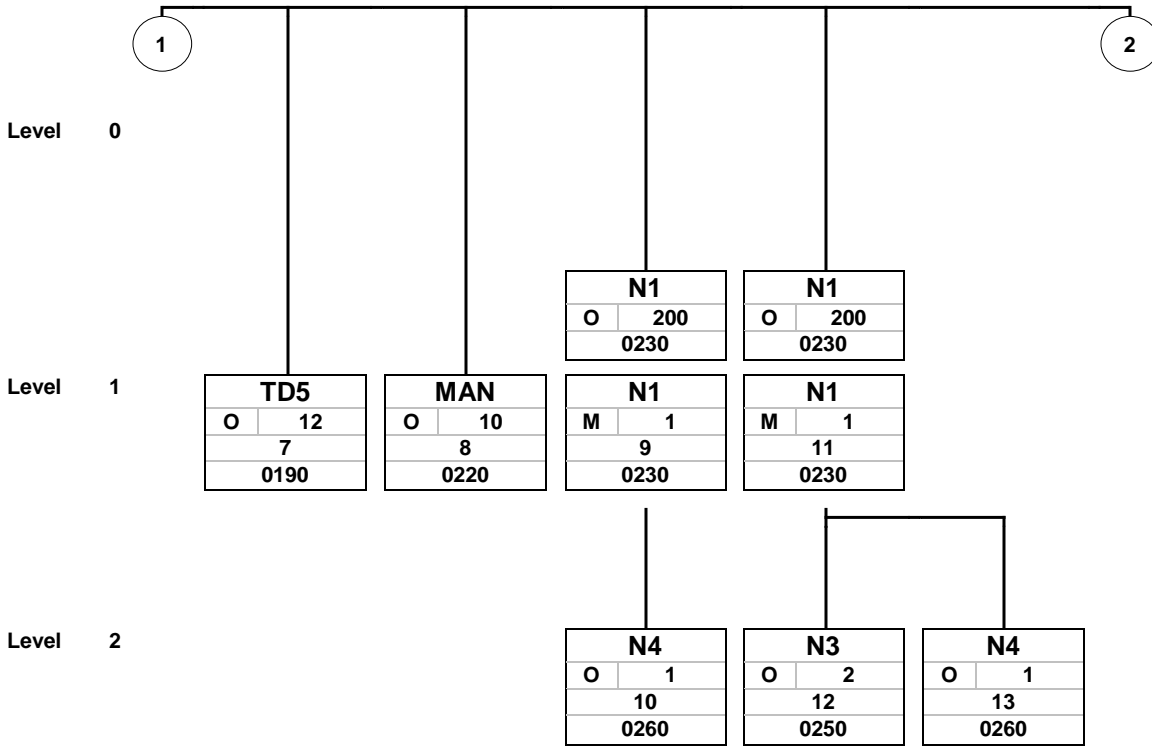
St = Status (M=Mandatory, R=Required, C=Conditional,
 O=Optional, F=Floating, D=Dependent, A=Advised,
 S=Situational, X=Not used, N=Not recommended)

2 Branching Diagram of Used Segments/Groups



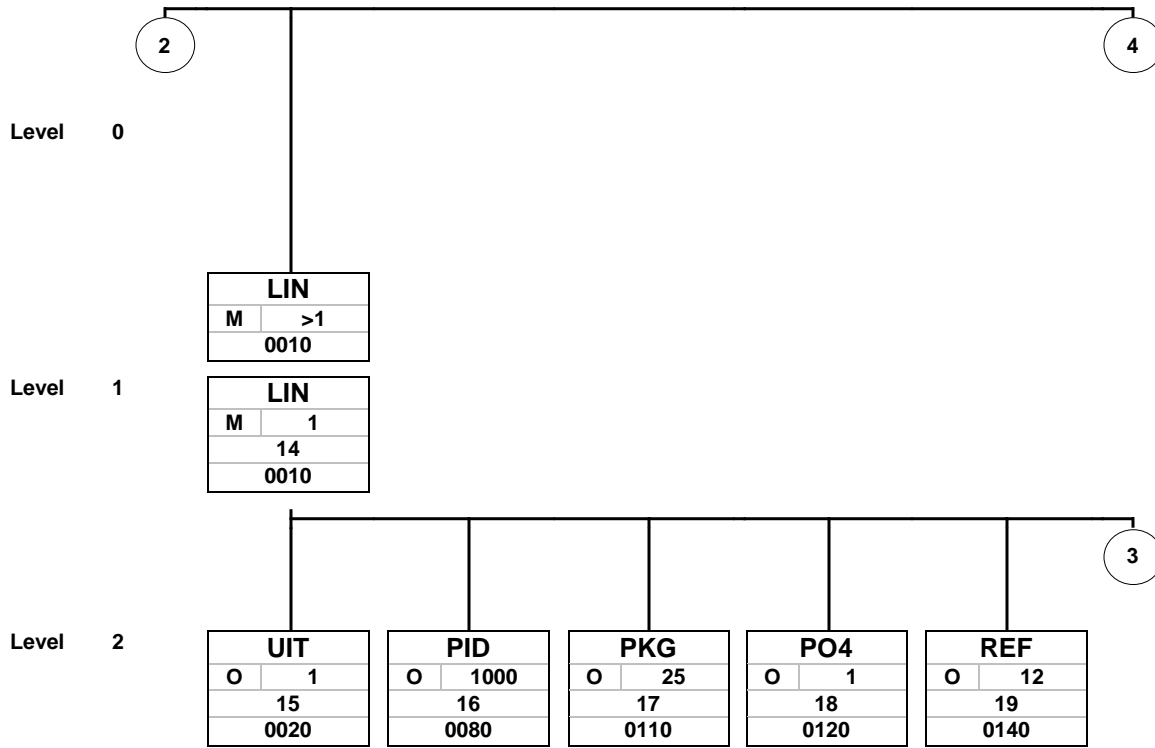
| |
|-----------|
| Tag |
| St MaxOcc |
| No |
| Counter |

Tag = Segment/Group Tag
 St = Status (M=Mandatory, R=Required, C=Conditional, O=Optional, F=Floating, D=Dependent, A=Advised, S=Situational, X=Not used, N=Not recommended)
 MaxOcc = Maximum occurrence of the segment/group
 No = Consecutive segment number, Counter = Counter of segment/group within the standard



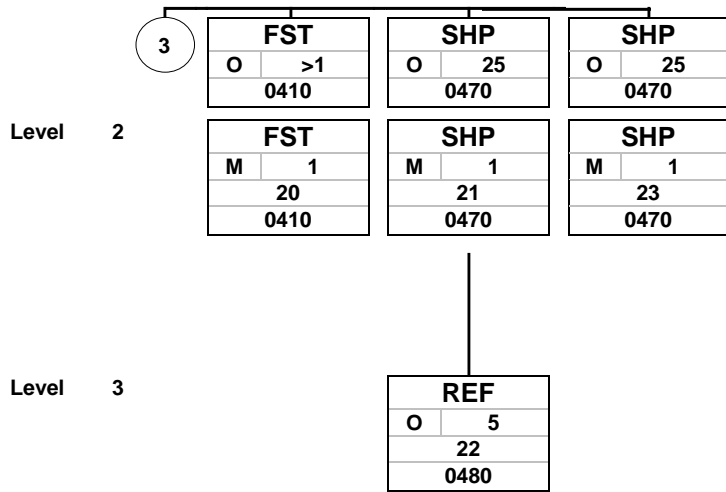
| |
|-----------|
| Tag |
| St MaxOcc |
| No |
| Counter |

Tag = Segment/Group Tag
 St = Status (M=Mandatory, R=Required, C=Conditional, O=Optional, F=Floating, D=Dependent,
 A=Advised, S=Situational, X=Not used, N=Not recommended)
 MaxOcc = Maximum occurrence of the segment/group
 No = Consecutive segment number, Counter = Counter of segment/group within the standard



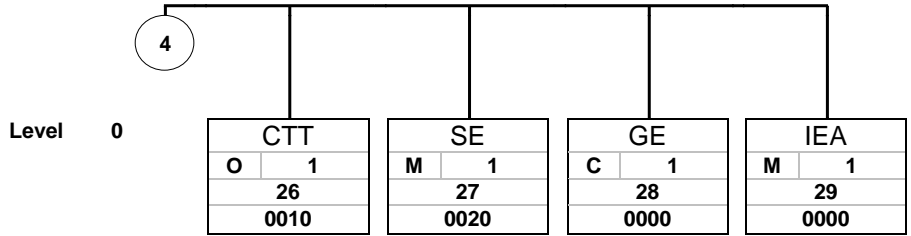
| |
|-----------|
| Tag |
| St MaxOcc |
| No |
| Counter |

Tag = Segment/Group Tag
 St = Status (M=Mandatory, R=Required, C=Conditional, O=Optional, F=Floating, D=Dependent, A=Advised, S=Situational, X=Not used, N=Not recommended)
 MaxOcc = Maximum occurrence of the segment/group
 No = Consecutive segment number, Counter = Counter of segment/group within the standard



| |
|-----------|
| Tag |
| St MaxOcc |
| No |
| Counter |

Tag = Segment/Group Tag
 St = Status (M=Mandatory, R=Required, C=Conditional, O=Optional, F=Floating, D=Dependent, A=Advised, S=Situational, X=Not used, N=Not recommended)
 MaxOcc = Maximum occurrence of the segment/group
 No = Consecutive segment number, Counter = Counter of segment/group within the standard



| |
|-----------|
| Tag |
| St MaxOcc |
| No |
| Counter |

Tag = Segment/Group Tag
 St = Status (M=Mandatory, R=Required, C=Conditional, O=Optional, F=Floating, D=Dependent, A=Advised, S=Situational, X=Not used, N=Not recommended)
 MaxOcc = Maximum occurrence of the segment/group
 No = Consecutive segment number, Counter = Counter of segment/group within the standard

3 Segments

3.1 ISA Segment

| Counter | No | Tag | St | MaxOcc | Level | Name |
|---------|----|------------|----|--------|-------|----------------------------|
| 0000 | 1 | ISA | M | 1 | 0 | Interchange Control Header |

| | | Standard | Implementation | |
|-----|--|------------|----------------|--|
| Tag | Name | St Format | St Format | Usage / Remark |
| ISA | | | | |
| I01 | Authorization Information Qualifier | M ID 2/2 | M ID 2/2 | 00 No Authorization Information Present (No Meaningful Information in I02) |
| I02 | Authorization Information | M AN 10/10 | M AN 10/10 | |
| I03 | Security Information Qualifier | M ID 2/2 | M ID 2/2 | 00 No Security Information Present (No Meaningful Information in I04) |
| I04 | Security Information | M AN 10/10 | M AN 10/10 | |
| I05 | Interchange ID Qualifier | M ID 2/2 | M ID 2/2 | Qualifiers: MBUSI Qualifier ID is ZZ- Mutually Defined |
| I06 | Interchange Sender ID | M AN 15/15 | M AN 15/15 | MBUSI Sender ID for Production: MBUS MBUS002 |
| I05 | Interchange ID Qualifier | M ID 2/2 | M ID 2/2 | Qualifiers: Supplier will provide MBUSI their 2 digit qualifier ID. |
| I07 | Interchange Receiver ID | M AN 15/15 | M AN 15/15 | Supplier will provide MBUSI their Interchange Receiver ID |
| I08 | Interchange Date | M DT 6/6 | M DT 6/6 | The date is in year month day (YYDDMM) format |
| I09 | Interchange Time | M TM 4/4 | M TM 4/4 | The local time the ISA was created, it is in HHMM format and the valid ranges are 0000 to 2359 |
| I10 | Interchange Control Standards Identifier | M ID 1/1 | M ID 1/1 | U U.S. EDI Community of ASC X12, TDCC, and UCS |
| I11 | Interchange Control Version Number | M ID 5/5 | M ID 5/5 | 00200Standard Issued as ANSI X12.5-1987 |
| I12 | Interchange Control Number | M NO 9/9 | M NO 9/9 | |
| I13 | Acknowledgment Requested | M ID 1/1 | M ID 1/1 | 0 No Acknowledgment Requested |
| I14 | Test Indicator | M ID 1/1 | M ID 1/1 | Definition: T-Test, P-Production |
| I15 | Component Element Separator | M AN 1/1 | M AN 1/1 | Sub Element Separator |

Remarks:

- Value for field I06 Interchange Sender ID will be "MBUS MBUS002" for all messages
- Field I07 will hold the MBUSI partner number (supplier number of receiving party in the MBUSI system) and hold a 10 digit number

Example:

ISA*00* *00* *ZZ*MBUS MBUS002 *01*189202666 *140717*0940*U*00200*000001751*0*P*>~

No = Consecutive segment number
 MaxOcc = Maximum occurrence of the segment/group
 Counter = Counter of segment/group within the standard

St = Status (M=Mandatory, R=Required, C=Conditional, O=Optional, F=Floating, D=Dependent, A=Advised, S=Situational, X=Not used, N=Not recommended)

3.2 GS Segment

| Counter | No | Tag | St | MaxOcc | Level | Name |
|---------|----|-----------|----|--------|-------|-------------------------|
| 0000 | 2 | GS | C | 1 | 0 | Functional Group Header |

| Standard | | | Implementation | | |
|----------|--|-----------|----------------|--|--|
| Tag | Name | St Format | St Format | Usage / Remark | |
| GS | | | | | |
| 479 | Functional Identifier Code | M ID 2/2 | M ID 2/2 | PS Planning Schedule with Release Capability (830) | |
| 142 | Application Sender's Code | M AN 2/15 | M AN 2/15 | MBUS002A | |
| 124 | Application Receiver's Code | M AN 2/15 | M AN 2/15 | Supplier number without preceding zeros | |
| 373 | Date | M DT 6/6 | M DT 6/6 | | |
| 337 | Time | M TM 4/8 | M TM 4/8 | | |
| 28 | Group Control Number | M NO 1/9 | M NO 1/9 | | |
| 455 | Responsible Agency Code | M ID 1/2 | M ID 1/2 | X Accredited Standards Committee X12 | |
| 480 | Version / Release / Industry Identifier Code | M AN 1/12 | M AN 1/12 | 003050 Draft Standards Approved for Publication by ASC X12 Procedures Review Board through October 1994 | |

Remarks:

Field GS03 SUPPLIER - is your supplier number as defined by MBUSI

Example:

GS*PS*MBUS002A*SUPPLIER*030430*1304*7156*X*003050~

No = Consecutive segment number
 MaxOcc = Maximum occurrence of the segment/group
 Counter = Counter of segment/group within the standard

St = Status (M=Mandatory, R=Required, C=Conditional,
 O=Optional, F=Floating, D=Dependent, A=Advised,
 S=Situational, X=Not used, N=Not recommended)

3.3 ST Segment

| Counter | No | Tag | St | MaxOcc | Level | Name |
|---------|----|-----------|----|--------|-------|------------------------|
| 0010 | 3 | ST | M | 1 | 0 | Transaction Set Header |

| Standard | | | Implementation | |
|----------|---------------------------------|-----------|----------------|---|
| Tag | Name | St Format | St Format | Usage / Remark |
| ST | | | | |
| 143 | Transaction Set Identifier Code | M ID 3/3 | M ID 3/3 | 830 X12.14 Planning Schedule with Release Capability |
| 329 | Transaction Set Control Number | M AN 4/9 | M AN 4/9 | |

Remark:

Field ST02 The value from this field can be reference in case of errors.

Example:

ST*830*299728~

No = Consecutive segment number
 MaxOcc = Maximum occurrence of the segment/group
 Counter = Counter of segment/group within the standard

St = Status (M=Mandatory, R=Required, C=Conditional,
 O=Optional, F=Floating, D=Dependent, A=Advised,
 S=Situational, X=Not used, N=Not recommended)

3.4 BFR Segment

| Counter | No | Tag | St | MaxOcc | Level | Name |
|---------|----|------------|----|--------|-------|---|
| 0020 | 4 | BFR | M | 1 | 0 | Beginning Segment for Planning Schedule |

| Standard | | | Implementation | |
|----------|------------------------------|-----------|----------------|---|
| Tag | Name | St Format | St Format | Usage / Remark |
| BFR | | | | |
| 353 | Transaction Set Purpose Code | M ID 2/2 | M ID 2/2 | 05 Replace Replace |
| 127 | Reference Number | C AN 1/30 | N | Not used |
| 328 | Release Number | C AN 1/30 | C AN 1/30 | MBUSI number for forecast (running number) |
| 675 | Schedule Type Qualifier | M ID 2/2 | M ID 2/2 | DL Delivery Based |
| 676 | Schedule Quantity Qualifier | M ID 1/1 | M ID 1/1 | A Actual Discrete Quantities |
| 373 | Date | M DT 6/6 | M DT 6/6 | Delivery Schedule Date |
| 373 | Date | O DT 6/6 | O DT 6/6 | Delivery schedule valid to date |
| 373 | Date | M DT 6/6 | M DT 6/6 | MBUSI scheduling agreement date |
| 373 | Date | O DT 6/6 | O DT 6/6 | Not used |
| 367 | Contract Number | O AN 1/30 | N | Not used |
| 324 | Purchase Order Number | O AN 1/22 | O AN 1/22 | Scheduling agreement number |
| 783 | Planning Schedule Type Code | O ID 2/2 | N | Not used |
| 306 | Action Code | O ID 1/2 | N | Not used |

Remark:

IMPORTANT: The material release is sent for each combination of scheduling agreement number (BFR11) and Scheduling agreement item (LIN01). Both have to be referenced in the 856 ASN message

Field BFR11 This field will be repeated in field LIN07 and has to be referenced in the 856 transmission in field LIN-PRF01.

Example:

BFR*05**73*DL*A*150601*151130*150607***5500061079~

No = Consecutive segment number
 MaxOcc = Maximum occurrence of the segment/group
 Counter = Counter of segment/group within the standard

St = Status (M=Mandatory, R=Required, C=Conditional,
 O=Optional, F=Floating, D=Dependent, A=Advised,
 S=Situational, X=Not used, N=Not recommended)

3.5 NTE Segment

| Counter | No | Tag | St | MaxOcc | Level | Name |
|---------|----|------------|----|--------|-------|--------------------------|
| 0030 | 5 | NTE | F | 100 | 1 | Note/Special Instruction |

| Standard | | | Implementation | |
|----------|---------------------|-----------|----------------|---|
| Tag | Name | St Format | St Format | Usage / Remark |
| NTE | | | | |
| 363 | Note Reference Code | O ID 3/3 | O ID 3/3 | LIN Line Item |
| 352 | Description | M AN 1/80 | M AN 1/80 | Special remarks regarding delivery schedule |

Remark:

Example:

NTE*LIN*THIS TEXT CAN HOLD REMARKS OR NOTES REGARDING THIS RELEASE~

No = Consecutive segment number
 MaxOcc = Maximum occurrence of the segment/group
 Counter = Counter of segment/group within the standard

St = Status (M=Mandatory, R=Required, C=Conditional,
 O=Optional, F=Floating, D=Dependent, A=Advised,
 S=Situational, X=Not used, N=Not recommended)

3.6 PER Segment

| Counter | No | Tag | St | MaxOcc | Level | Name |
|---------|----|------------|----|--------|-------|--|
| 0060 | 6 | PER | O | 3 | 1 | Administrative Communications Contact |

| Standard | | | Implementation | |
|----------|--------------------------------|-----------|----------------|--|
| Tag | Name | St Format | St Format | Usage / Remark |
| PER | | | | |
| 366 | Contact Function Code | M ID 2/2 | M ID 2/2 | OD Order Department |
| 93 | Name | O AN 1/35 | O AN 1/35 | Internal code and Name of MRP controller |
| 365 | Communication Number Qualifier | C ID 2/2 | C ID 2/2 | IT International Telephone |
| 364 | Communication Number | C AN 1/80 | C AN 1/80 | Phone number of MRP controller |
| 365 | Communication Number Qualifier | C ID 2/2 | N | Not used |
| 364 | Communication Number | C AN 1/80 | N | Not used |
| 365 | Communication Number Qualifier | C ID 2/2 | N | Not used |
| 364 | Communication Number | C AN 1/80 | N | Not used |
| 443 | Contact Inquiry Reference | O AN 1/20 | N | Not used |

Remark:

Field PER02 Holds MRP code and name of MRP controller responsible for this part.

Field PER04 Phone number of MRP controller (may not hold area code 205)

Example:

PER*OD*159-Guadalupe Polo*IT*507-3560~

No = Consecutive segment number
 MaxOcc = Maximum occurrence of the segment/group
 Counter = Counter of segment/group within the standard

St = Status (M=Mandatory, R=Required, C=Conditional,
 O=Optional, F=Floating, D=Dependent, A=Advised,
 S=Situational, X=Not used, N=Not recommended)

3.7 TD5 Segment

| Counter | No | Tag | St | MaxOcc | Level | Name |
|---------|----|------------|----|--------|-------|---|
| 0190 | 7 | TD5 | O | 12 | 1 | Carrier Details (Routing Sequence/Transit Time) |

| Standard | | | Implementation | |
|----------|----------------------------------|-----------|----------------|---|
| Tag | Name | St Format | St Format | Usage / Remark |
| TD5 | | | | |
| 133 | Routing Sequence Code | O ID 1/2 | N | Not used |
| 66 | Identification Code Qualifier | C ID 1/2 | N | Not used |
| 67 | Identification Code | C AN 2/20 | N | Not used |
| 91 | Transportation Method/Type Code | C ID 1/2 | C ID 1/2 | A Air H Customer Pickup J Motor R Rail S Ocean |
| 387 | Routing | C AN 1/35 | N | Not used |
| 368 | Shipment/Order Status Code | C ID 2/2 | N | Not used |
| 309 | Location Qualifier | O ID 1/2 | N | Not used |
| 310 | Location Identifier | C AN 1/30 | N | Not used |
| 731 | Transit Direction Code | O ID 2/2 | N | Not used |
| 732 | Transit Time Direction Qualifier | O ID 2/2 | N | Not used |
| 733 | Transit Time | C R 1/4 | N | Not used |
| 284 | Service Level Code | C ID 2/2 | N | Not used |

Remark:

Example:

TD5****J~

No = Consecutive segment number
 MaxOcc = Maximum occurrence of the segment/group
 Counter = Counter of segment/group within the standard

St = Status (M=Mandatory, R=Required, C=Conditional,
 O=Optional, F=Floating, D=Dependent, A=Advised,
 S=Situational, X=Not used, N=Not recommended)

3.8 MAN Segment

| Counter | No | Tag | St | MaxOcc | Level | Name |
|---------|----|------------|----|--------|-------|-------------------|
| 0220 | 8 | MAN | O | 10 | 1 | Marks and Numbers |

| Standard | | | Implementation | |
|----------|-----------------------------|-----------|----------------|---------------------------------------|
| Tag | Name | St Format | St Format | Usage / Remark |
| MAN | | | | |
| 88 | Marks and Numbers Qualifier | M ID 1/2 | M ID 1/2 | DZ Receiver Assigned Drop Zone |
| 87 | Marks and Numbers | M AN 1/45 | M AN 1/45 | Internal Route information |
| 87 | Marks and Numbers | O AN 1/45 | N | Not used |
| 88 | Marks and Numbers Qualifier | C ID 1/2 | N | Not used |
| 87 | Marks and Numbers | C AN 1/45 | N | Not used |
| 87 | Marks and Numbers | O AN 1/45 | N | Not used |

Remark:

Field MAN02 This Field may hold information like the internal KLT route that can be used to group different part numbers per pallet.

Example:

MAN*DZ*X030I06~

No = Consecutive segment number
 MaxOcc = Maximum occurrence of the segment/group
 Counter = Counter of segment/group within the standard

St = Status (M=Mandatory, R=Required, C=Conditional,
 O=Optional, F=Floating, D=Dependent, A=Advised,
 S=Situational, X=Not used, N=Not recommended)

3.9 N1 Segment

| Counter | No | Tag | St | MaxOcc | Level | Name |
|---------|----|-----------|----|--------|-------|--------------|
| 0230 | | N1 | O | 200 | 1 | N1-N4 |
| 0230 | 9 | N1 | M | 1 | 1 | Name |

| Standard | | | Implementation | |
|----------|-------------------------------|-----------|----------------|--|
| Tag | Name | St Format | St Format | Usage / Remark |
| N1 | | | | |
| 98 | Entity Identifier Code | M ID 2/2 | M ID 2/2 | ST Ship To |
| 93 | Name | C AN 1/35 | C AN 1/35 | Name of customer |
| 66 | Identification Code Qualifier | C ID 1/2 | C ID 1/2 | 92 Assigned by Buyer or Buyer's Agent |
| 67 | Identification Code | C AN 2/20 | C AN 2/20 | Customer plant code |
| 706 | Entity Relationship Code | O ID 2/2 | N | Not used |
| 98 | Entity Identifier Code | O ID 2/2 | N | Not used |

Remark:

Field N104 Field has to be referenced in 856 transmissions for each LIN segment in field LIN-N104.

Example:

N1*ST*MBUSI - Direct Materials*92*8010~

No = Consecutive segment number
 MaxOcc = Maximum occurrence of the segment/group
 Counter = Counter of segment/group within the standard

St = Status (M=Mandatory, R=Required, C=Conditional,
 O=Optional, F=Floating, D=Dependent, A=Advised,
 S=Situational, X=Not used, N=Not recommended)

3.10 N4 Segment

| Counter | No | Tag | St | MaxOcc | Level | Name |
|---------|------------|-----------|----|--------|-------|----------------------------|
| | 0230 | N1 | O | 200 | 1 | N1-N4 |
| | 0260 10 | N4 | O | 1 | 2 | Geographic Location |

| Standard | | | Implementation | |
|----------|------------------------|-----------|----------------|----------------------------------|
| Tag | Name | St Format | St Format | Usage / Remark |
| N4 | | | | |
| 19 | City Name | O AN 2/30 | N | City of customer address |
| 156 | State or Province Code | O ID 2/2 | N | State of customer address |
| 116 | Postal Code | O ID 3/11 | N | ZIP code of customer address |
| 26 | Country Code | O ID 2/3 | N | Country of customer address |
| 309 | Location Qualifier | C ID 1/2 | C ID 1/2 | DE Destination (Shipping) |
| 310 | Location Identifier | O AN 1/30 | O AN 1/30 | customer storage location |

Remark:

Field N406 Field holds the value of the so-called storage location in MBUSI's ERP system. The value is specific per combination of scheduling agreement and scheduling agreement item. Please be aware that for example not every scheduling agreement item with number 00100 references storage location PCC2. This is a dynamic value and shall not be hardcoded!

Example:

N4*Vance*AL*354909310*US*DE*PCC2~

No = Consecutive segment number
 MaxOcc = Maximum occurrence of the segment/group
 Counter = Counter of segment/group within the standard

St = Status (M=Mandatory, R=Required, C=Conditional,
 O=Optional, F=Floating, D=Dependent, A=Advised,
 S=Situational, X=Not used, N=Not recommended)

3.11 N1 Segment

| Counter | No | Tag | St | MaxOcc | Level | Name |
|---------|------------|-----------|----|--------|-------|-----------------|
| | 0230 | N1 | O | 200 | 1 | N1-N3-N4 |
| | 0230 11 | N1 | M | 1 | 1 | Name |

| Standard | | | Implementation | |
|----------|-------------------------------|-----------|----------------|--|
| Tag | Name | St Format | St Format | Usage / Remark |
| N1 | | | | |
| 98 | Entity Identifier Code | M ID 2/2 | M ID 2/2 | SE Selling Party |
| 93 | Name | C AN 1/35 | C AN 1/35 | Name of supplier |
| 66 | Identification Code Qualifier | C ID 1/2 | C ID 1/2 | 92 Assigned by Buyer or Buyer's Agent |
| 67 | Identification Code | C AN 2/20 | C AN 2/20 | Supplier number |
| 706 | Entity Relationship Code | O ID 2/2 | N | Not used |
| 98 | Entity Identifier Code | O ID 2/2 | N | Not used |

Remark:

N104: This field will hold the partner number (supplier number in the MBUSI system) that MBUSI assigned for his supplier and hold a 10 digit number. This number has to be printed on each label when the parts are shipped to MBUSI.

Example:

N1*SE*INTEVA PRODUCTS LLC*92*015437320B~

No = Consecutive segment number
 MaxOcc = Maximum occurrence of the segment/group
 Counter = Counter of segment/group within the standard

St = Status (M=Mandatory, R=Required, C=Conditional,
 O=Optional, F=Floating, D=Dependent, A=Advised,
 S=Situational, X=Not used, N=Not recommended)

3.12 N3 Segment

| Counter | No | Tag | St | MaxOcc | Level | Name |
|---------|----|-----------|----|--------|-------|----------------------------|
| 0230 | | N1 | O | 200 | 1 | N1-N3-N4 |
| 0250 | 12 | N3 | O | 2 | 2 | Address Information |

| Standard | | | Implementation | |
|----------|---------------------|-----------|----------------|----------------------------|
| Tag | Name | St Format | St Format | Usage / Remark |
| N3 | | | | |
| 166 | Address Information | M AN 1/35 | M AN 1/35 | Street of supplier address |
| 166 | Address Information | O AN 1/35 | N | Not used |

Remark:

Example:

N3*SUITE 3215 75 REMITTANCE DRIVE~

No = Consecutive segment number
 MaxOcc = Maximum occurrence of the segment/group
 Counter = Counter of segment/group within the standard

St = Status (M=Mandatory, R=Required, C=Conditional,
 O=Optional, F=Floating, D=Dependent, A=Advised,
 S=Situational, X=Not used, N=Not recommended)

3.13 N4 Segment

| Counter | No | Tag | St | MaxOcc | Level | Name |
|---------|----|-----------|----|--------|-------|----------------------------|
| 0230 | | N1 | O | 200 | 1 | N1-N3-N4 |
| 0260 | 13 | N4 | O | 1 | 2 | Geographic Location |

| Standard | | | Implementation | |
|----------|------------------------|-----------|----------------|------------------------------|
| Tag | Name | St Format | St Format | Usage / Remark |
| N4 | | | | |
| 19 | City Name | O AN 2/30 | O AN 2/30 | City of supplier address |
| 156 | State or Province Code | O ID 2/2 | O ID 2/2 | State of supplier address |
| 116 | Postal Code | O ID 3/11 | O ID 3/11 | ZIP code of supplier address |
| 26 | Country Code | O ID 2/3 | O ID 2/3 | Country of customer address |
| 309 | Location Qualifier | C ID 1/2 | N | Not used |
| 310 | Location Identifier | O AN 1/30 | N | Not used |

Remark:

Example:

N4*CHICAGO*IL*606753215*US~

No = Consecutive segment number
 MaxOcc = Maximum occurrence of the segment/group
 Counter = Counter of segment/group within the standard

St = Status (M=Mandatory, R=Required, C=Conditional,
 O=Optional, F=Floating, D=Dependent, A=Advised,
 S=Situational, X=Not used, N=Not recommended)

3.14 LIN Segment

| Counter | No | Tag | St | MaxOcc | Level | Name |
|---------|----|------------|----|--------|-------|--|
| 0010 | | LIN | M | >1 | 1 | LIN-UIT-PID-PKG-PO4-REF-FST-SHP |
| 0010 | 14 | LIN | M | 1 | 1 | Item Identification |

| Standard | | | Implementation | |
|----------|------------------------------|-----------|----------------|--|
| Tag | Name | St Format | St Format | Usage / Remark |
| LIN | | | | |
| 350 | Assigned Identification | O AN 1/11 | O AN 1/6 | Scheduling agreement item |
| 235 | Product/Service ID Qualifier | M ID 2/2 | M ID 2/2 | BP Buyer's Part Number |
| 234 | Product/Service ID | M AN 1/40 | M AN 1/22 | Customer part no. |
| 235 | Product/Service ID Qualifier | C ID 2/2 | C ID 2/2 | PO Purchase Order Number |
| 234 | Product/Service ID | C AN 1/40 | C AN 1/10 | Scheduling agreement number (equal to BFR11) |
| 235 | Product/Service ID Qualifier | C ID 2/2 | C ID 2/2 | RN Release Number |
| 234 | Product/Service ID | C AN 1/40 | C AN 1/40 | Customer number for forecast (running number) (equal to BFR03) |
| 235 | Product/Service ID Qualifier | C ID 2/2 | C ID 2/2 | RC Returnable Container No. |
| 234 | Product/Service ID | C AN 1/40 | C AN 1/40 | Customer packaging material no. |
| 235 | Product/Service ID Qualifier | C ID 2/2 | N | Not used |
| 234 | Product/Service ID | C AN 1/40 | N | Not used |

Remark:

- Field LIN01 This field should hold the scheduling agreement item number and has to be referenced together with the scheduling agreement number (from LIN05) in the 856 transmission in LIN-PRF05. A material release is issued per combination of scheduling agreement and scheduling agreement item. Each supplier can receive several separate material releases for the same part number but for different scheduling agreement items. Each item references a different storage location (N1-N406) and dock code/unloading point (LIN-REF02).
 → **Information item number, storage location and dock code are dynamic and shall not be hardcoded!**
- Field LIN03 This field holds the MBUSI part number that has to be referenced in the 856 transmission in field LIN03 and printed human readable and barcoded with qualifier P on each Single and Master label when the parts are shipped to MBUSI.
 → please see also 4.2 Format of MBUSI part number from LIN03

Example:

LIN*00100*BP*A1665050461*PO*5500061079*RN*73*RC*T55010~

No = Consecutive segment number
 MaxOcc = Maximum occurrence of the segment/group
 Counter = Counter of segment/group within the standard

St = Status (M=Mandatory, R=Required, C=Conditional, O=Optional, F=Floating, D=Dependent, A=Advised, S=Situational, X=Not used, N=Not recommended)

3.15 UIT Segment

| Counter | No | Tag | St | MaxOcc | Level | Name |
|---------|----|-----|----|--------|-------|---------------------------------|
| 0010 | | LIN | M | >1 | 1 | LIN-UIT-PID-PKG-PO4-REF-FST-SHP |
| 0020 | 15 | UIT | O | 1 | 2 | Unit Detail |

| Standard | | | Implementation | | |
|----------|------------------------------------|-----------|----------------|------------------------|--|
| Tag | Name | St Format | St Format | Usage / Remark | |
| UIT | | | | | |
| C001 | Composite Unit of Measure | M | M | | |
| 355 | Unit or Basis for Measurement Code | M ID 2/2 | M ID 2/2 | Customer quantity unit | |

Remark:

Field UIT02 This field holds the allowable Units of Measure and Codes for an ANSI X12 transmission. This code shall be transmitted back in each SN103 field.

Link with allowed unit of measure codes: http://das.ct.gov/Purchase/Info/ANSI_UNITS_OF_MEASURE.pdf

Example:

UIT*EA~

No = Consecutive segment number
 MaxOcc = Maximum occurrence of the segment/group
 Counter = Counter of segment/group within the standard

St = Status (M=Mandatory, R=Required, C=Conditional,
 O=Optional, F=Floating, D=Dependent, A=Advised,
 S=Situational, X=Not used, N=Not recommended)

3.16 PID Segment

| Counter | No | Tag | St | MaxOcc | Level | Name |
|---------|----|------------|----|--------|-------|---------------------------------|
| 0010 | | LIN | M | >1 | 1 | LIN-UIT-PID-PKG-PO4-REF-FST-SHP |
| 0080 | 16 | PID | O | 1000 | 2 | Product/Item Description |

| Standard | | | Implementation | |
|----------|-------------------------------------|-----------|----------------|----------------------|
| Tag | Name | St Format | St Format | Usage / Remark |
| PID | | | | |
| 349 | Item Description Type | M ID 1/1 | M ID 1/1 | F Free-form |
| 750 | Product/Process Characteristic Code | O ID 2/3 | N | Not used |
| 559 | Agency Qualifier Code | C ID 2/2 | N | Not used |
| 751 | Product Description Code | C AN 1/12 | N | Not used |
| 352 | Description | C AN 1/80 | C AN 1/80 | Material description |
| 752 | Surface/Layer/Position Code | O ID 2/2 | N | Not used |
| 822 | Source Subqualifier | O AN 1/15 | N | Not used |
| 1073 | Yes/No Condition or Response Code | O ID 1/1 | N | Not used |

Remark:

PID05 This field contains the material short text that should be printed on each Single and Master Label when this part is shipped to MBUSI.

Example:

PID*F***AIR DUCT LH / FLANSCH / MOLA-KUEHLSCHLAU~

No = Consecutive segment number
 MaxOcc = Maximum occurrence of the segment/group
 Counter = Counter of segment/group within the standard

St = Status (M=Mandatory, R=Required, C=Conditional,
 O=Optional, F=Floating, D=Dependent, A=Advised,
 S=Situational, X=Not used, N=Not recommended)

3.17 PKG Segment

| Counter | No | Tag | St | MaxOcc | Level | Name |
|---------|----|------------|----|--------|-------|---------------------------------|
| 0010 | | LIN | M | >1 | 1 | LIN-UIT-PID-PKG-PO4-REF-FST-SHP |
| 0110 | 17 | PKG | O | 25 | 2 | Marking, Packaging, Loading |

| Standard | | | Implementation | |
|----------|-------------------------------|-----------|----------------|--------------------------------|
| Tag | Name | St Format | St Format | Usage / Remark |
| PKG | | | | |
| 349 | Item Description Type | C ID 1/1 | C ID 1/1 | F Free-form |
| 753 | Packaging Characteristic Code | O ID 1/5 | O ID 1/5 | 35 Type of Package |
| 559 | Agency Qualifier Code | C ID 2/2 | N | Not used |
| 754 | Packaging Description Code | C AN 1/7 | N | Not used |
| 352 | Description | C AN 1/80 | C AN 1/80 | Packaging material description |
| 400 | Unit Load Option Code | C ID 2/2 | N | Not used |

Remark:

PKG05 The field holds the material description of the packaging material that shall be used when the parts are shipped.

Example:

PKG*F*35***Standard Returnable Hand Held Tote~

No = Consecutive segment number
 MaxOcc = Maximum occurrence of the segment/group
 Counter = Counter of segment/group within the standard

St = Status (M=Mandatory, R=Required, C=Conditional,
 O=Optional, F=Floating, D=Dependent, A=Advised,
 S=Situational, X=Not used, N=Not recommended)

3.18 PO4 Segment

| Counter | No | Tag | St | MaxOcc | Level | Name |
|---------|----|------------|----|--------|-------|---------------------------------|
| 0010 | | LIN | M | >1 | 1 | LIN-UIT-PID-PKG-PO4-REF-FST-SHP |
| 0120 | 18 | PO4 | O | 1 | 2 | Item Physical Details |

| Standard | | | Implementation | |
|----------|------------------------------------|-----------|----------------|---|
| Tag | Name | St Format | St Format | Usage / Remark |
| PO4 | | | | |
| 356 | Pack | O N0 1/6 | N | Not used |
| 357 | Size | C R 1/8 | C R 1/8 | Capacity |
| 355 | Unit or Basis for Measurement Code | C ID 2/2 | C ID 2/2 | EA Each Unit of Measure of packaged goods |

Remark:

PO402 This field holds the number of parts per packaging material according to the packaging instruction.

Example:

PO4**90*EA~

No = Consecutive segment number
 MaxOcc = Maximum occurrence of the segment/group
 Counter = Counter of segment/group within the standard

St = Status (M=Mandatory, R=Required, C=Conditional,
 O=Optional, F=Floating, D=Dependent, A=Advised,
 S=Situational, X=Not used, N=Not recommended)

3.19 REF Segment

| Counter | No | Tag | St | MaxOcc | Level | Name |
|---------|----|------------|----|--------|-------|---------------------------------|
| 0010 | | LIN | M | >1 | 1 | LIN-UIT-PID-PKG-PO4-REF-FST-SHP |
| 0140 | 19 | REF | O | 12 | 2 | Reference Numbers |

| Standard | | | Implementation | |
|----------|----------------------------|-----------|----------------|-----------------------|
| Tag | Name | St Format | St Format | Usage / Remark |
| REF | | | | |
| 128 | Reference Number Qualifier | M ID 2/2 | M ID 2/2 | DK Dock Number |
| 127 | Reference Number | C AN 1/30 | C AN 1/5 | Unloading point |
| 352 | Description | C AN 1/80 | N | Not used |

Remark:

REF02 This field contains the unloading point/receiving dock. Each 856 transmission shall send a separate 856 message per unloading point (split criteria for delivery note)

Example:

REF*DK*W1H1~

No = Consecutive segment number
 MaxOcc = Maximum occurrence of the segment/group
 Counter = Counter of segment/group within the standard

St = Status (M=Mandatory, R=Required, C=Conditional,
 O=Optional, F=Floating, D=Dependent, A=Advised,
 S=Situational, X=Not used, N=Not recommended)

3.20 FST Segment

| Counter | No | Tag | St | MaxOcc | Level | Name |
|---------|----|------------|----|--------|-------|--------------------------|
| 0410 | | FST | O | >1 | 2 | FST |
| 0410 | 20 | FST | M | 1 | 2 | Forecast Schedule |

| Standard | | | Implementation | |
|----------|-----------------------------|-----------|----------------|--|
| Tag | Name | St Format | St Format | Usage / Remark |
| FST | | | | |
| 380 | Quantity | M R 1/15 | M R 1/15 | Scheduled quantity |
| 680 | Forecast Qualifier | M ID 1/1 | M ID 1/1 | A Past Due immediate D Planning Z Backlog |
| 681 | Forecast Timing Qualifier | M ID 1/1 | M ID 1/1 | D Discrete F Interval with start to end date M Monthly Bucket (Calendar Months) W Weekly Bucket (Monday through Sunday) |
| 373 | Date | M DT 6/6 | M DT 6/6 | Scheduled date from |
| 373 | Date | O DT 6/6 | O DT 6/6 | Scheduled date to |
| 374 | Date/Time Qualifier | C ID 3/3 | C ID 3/3 | 002 Delivery Requested |
| 337 | Time | C TM 4/8 | C TM 4/8 | Scheduled time (not used) |
| 128 | Reference Number Qualifier | C ID 2/2 | N | Not used |
| 127 | Reference Number | C AN 1/30 | N | Not used |
| 783 | Planning Schedule Type Code | O ID 2/2 | N | Not used |

Remark:

- Field FST01 Quantities sent in the release are Discrete quantities (indicated by FST03). The release only holds the current cumulative quantity received in segment SHP.
- Field FST02 If backlog exists the first FST segment in the transmission will have a qualifier Z. The backlog includes quantities in transit that did not reach MBUSI's plant yet. The quantities will be part of the cumulative quantity received once the trailers are set in yard/passed the gate at MBUSI.
- Field FST03 If the Qualifier F is transmitted the content of the segments is the subtotal of open quantities inside the given horizon. There will be one segment created for the production go-ahead quantity and a second one for the material go-ahead quantity.

Example:

```
FST*90*Z*D*150608*150608~
FST*90*D*D*150612*150612~
FST*90*D*D*150622*150622~
FST*90*D*D*150623*150623~
FST*180*D*F*150607*150614~
FST*0*D*F*150615*150621~
```

No = Consecutive segment number
 MaxOcc = Maximum occurrence of the segment/group
 Counter = Counter of segment/group within the standard

St = Status (M=Mandatory, R=Required, C=Conditional,
 O=Optional, F=Floating, D=Dependent, A=Advised,
 S=Situational, X=Not used, N=Not recommended)

3.21 SHP Segment

| Counter | No | Tag | St | MaxOcc | Level | Name |
|---------|----|------------|----|--------|-------|-------------------------------------|
| 0470 | | SHP | O | 25 | 2 | SHP-REF |
| 0470 | 21 | SHP | M | 1 | 2 | Shipped/Received Information |

| Standard | | | Implementation | |
|----------|---------------------|-----------|----------------|--------------------------------|
| Tag | Name | St Format | St Format | Usage / Remark |
| SHP | | | | |
| 673 | Quantity Qualifier | O ID 2/2 | O ID 2/2 | 01 Discrete Quantity |
| 380 | Quantity | C R 1/15 | C R 1/15 | Delivery quantity |
| 374 | Date/Time Qualifier | C ID 3/3 | C ID 3/3 | 050 Received |
| 373 | Date | C DT 6/6 | C DT 6/6 | Delivery date in format YYMMDD |
| 337 | Time | C TM 4/8 | N | Not used |
| 373 | Date | O DT 6/6 | N | Not used |
| 337 | Time | O TM 4/8 | N | Not used |

Remark:

This segment in combination with the subsequent REF segment contains data referencing the last delivery note posted goods receipt against this scheduling agreement item

SHP02 total quantity on last delivery note received against this scheduling agreement and scheduling agreement item

Example:

SHP*01*90*050*150605~

No = Consecutive segment number
 MaxOcc = Maximum occurrence of the segment/group
 Counter = Counter of segment/group within the standard

St = Status (M=Mandatory, R=Required, C=Conditional,
 O=Optional, F=Floating, D=Dependent, A=Advised,
 S=Situational, X=Not used, N=Not recommended)

3.22 REF Segment

| Counter | No | Tag | St | MaxOcc | Level | Name |
|---------|----|------------|----|--------|-------|--------------------------|
| 0470 | | SHP | O | 25 | 2 | SHP-REF |
| 0480 | 22 | REF | O | 5 | 3 | Reference Numbers |

| Standard | | | Implementation | |
|----------|----------------------------|-----------|----------------|---|
| Tag | Name | St Format | St Format | Usage / Remark |
| REF | | | | |
| 128 | Reference Number Qualifier | M ID 2/2 | M ID 2/2 | SI Shipper's Identifying Number for Shipment (SID) |
| 127 | Reference Number | C AN 1/30 | C AN 1/10 | Delivery note no. |
| 352 | Description | C AN 1/80 | N | Not used |

Remark:

REF02 Delivery note number of last delivery arrived against this scheduling agreement item. Delivery note will be transmitted in as reference in 820 transmissions.

Example:

REF*SI*GAD21042~

No = Consecutive segment number
 MaxOcc = Maximum occurrence of the segment/group
 Counter = Counter of segment/group within the standard

St = Status (M=Mandatory, R=Required, C=Conditional,
 O=Optional, F=Floating, D=Dependent, A=Advised,
 S=Situational, X=Not used, N=Not recommended)

3.23 SHP Segment

| Counter | No | Tag | St | MaxOcc | Level | Name |
|---------|----|------------|----|--------|-------|-------------------------------------|
| 0470 | | SHP | O | 25 | 2 | SHP |
| 0470 | 25 | SHP | M | 1 | 2 | Shipped/Received Information |

| Standard | | | Implementation | |
|----------|---------------------|-----------|----------------|--|
| Tag | Name | St Format | St Format | Usage / Remark |
| SHP | | | | |
| 673 | Quantity Qualifier | O ID 2/2 | O ID 2/2 | 02 Cumulative Quantity |
| 380 | Quantity | C R 1/15 | C R 1/15 | Current cumulative quantity received |
| 374 | Date/Time Qualifier | C ID 3/3 | C ID 3/3 | 051 Cumulative Quantity Start |
| 373 | Date | C DT 6/6 | C DT 6/6 | Reconciliation Date for Agreed Cumulative Quantity |
| 337 | Time | C TM 4/8 | N | Not used |
| 373 | Date | O DT 6/6 | O DT 6/6 | Date of the previous delivery schedule |
| 337 | Time | O TM 4/8 | N | Not used |

Remark:

Segment SHP and subsequent REF segment where SHP01 = 02 and SHP03 = 051 contains the cumulated received quantity (all quantities received by MBUSI against this scheduling agreement item).

- SHP02 The current cumulative quantity received is transmitted in this field. The quantity includes all parts received in yard and posted Goods receipt against this scheduling agreement and scheduling agreement item. The quantity in transit is **not** included in this figure.
- SHP04 The date transmitted in this field contains the date when the cumulative quantity was set the last time. If the value is "000000" the cumulative quantity has not been reset until now.
- SHP05 The date transmitted in this field contains the date when the last material release was created in reference to this scheduling agreement and scheduling agreement item.

Example:

SHP*02*30978*051*150101**150601~

No = Consecutive segment number
 MaxOcc = Maximum occurrence of the segment/group
 Counter = Counter of segment/group within the standard

St = Status (M=Mandatory, R=Required, C=Conditional,
 O=Optional, F=Floating, D=Dependent, A=Advised,
 S=Situational, X=Not used, N=Not recommended)

3.24 CTT Segment

| Counter | No | Tag | St | MaxOcc | Level | Name |
|---------|----|------------|----|--------|-------|--------------------|
| 0010 | 26 | CTT | O | 1 | 0 | Transaction Totals |

| Standard | | | Implementation | |
|----------|------------------------------------|-----------|----------------|----------------|
| Tag | Name | St Format | St Format | Usage / Remark |
| CTT | | | | |
| 354 | Number of Line Items | M N0 1/6 | M N0 1/6 | |
| 347 | Hash Total | O R 1/10 | N | Not used |
| 81 | Weight | C R 1/10 | N | Not used |
| 355 | Unit or Basis for Measurement Code | C ID 2/2 | N | Not used |
| 183 | Volume | C R 1/8 | N | Not used |
| 355 | Unit or Basis for Measurement Code | C ID 2/2 | N | Not used |
| 352 | Description | O AN 1/80 | N | Not used |

Remark:

Example:

CTT*1~SE*76~

No = Consecutive segment number
 MaxOcc = Maximum occurrence of the segment/group
 Counter = Counter of segment/group within the standard

St = Status (M=Mandatory, R=Required, C=Conditional,
 O=Optional, F=Floating, D=Dependent, A=Advised,
 S=Situational, X=Not used, N=Not recommended)

3.25 SE Segment

| Counter | No | Tag | St | MaxOcc | Level | Name |
|---------|----|-----------|----|--------|-------|-------------------------|
| 0020 | 27 | SE | M | 1 | 0 | Transaction Set Trailer |

| Standard | | | Implementation | |
|----------|--------------------------------|-----------|----------------|----------------|
| Tag | Name | St Format | St Format | Usage / Remark |
| SE | | | | |
| 96 | Number of Included Segments | M NO 1/10 | M NO 1/10 | |
| 329 | Transaction Set Control Number | M AN 4/9 | M AN 4/9 | |

Remark:

Example:

SE*25*119492~

No = Consecutive segment number
 MaxOcc = Maximum occurrence of the segment/group
 Counter = Counter of segment/group within the standard

St = Status (M=Mandatory, R=Required, C=Conditional,
 O=Optional, F=Floating, D=Dependent, A=Advised,
 S=Situational, X=Not used, N=Not recommended)

3.26 GE Segment

| Counter | No | Tag | St | MaxOcc | Level | Name |
|---------|----|-----------|----|--------|-------|--------------------------|
| 0000 | 28 | GE | C | 1 | 0 | Functional Group Trailer |

| Standard | | | Implementation | |
|----------|-------------------------------------|-----------|----------------|----------------|
| Tag | Name | St Format | St Format | Usage / Remark |
| GE | | | | |
| 97 | Number of Transaction Sets Included | M NO 1/6 | M NO 1/6 | |
| 28 | Group Control Number | M NO 1/9 | M NO 1/9 | |

Remark:

Example:

GE*1*1751~

No = Consecutive segment number
 MaxOcc = Maximum occurrence of the segment/group
 Counter = Counter of segment/group within the standard

St = Status (M=Mandatory, R=Required, C=Conditional,
 O=Optional, F=Floating, D=Dependent, A=Advised,
 S=Situational, X=Not used, N=Not recommended)

3.27 IEA Segment

| Counter | No | Tag | St | MaxOcc | Level | Name |
|---------|----|------------|----|--------|-------|-----------------------------|
| 0000 | 29 | IEA | M | 1 | 0 | Interchange Control Trailer |

| Standard | | | Implementation | |
|----------|--------------------------------------|-----------|----------------|----------------|
| Tag | Name | St Format | St Format | Usage / Remark |
| IEA | | | | |
| I16 | Number of Included Functional Groups | M NO 1/5 | M NO 1/5 | |
| I12 | Interchange Control Number | M NO 9/9 | M NO 9/9 | |

Remark:

Example:

IEA*1*000000396~

No = Consecutive segment number
 MaxOcc = Maximum occurrence of the segment/group
 Counter = Counter of segment/group within the standard

St = Status (M=Mandatory, R=Required, C=Conditional,
 O=Optional, F=Floating, D=Dependent, A=Advised,
 S=Situational, X=Not used, N=Not recommended)

MBUSI_003050_830

4 Appendix

4.1 General information

830 transmissions for MBUSI direct materials will have only one scheduling agreement item (LIN segment) per BRF segment.

4.2 Format of MBUSI part number from LIN03

The MBUSI part number is specified in the material release.

Valid MBUSI part numbers generally consist of a letter ("A", "B", "H", "Z" or "T" (for new containers)) and 8-11 numbers.

No blank spaces or special characters

Exceptions: part numbers with supplementary codes ES1 and ES2

Example 1: Daimler part number without supplementary code

| Character | 1 | 2 | 3 | 4 | 5 | 6 | 7 | 8 | 9 | 10 | 11 | 12 | 13 | 14 | 15 | 16 | 17 | 18 | 19 | 20 | 21 | 22 |
|---------------------------|---|---|---|---|---|---|---|---|---|----|----|----|----|----|----|----|----|----|----|----|----|----|
| Customer Part number | | | | | | | | | | | | | | | | | | | | | | |
| Entry Daimler Part number | A | 1 | 2 | 4 | 4 | 0 | 1 | 1 | 2 | 6 | 1 | | | | | | | | | | | |

Example 2: Daimler part number for "colored" parts with indicator letter A and supplementary code (ES1), ES2

| Character | 1 | 2 | 3 | 4 | 5 | 6 | 7 | 8 | 9 | 10 | 11 | 12 | 13 | 14 | 15 | 16 | 17 | 18 | 19 | 20 | 21 | 22 |
|---------------------------|---|---|---|---|---|---|---|---|---|----|----|----|----|----|----|----|----|----|----|----|----|----|
| Customer Part number | | | | | | | | | | | | | | | | | | | | | | |
| Entry Daimler Part number | A | 1 | 2 | 4 | 4 | 0 | 1 | 1 | 2 | 6 | 1 | | | | | | | 9 | 0 | 5 | 1 | |

MBUSI_003050_830

4.3 Segment FST

| | |
|---|--------------------|
| A | Past Due immediate |
| D | Planning |
| Z | Backlog |

Dates may be expressed as days, weeks or months. A day specified for call-off quantities refers to the date for arrival of the shipment at the orderer's premises. Special forms for dates are "backlog" (qualifier Z) [Rückstand] and "immediate requirement" (qualifier A) [Sofortbedarf].

A **backlog** is the **positive difference** between the cumulative quantities as of the date of this material release minus the cumulative received quantity. The releases' cumulative quantity as of the material release date is always taken as the smaller of the values from the mathematical comparison between the old and new release cumulative quantities.

An **immediate requirement** is generally only indicated if the release cumulative quantity/new is higher than the release cumulative quantity/old on the material release date.

The immediate requirement is then the positive difference between the release cumulative quantity/new and the sum total of the cumulative received quantity and the backlog.

Also added to the immediate requirement may be further call-off quantities whose arrival date falls within an "immediate requirement period" set at the orderer's discretion.

Negative values for backlog and immediate requirement are not shown, but instead netted off against other requirement quantities until such time as the balance is again positive. This positive remainder then forms the first dated release quantity of the present material release.

FST segments for backlog and immediate requirements are to be interpreted as quantities still to be delivered unless your calculation of in transit material shows that enough parts are on the way to MBUSI.

Shipments not posted in yard are not part of the cumulative quantity received

4.4 Segment SHP

Cumulative quantity received

Cumulative quantity that has been met by all deliveries posted by the ordering party from a date (e.g. 1.Jan of the current year) up to the specified material release creation date and time. The release cumulative quantity is formed on the basis of the cumulative received quantity by ongoing accumulation of the release quantities.

MBUSI_003050_830

4.5 Example message

```

ISA*00*                *00*                *ZZ*MBUS   MBUS002 *ZZ*INT
*150607*1509*U*00200*000000396*0*P*>~
GS*PS*MBUS002A*15437320B*150607*1509*396*X*003050~
ST*830*299728~
BFR*05**73*DL*A*150601*151130*150607***5500061079~
PER*OD*Guadalupe Polo*IT*507-3560~
TD5****J~
MAN*DZ*NONE~
N1*SE*INTEVA PRODUCTS LLC*92*015437320B~
N3*SUITE 3215 75 REMITTANCE DRIVE~
N4*CHICAGO*IL*606753215*US~
N1*ST*MBUSI - Direct Materials*92*8010~
N4*Vance*AL*354909310*US*DE*PCC2~
LIN*00100*BP*A1665050461*PO*5500061079*RN*73*RC*T55010~
UIT*EA~
PID*F****AIR DUCT LH / FLANSCH / MOLA-KUEHLSCHLAU~
PKG*F*35***Standard Returnable Hand Held Tote~
PO4**90*EA~
REF*DK*W1H1~
FST*90*Z*D*150607*150607~
FST*90*D*D*150608*150608~
FST*90*D*D*150612*150612~
FST*90*D*D*150622*150622~
FST*90*D*D*150623*150623~
FST*90*D*D*150625*150625~
FST*90*D*D*150626*150626~
FST*0*D*D*150629*150629~
FST*90*D*D*150630*150630~
FST*90*D*D*150701*150701~
FST*90*D*D*150706*150706~
FST*90*D*D*150707*150707~
FST*90*D*D*150708*150708~
FST*90*D*D*150709*150709~
FST*0*D*D*150710*150710~
FST*90*D*D*150713*150713~
FST*90*D*D*150714*150714~
FST*0*D*D*150715*150715~
FST*90*D*D*150716*150716~
FST*90*D*D*150717*150717~
FST*0*D*D*150720*150720~
FST*90*D*D*150721*150721~
FST*90*D*D*150722*150722~
FST*90*D*D*150723*150723~
FST*0*D*D*150724*150724~
FST*90*D*D*150727*150727~
FST*90*D*D*150728*150728~
FST*90*D*D*150729*150729~
FST*90*D*D*150730*150730~
FST*90*D*D*150731*150731~

```

MBUSI_003050_830

FST*90*D*D*150803*150803~
FST*90*D*D*150804*150804~
FST*90*D*D*150805*150805~
FST*90*D*D*150806*150806~
FST*0*D*D*150807*150807~
FST*90*D*D*150810*150810~
FST*90*D*D*150811*150811~
FST*90*D*D*150812*150812~
FST*90*D*D*150813*150813~
FST*90*D*D*150814*150814~
FST*90*D*D*150817*150817~
FST*90*D*D*150818*150818~
FST*90*D*D*150819*150819~
FST*90*D*D*150820*150820~
FST*90*D*D*150821*150821~
FST*90*D*D*150824*150824~
FST*90*D*D*150825*150825~
FST*90*D*D*150826*150826~
FST*90*D*D*150827*150827~
FST*90*D*D*150828*150828~
FST*90*D*D*150831*150831~
FST*1890*D*M*150901*150930~
FST*1980*D*M*151001*151031~
FST*1710*D*M*151101*151130~
FST*0*D*M*151201*151231~
FST*0*D*M*160101*160131~
FST*270*D*F*150607*150614~
FST*0*D*F*150615*150621~
SHP*01*90*050*150605~
REF*SI*GAD21042~
SHP*02*30978*051*000000**150601~
CTT*1~
SE*80~
GE*1*396~
IEA*1*000000396~