

Message Implementation Guideline

**CCUSA\_003050\_830**

Based on

**830**

Planning Schedule with Release Capability

**X12 003050**

**Version 1.2:** September 26, 2018

# Change History

	<b>Date</b>	<b>Chapter</b>	<b>Description</b>
1.0	12-Apr-2018	All	Document created
1.1	25-Jun-2018	3.2 GS Segment	Application Sender's Code added
		4.3 Examples	Application Sender's Code added
1.2	26-Sep-2018	3.2 GS Segment	Correction for Application Sender's Code prefix "D"

# 1 Contents

Change History	2
1 Structure / Table of Contents	4
2 Branching Diagram of Used Segments/Groups	5
3 Segments	10
3.1 ISA Segment	10
3.2 GS Segment	11
3.3 ST Segment	12
3.4 BFR Segment	13
3.5 NTE Segment	14
3.6 PER Segment	15
3.7 TD5 Segment	16
3.8 MAN Segment	17
3.9 N1 Segment	18
3.10 N4 Segment	19
3.11 N1 Segment	20
3.12 N3 Segment	21
3.13 N4 Segment	22
3.14 LIN Segment	23
3.15 UIT Segment	24
3.16 PID Segment	25
3.17 REF Segment	26
3.18 FST Segment	27
3.19 SHP Segment	28
3.20 REF Segment	29
3.21 SHP Segment	30
3.22 CTT Segment	31
3.23 SE Segment	32
3.24 GE Segment	33
3.25 IEA Segment	34
4 Appendix	35
4.1 General information	35
4.2 Format of customers part number from LIN03	35
4.3 Example message	36

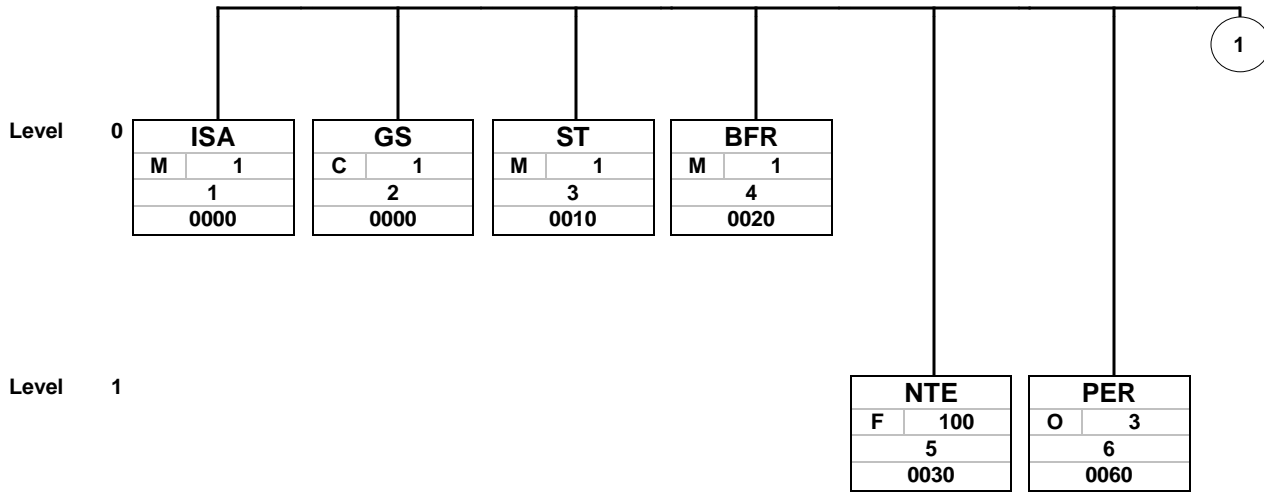
# 1 Structure / Table of Contents

Counter	No	Tag	St	MaxOcc	Level	Content
0000	1	<b>ISA</b>	M	1	0	Interchange Control Header
0000	2	<b>GS</b>	C	1	0	Functional Group Header
0010	3	<b>ST</b>	M	1	0	Transaction Set Header
0020	4	<b>BFR</b>	M	1	0	Beginning Segment for Planning Schedule
0030	5	<b>NTE</b>	F	100	1	Note/Special Instruction
0060	6	<b>PER</b>	O	3	1	Administrative Communications Contact
0190	7	<b>TD5</b>	O	12	1	Carrier Details (Routing Sequence/Transit Time)
0220	8	<b>MAN</b>	O	10	1	Marks and Numbers
0230		<b>N1</b>	O	200	1	N1-N4
0230	9	<b>N1</b>	M	1	1	Name
0260	10	<b>N4</b>	O	1	2	Geographic Location
0230		<b>N1</b>	O	200	1	N1-N3-N4
0230	11	<b>N1</b>	M	1	1	Name
0250	12	<b>N3</b>	O	2	2	Address Information
0260	13	<b>N4</b>	O	1	2	Geographic Location
0010		<b>LIN</b>	M	>1	1	LIN-UIT-PID-PKG-PO4-REF-FST-SHP-SHP-SHP
0010	14	<b>LIN</b>	M	1	1	Item Identification
0020	15	<b>UIT</b>	O	1	2	Unit Detail
0080	16	<b>PID</b>	O	1000	2	Product/Item Description
0110	17	<b>PKG</b>	O	25	2	Marking, Packaging, Loading
0120	18	<b>PO4</b>	O	1	2	Item Physical Details
0140	19	<b>REF</b>	O	12	2	Reference Numbers
0410		<b>FST</b>	O	>1	2	FST
0410	20	<b>FST</b>	M	1	2	Forecast Schedule
0470		<b>SHP</b>	O	25	2	SHP-REF
0470	21	<b>SHP</b>	M	1	2	Shipped/Received Information
0480	22	<b>REF</b>	O	5	3	Reference Numbers
0470		<b>SHP</b>	O	25	2	SHP
0470	23	<b>SHP</b>	M	1	2	Shipped/Received Information
0010	24	<b>CTT</b>	O	1	0	Transaction Totals
0020	25	<b>SE</b>	M	1	0	Transaction Set Trailer
0000	26	<b>GE</b>	C	1	0	Functional Group Trailer
0000	27	<b>IEA</b>	M	1	0	Interchange Control Trailer

No = Consecutive segment number  
 MaxOcc = Maximum occurrence of the segment/group  
 Counter = Counter of segment/group within the standard

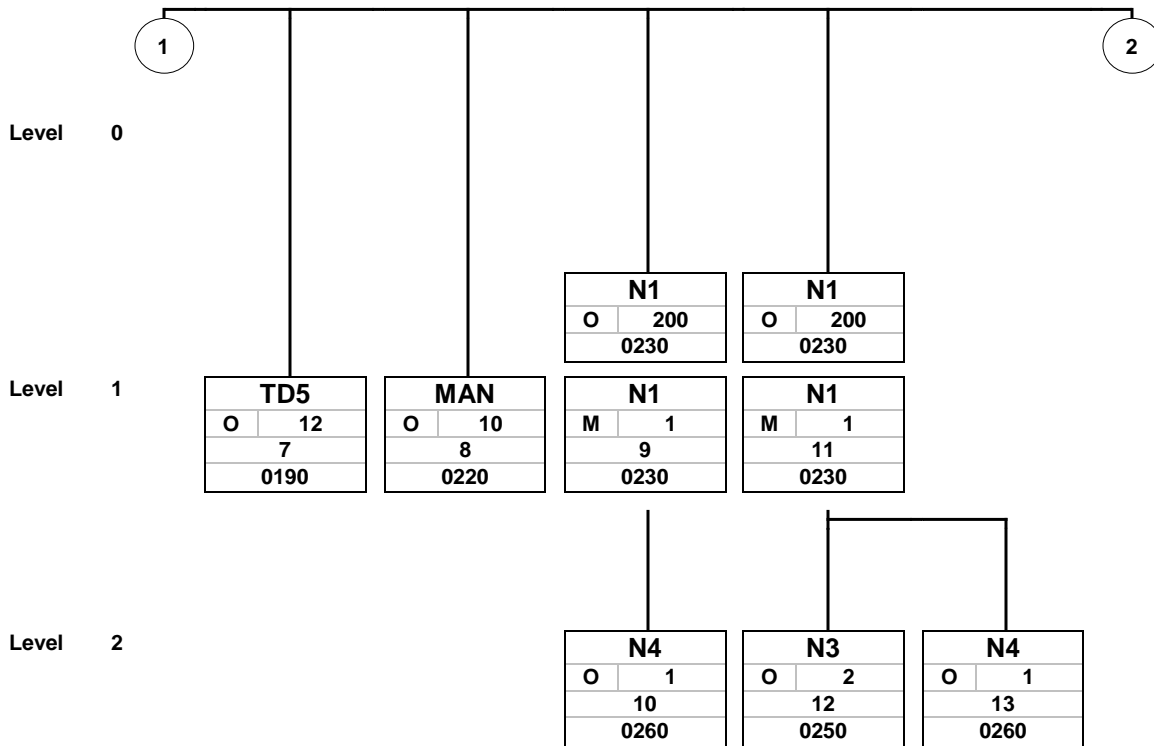
St = Status (M=Mandatory, R=Required, C=Conditional,  
 O=Optional, F=Floating, D=Dependent, A=Advised,  
 S=Situational, X=Not used, N=Not recommended)

## 2 Branching Diagram of Used Segments/Groups



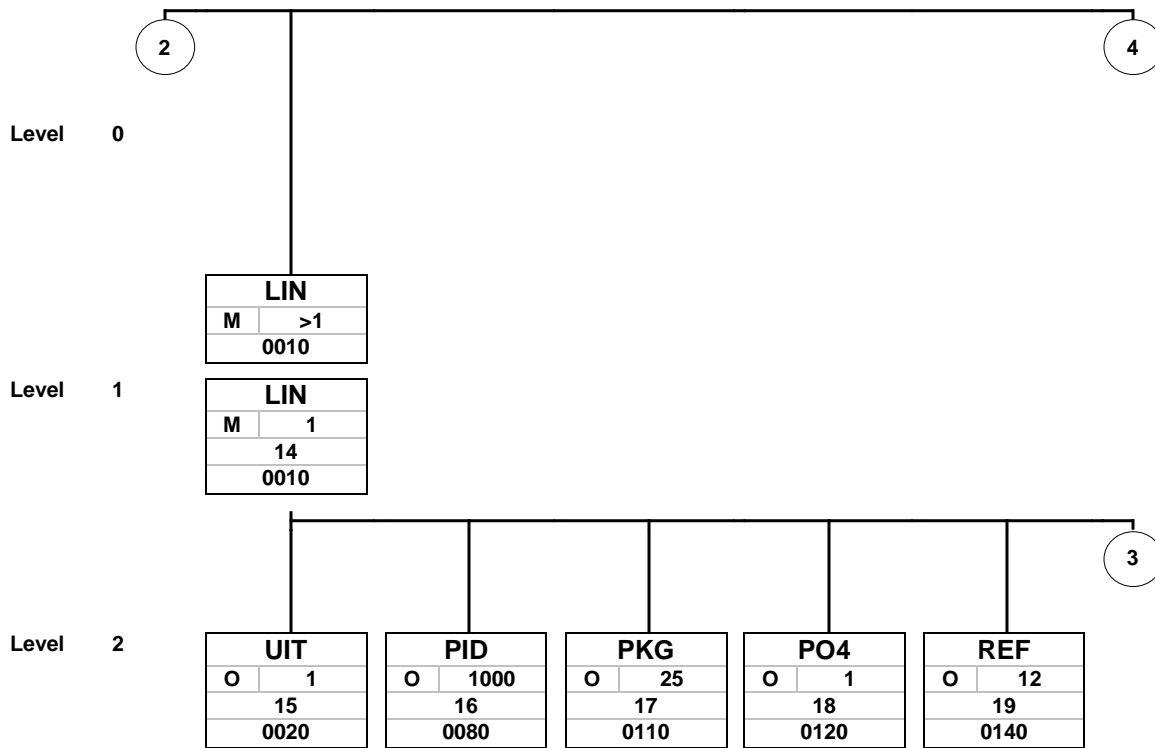
Tag
St MaxOcc
No
Counter

Tag = Segment/Group Tag  
 St = Status (M=Mandatory, R=Required, C=Conditional, O=Optional, F=Floating, D=Dependent, A=Advised, S=Situational, X=Not used, N=Not recommended)  
 MaxOcc = Maximum occurrence of the segment/group  
 No = Consecutive segment number, Counter = Counter of segment/group within the standard



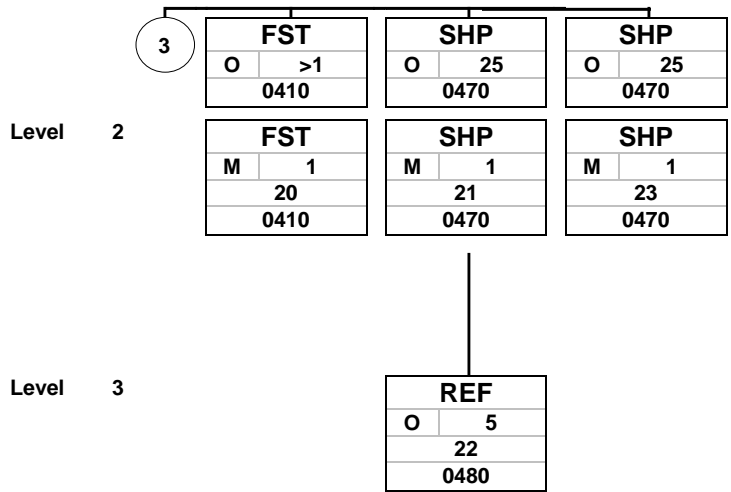
Tag
St MaxOcc
No
Counter

Tag = Segment/Group Tag  
 St = Status (M=Mandatory, R=Required, C=Conditional, O=Optional, F=Floating, D=Dependent, A=Advised, S=Situational, X=Not used, N=Not recommended)  
 MaxOcc = Maximum occurrence of the segment/group  
 No = Consecutive segment number, Counter = Counter of segment/group within the standard



Tag
St MaxOcc
No
Counter

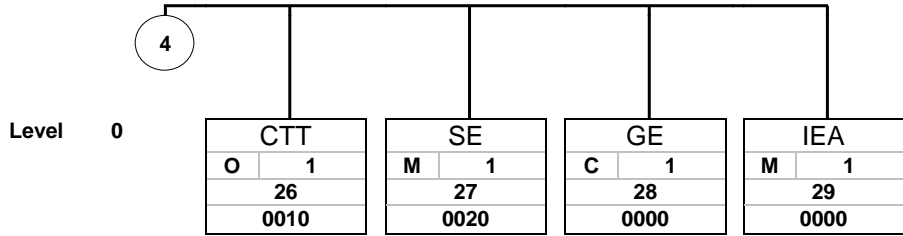
Tag = Segment/Group Tag  
 St = Status (M=Mandatory, R=Required, C=Conditional, O=Optional, F=Floating, D=Dependent, A=Advised, S=Situational, X=Not used, N=Not recommended)  
 MaxOcc = Maximum occurrence of the segment/group  
 No = Consecutive segment number, Counter = Counter of segment/group within the standard



Tag
St MaxOcc
No
Counter

Tag = Segment/Group Tag  
 St = Status (M=Mandatory, R=Required, C=Conditional, O=Optional, F=Floating, D=Dependent, A=Advised, S=Situational, X=Not used, N=Not recommended)  
 MaxOcc = Maximum occurrence of the segment/group  
 No = Consecutive segment number, Counter = Counter of segment/group within the standard





Tag
St MaxOcc
No
Counter

Tag = Segment/Group Tag  
 St = Status (M=Mandatory, R=Required, C=Conditional, O=Optional, F=Floating, D=Dependent, A=Advised, S=Situational, X=Not used, N=Not recommended)  
 MaxOcc = Maximum occurrence of the segment/group  
 No = Consecutive segment number, Counter = Counter of segment/group within the standard

# 3 Segments

## 3.1 ISA Segment

Counter	No	Tag	St	MaxOcc	Level	Name
0000	1	<b>ISA</b>	M	1	0	Interchange Control Header

		Standard	Implementation	
Tag	Name	St Format	St Format	Usage / Remark
ISA				
I01	Authorization Information Qualifier	M ID 2/2	M ID 2/2	<b>00 No Authorization Information Present (No Meaningful Information in I02)</b>
I02	Authorization Information	M AN 10/10	M AN 10/10	
I03	Security Information Qualifier	M ID 2/2	M ID 2/2	<b>00 No Security Information Present (No Meaningful Information in I04)</b>
I04	Security Information	M AN 10/10	M AN 10/10	
I05	Interchange ID Qualifier	M ID 2/2	M ID 2/2	<b>ZZ- Mutually Defined</b>
I06	Interchange Sender ID	M AN 15/15	M AN 15/15	<b>Test: DAI_GSSPLUS_T Production: DAI_GSSPLUS_P</b>
I05	Interchange ID Qualifier	M ID 2/2	M ID 2/2	<b>Supplier will provide their 2 digit qualifier ID.</b>
I07	Interchange Receiver ID	M AN 15/15	M AN 15/15	<b>Supplier will provide their Interchange Receiver ID</b>
I08	Interchange Date	M DT 6/6	M DT 6/6	The date is in year month day (YYDDMM) format
I09	Interchange Time	M TM 4/4	M TM 4/4	The local time the ISA was created, it is in HHMM format and the valid ranges are 0000 to 2359
I10	Interchange Control Standards Identifier	M ID 1/1	M ID 1/1	<b>U (U.S. EDI Community of ASC X12, TDCC, and UCS)</b>
I11	Interchange Control Version Number	M ID 5/5	M ID 5/5	<b>00200 (Standard Issued as ANSI X12.5-1987)</b>
I12	Interchange Control Number	M NO 9/9	M NO 9/9	
I13	Acknowledgment Requested	M ID 1/1	M ID 1/1	<b>0 No Acknowledgment Requested</b>
I14	Test Indicator	M ID 1/1	M ID 1/1	Definition: T-Test, P-Production
I15	Component Element Separator	M AN 1/1	M AN 1/1	Sub Element Separator

**Remarks:**

**Example:**

ISA\*00\* \*00\* \*ZZ\*DAI\_GSSPLUS\_T \*01\*123456789 \*180307\*2103\*U\*00200\*00000004\*0\*T\*>~

No = Consecutive segment number  
 MaxOcc = Maximum occurrence of the segment/group  
 Counter = Counter of segment/group within the standard

St = Status (M=Mandatory, R=Required, C=Conditional, O=Optional, F=Floating, D=Dependent, A=Advised, S=Situational, X=Not used, N=Not recommended)

### 3.2 GS Segment

Counter	No	Tag	St	MaxOcc	Level	Name
---------	----	-----	----	--------	-------	------

0000	2	<b>GS</b>	C	1	0	Functional Group Header
------	---	-----------	---	---	---	-------------------------

Standard			Implementation		
Tag	Name	St Format	St Format	Usage / Remark	
GS					
479	Functional Identifier Code	M ID 2/2	M ID 2/2	<b>PS</b>	
142	Application Sender's Code	M AN 2/15	M AN 2/15	<b>Planning Schedule with Release Capability (830)</b>	
124	Application Receiver's Code	M AN 2/15	M AN 2/15	<b>12803193D</b>	
373	Date	M DT 6/6	M DT 6/6	Supplier number without preceding zeros	
337	Time	M TM 4/8	M TM 4/8		
28	Group Control Number	M NO 1/9	M NO 1/9		
455	Responsible Agency Code	M ID 1/2	M ID 1/2	<b>X Accredited Standards Committee X12</b>	
480	Version / Release / Industry Identifier Code	M AN 1/12	M AN 1/12	<b>003050</b>	
				<b>(Draft Standards Approved for Publication by ASC X12 Procedures Review Board through October 1994)</b>	

**Remarks:**

Field GS03 SUPPLIER - is your supplier number as defined by MBUSI

**Example:**

GS\*PS\*12803193D\*SUPPLIER\*180307\*2103\*4\*X\*003050~

No = Consecutive segment number  
 MaxOcc = Maximum occurrence of the segment/group  
 Counter = Counter of segment/group within the standard

St = Status (M=Mandatory, R=Required, C=Conditional,  
 O=Optional, F=Floating, D=Dependent, A=Advised,  
 S=Situational, X=Not used, N=Not recommended)

### 3.3 ST Segment

Counter	No	Tag	St	MaxOcc	Level	Name
---------	----	-----	----	--------	-------	------

0010	3	<b>ST</b>	M	1	0	Transaction Set Header
------	---	-----------	---	---	---	------------------------

Standard			Implementation	
Tag	Name	St Format	St Format	Usage / Remark
ST				
143	Transaction Set Identifier Code	M ID 3/3	M ID 3/3	<b>830</b> <b>(X12.14 Planning Schedule with Release Capability)</b>
329	Transaction Set Control Number	M AN 4/9	M AN 4/9	

**Remark:**

Field ST02      The value from this field can be reference in case of errors.

**Example:**

ST\*830\*0001~

No = Consecutive segment number  
 MaxOcc = Maximum occurrence of the segment/group  
 Counter = Counter of segment/group within the standard

St = Status (M=Mandatory, R=Required, C=Conditional,  
 O=Optional, F=Floating, D=Dependent, A=Advised,  
 S=Situational, X=Not used, N=Not recommended)

### 3.4 BFR Segment

Counter	No	Tag	St	MaxOcc	Level	Name
---------	----	-----	----	--------	-------	------

0020 4 **BFR** M 1 0 Beginning Segment for Planning Schedule

Standard			Implementation	
Tag	Name	St Format	St Format	Usage / Remark
BFR				
353	Transaction Set Purpose Code	M ID 2/2	M ID 2/2	<b>05 (Replace)</b>
127	Reference Number	C AN 1/30	N	Not used
328	Release Number	C AN 1/30	C AN 1/30	<b>Number for forecast (running number)</b>
675	Schedule Type Qualifier	M ID 2/2	M ID 2/2	<b>DL (Delivery Based)</b>
676	Schedule Quantity Qualifier	M ID 1/1	M ID 1/1	<b>A (Actual Discrete Quantities)</b>
373	Date	M DT 6/6	M DT 6/6	Delivery Schedule Date
373	Date	O DT 6/6	O DT 6/6	Delivery schedule valid to date
373	Date	M DT 6/6	M DT 6/6	MBUSI scheduling agreement date
373	Date	O DT 6/6	O DT 6/6	Not used
367	Contract Number	O AN 1/30	N	Not used
324	Purchase Order Number	O AN 1/22	O AN 1/22	Scheduling agreement number
783	Planning Schedule Type Code	O ID 2/2	N	Not used
306	Action Code	O ID 1/2	N	Not used

**Remark:**

**IMPORTANT:** The material release is sent for each combination of scheduling agreement number (BFR11) and Scheduling agreement item (LIN01). Both have to be referenced in the 856 ASN message

Field BFR11 This field will be repeated in field LIN07 and has to be referenced in the 856 transmission in field LIN-PRF01.

**Example:**

BFR\*05\*\*3\*DL\*A\*180213\*190531\*180307\*\*\*5500000080~

No = Consecutive segment number  
 MaxOcc = Maximum occurrence of the segment/group  
 Counter = Counter of segment/group within the standard

St = Status (M=Mandatory, R=Required, C=Conditional,  
 O=Optional, F=Floating, D=Dependent, A=Advised,  
 S=Situational, X=Not used, N=Not recommended)

### 3.5 NTE Segment

Counter	No	Tag	St	MaxOcc	Level	Name
---------	----	-----	----	--------	-------	------

0030 5 **NTE** F 100 1 **Note/Special Instruction**

Standard			Implementation	
Tag	Name	St Format	St Format	Usage / Remark
NTE				
363	Note Reference Code	O ID 3/3	O ID 3/3	<b>LIN Line Item</b>
352	Description	M AN 1/80	M AN 1/80	Special remarks regarding delivery schedule

**Remark:**

**Example:**

NTE\*LIN\*THIS TEXT CAN HOLD REMARKS OR NOTES REGARDING THIS RELEASE~

No = Consecutive segment number  
 MaxOcc = Maximum occurrence of the segment/group  
 Counter = Counter of segment/group within the standard

St = Status (M=Mandatory, R=Required, C=Conditional,  
 O=Optional, F=Floating, D=Dependent, A=Advised,  
 S=Situational, X=Not used, N=Not recommended)

### 3.6 PER Segment

Counter	No	Tag	St	MaxOcc	Level	Name
---------	----	-----	----	--------	-------	------

0060 6 **PER** O 3 1 **Administrative Communications Contact**

Standard			Implementation	
Tag	Name	St Format	St Format	Usage / Remark
PER				
366	Contact Function Code	M ID 2/2	M ID 2/2	<b>OD Order Department</b>
93	Name	O AN 1/35	O AN 1/35	Internal code and Name of MRP controller
365	Communication Number Qualifier	C ID 2/2	C ID 2/2	<b>IT International Telephone</b>
364	Communication Number	C AN 1/80	C AN 1/80	Phone number of MRP controller
365	Communication Number Qualifier	C ID 2/2	N	Not used
364	Communication Number	C AN 1/80	N	Not used
365	Communication Number Qualifier	C ID 2/2	N	Not used
364	Communication Number	C AN 1/80	N	Not used
443	Contact Inquiry Reference	O AN 1/20	N	Not used

**Remark:**

Field PER02 Holds MRP code and name of MRP controller responsible for this part.

Field PER04 Phone number of MRP controller (may not hold area code)

**Example:**

PER\*OD\*999-Name of MRP\*IT\*123-1234~

No = Consecutive segment number  
 MaxOcc = Maximum occurrence of the segment/group  
 Counter = Counter of segment/group within the standard

St = Status (M=Mandatory, R=Required, C=Conditional,  
 O=Optional, F=Floating, D=Dependent, A=Advised,  
 S=Situational, X=Not used, N=Not recommended)

### 3.7 TD5 Segment

Counter	No	Tag	St	MaxOcc	Level	Name
---------	----	-----	----	--------	-------	------

0190    7    **TD5**    O    12    1    **Carrier Details (Routing Sequence/Transit Time)**

Standard			Implementation	
Tag	Name	St Format	St Format	Usage / Remark
TD5				
133	Routing Sequence Code	O ID 1/2	N	Not used
66	Identification Code Qualifier	C ID 1/2	N	Not used
67	Identification Code	C AN 2/20	N	Not used
91	Transportation Method/Type Code	C ID 1/2	C ID 1/2	<b>A Air</b> <b>H Customer Pickup</b> <b>J Motor</b> <b>R Rail</b> <b>S Ocean</b>
387	Routing	C AN 1/35	N	Not used
368	Shipment/Order Status Code	C ID 2/2	N	Not used
309	Location Qualifier	O ID 1/2	N	Not used
310	Location Identifier	C AN 1/30	N	Not used
731	Transit Direction Code	O ID 2/2	N	Not used
732	Transit Time Direction Qualifier	O ID 2/2	N	Not used
733	Transit Time	C R 1/4	N	Not used
284	Service Level Code	C ID 2/2	N	Not used

**Remark:**

**Example:**

TD5\*\*\*\*J~

No = Consecutive segment number  
 MaxOcc = Maximum occurrence of the segment/group  
 Counter = Counter of segment/group within the standard

St = Status (M=Mandatory, R=Required, C=Conditional,  
 O=Optional, F=Floating, D=Dependent, A=Advised,  
 S=Situational, X=Not used, N=Not recommended)



### 3.8 MAN Segment

Counter	No	Tag	St	MaxOcc	Level	Name
0220	8	<b>MAN</b>	O	10	1	Marks and Numbers

Standard			Implementation	
Tag	Name	St Format	St Format	Usage / Remark
MAN				
88	Marks and Numbers Qualifier	M ID 1/2	M ID 1/2	<b>DZ Receiver Assigned Drop Zone</b>
87	Marks and Numbers	M AN 1/45	M AN 1/45	Internal Route information
87	Marks and Numbers	O AN 1/45	N	Not used
88	Marks and Numbers Qualifier	C ID 1/2	N	Not used
87	Marks and Numbers	C AN 1/45	N	Not used
87	Marks and Numbers	O AN 1/45	N	Not used

**Remark:**

Field MAN02 This Field may hold information like the internal KLT route that can be used to group different part numbers per pallet.

**Example:**

MAN\*DZ\*NONE~

No = Consecutive segment number  
 MaxOcc = Maximum occurrence of the segment/group  
 Counter = Counter of segment/group within the standard

St = Status (M=Mandatory, R=Required, C=Conditional,  
 O=Optional, F=Floating, D=Dependent, A=Advised,  
 S=Situational, X=Not used, N=Not recommended)

### 3.9 N1 Segment

Counter	No	Tag	St	MaxOcc	Level	Name
0230		<b>N1</b>	O	200	1	<b>N1-N4</b>
0230	9	<b>N1</b>	M	1	1	<b>Name</b>

Standard			Implementation	
Tag	Name	St Format	St Format	Usage / Remark
N1				
98	Entity Identifier Code	M ID 2/2	M ID 2/2	<b>ST Ship To</b>
93	Name	C AN 1/35	C AN 1/35	Name of customer
66	Identification Code Qualifier	C ID 1/2	C ID 1/2	<b>92 Assigned by Buyer or Buyer's Agent</b>
67	Identification Code	C AN 2/20	C AN 2/20	Customer plant code
706	Entity Relationship Code	O ID 2/2	N	Not used
98	Entity Identifier Code	O ID 2/2	N	Not used

**Remark:**

Field N104      Field has to be referenced in 856 transmissions for each LIN segment in field LIN-N104.

**Example:**

N1\*ST\*CCUSA\*92\*US01~

No = Consecutive segment number  
 MaxOcc = Maximum occurrence of the segment/group  
 Counter = Counter of segment/group within the standard

St = Status (M=Mandatory, R=Required, C=Conditional,  
 O=Optional, F=Floating, D=Dependent, A=Advised,  
 S=Situational, X=Not used, N=Not recommended)

### 3.10 N4 Segment

Counter	No	Tag	St	MaxOcc	Level	Name
	0230	<b>N1</b>	O	200	1	<b>N1-N4</b>
	0260	<b>N4</b>	O	1	2	<b>Geographic Location</b>

Standard			Implementation	
Tag	Name	St Format	St Format	Usage / Remark
N4				
19	City Name	O AN 2/30	N	City of customer address
156	State or Province Code	O ID 2/2	N	State of customer address
116	Postal Code	O ID 3/11	N	ZIP code of customer address
26	Country Code	O ID 2/3	N	Country of customer address
309	Location Qualifier	C ID 1/2	C ID 1/2	<b>DE Destination (Shipping)</b>
310	Location Identifier	O AN 1/30	O AN 1/30	customer storage location

**Remark:**

Field N406      Field holds the value of the so-called storage location in customers ERP system. The value is specific per combination of scheduling agreement and scheduling agreement item. This is a dynamic value and shall not be hardcoded!

**Example:**

N4\*Woodstock\*AL\*12345\*US\*DE\*FK00~

No = Consecutive segment number  
 MaxOcc = Maximum occurrence of the segment/group  
 Counter = Counter of segment/group within the standard

St = Status (M=Mandatory, R=Required, C=Conditional,  
 O=Optional, F=Floating, D=Dependent, A=Advised,  
 S=Situational, X=Not used, N=Not recommended)

### 3.11 N1 Segment

Counter	No	Tag	St	MaxOcc	Level	Name
		<b>N1</b>	O	200	1	<b>N1-N3-N4</b>
0230		<b>N1</b>	M	1	1	<b>Name</b>

Standard			Implementation	
Tag	Name	St Format	St Format	Usage / Remark
N1				
98	Entity Identifier Code	M ID 2/2	M ID 2/2	<b>SE Selling Party</b>
93	Name	C AN 1/35	C AN 1/35	Name of supplier
66	Identification Code Qualifier	C ID 1/2	C ID 1/2	<b>92 Assigned by Buyer or Buyer's Agent</b>
67	Identification Code	C AN 2/20	C AN 2/20	Supplier number
706	Entity Relationship Code	O ID 2/2	N	Not used
98	Entity Identifier Code	O ID 2/2	N	Not used

**Remark:**

N104: This field will hold the partner number (supplier number in the customers system) that customer assigned for his supplier and hold a 10 digit number. This number has to be printed on each label when the parts are shipped to customer.

**Example:**

N1\*SE\*Supplier Name\*92\*012345678A~

No = Consecutive segment number  
 MaxOcc = Maximum occurrence of the segment/group  
 Counter = Counter of segment/group within the standard

St = Status (M=Mandatory, R=Required, C=Conditional,  
 O=Optional, F=Floating, D=Dependent, A=Advised,  
 S=Situational, X=Not used, N=Not recommended)

### 3.12 N3 Segment

Counter	No	Tag	St	MaxOcc	Level	Name
0230		<b>N1</b>	O	200	1	<b>N1-N3-N4</b>
0250	12	<b>N3</b>	O	2	2	<b>Address Information</b>

Standard			Implementation	
Tag	Name	St Format	St Format	Usage / Remark
N3				
166	Address Information	M AN 1/35	M AN 1/35	Street of supplier address
166	Address Information	O AN 1/35	N	Not used

**Remark:**

**Example:**

N3\*SUITE 0815 123 EXAMPLE DRIVE~

No = Consecutive segment number  
 MaxOcc = Maximum occurrence of the segment/group  
 Counter = Counter of segment/group within the standard

St = Status (M=Mandatory, R=Required, C=Conditional,  
 O=Optional, F=Floating, D=Dependent, A=Advised,  
 S=Situational, X=Not used, N=Not recommended)

### 3.13 N4 Segment

Counter	No	Tag	St	MaxOcc	Level	Name
0230		<b>N1</b>	O	200	1	<b>N1-N3-N4</b>
0260	13	<b>N4</b>	O	1	2	<b>Geographic Location</b>

Standard			Implementation	
Tag	Name	St Format	St Format	Usage / Remark
N4				
19	City Name	O AN 2/30	O AN 2/30	City of supplier address
156	State or Province Code	O ID 2/2	O ID 2/2	State of supplier address
116	Postal Code	O ID 3/11	O ID 3/11	ZIP code of supplier address
26	Country Code	O ID 2/3	O ID 2/3	Country of customer address
309	Location Qualifier	C ID 1/2	N	Not used
310	Location Identifier	O AN 1/30	N	Not used

**Remark:**

**Example:**

N4\*CHICAGO\*IL\*60675\*US~

No = Consecutive segment number  
 MaxOcc = Maximum occurrence of the segment/group  
 Counter = Counter of segment/group within the standard

St = Status (M=Mandatory, R=Required, C=Conditional,  
 O=Optional, F=Floating, D=Dependent, A=Advised,  
 S=Situational, X=Not used, N=Not recommended)

### 3.14 LIN Segment

Counter	No	Tag	St	MaxOcc	Level	Name
0010		<b>LIN</b>	M	>1	1	LIN-UIT-PID-PKG-PO4-REF-FST-SHP
0010	14	<b>LIN</b>	M	1	1	Item Identification

Standard			Implementation	
Tag	Name	St Format	St Format	Usage / Remark
LIN				
350	Assigned Identification	O AN 1/11	O AN 1/6	Scheduling agreement item
235	Product/Service ID Qualifier	M ID 2/2	M ID 2/2	<b>BP Buyer's Part Number</b>
234	Product/Service ID	M AN 1/40	M AN 1/22	Customer part no.
235	Product/Service ID Qualifier	C ID 2/2	C ID 2/2	<b>PO Purchase Order Number</b>
234	Product/Service ID	C AN 1/40	C AN 1/10	Scheduling agreement number (equal to BFR11)
235	Product/Service ID Qualifier	C ID 2/2	C ID 2/2	<b>RN Release Number</b>
234	Product/Service ID	C AN 1/40	C AN 1/40	Customer number for forecast (running number) (equal to BFR03)
235	Product/Service ID Qualifier	C ID 2/2	C ID 2/2	<b>RC Returnable Container No.</b>
234	Product/Service ID	C AN 1/40	C AN 1/40	Customer packaging material no.
235	Product/Service ID Qualifier	C ID 2/2	N	Not used
234	Product/Service ID	C AN 1/40	N	Not used

**Remark:**

Field LIN01 This field should hold the scheduling agreement item number and has to be referenced together with the scheduling agreement number (from LIN05) in the 856 transmission. A material release is issued per combination of scheduling agreement and scheduling agreement item. Each supplier can receive several separate material releases for the same part number but for different scheduling agreement items. Each item references a different storage location (N1-N406) and dock code/unloading point (LIN-REF02).  
**→ Information item number, storage location and dock code are dynamic and shall not be hardcoded!**

Field LIN03 This field holds the customer part number that has to be referenced in the 856 transmission and printed human readable and barcoded on each Single and Master label when the parts are shipped to customer.  
 → please see also 4.2 Format of customers part number from LIN03

**Example:**

LIN\*00010\*BP\*A2472900400\*PO\*5500000080\*RN\*3\*RC\*T55010~

No = Consecutive segment number  
 MaxOcc = Maximum occurrence of the segment/group  
 Counter = Counter of segment/group within the standard

St = Status (M=Mandatory, R=Required, C=Conditional,  
 O=Optional, F=Floating, D=Dependent, A=Advised,  
 S=Situational, X=Not used, N=Not recommended)

### 3.15 UIT Segment

Counter	No	Tag	St	MaxOcc	Level	Name
0010		LIN	M	>1	1	LIN-UIT-PID-PKG-PO4-REF-FST-SHP
0020	15	UIT	O	1	2	Unit Detail

Standard			Implementation	
Tag	Name	St Format	St Format	Usage / Remark
UIT				
C001	Composite Unit of Measure	M	M	
355	Unit or Basis for Measurement Code	M ID 2/2	M ID 2/2	Customer quantity unit

**Remark:**

Field UIT02 This field holds the customers Unit of Measure. This code shall be transmitted back in each SN103 field.

Link with allowed unit of measure codes: [http://das.ct.gov/Purchase/Info/ANSI\\_UNITS\\_OF\\_MEASURE.pdf](http://das.ct.gov/Purchase/Info/ANSI_UNITS_OF_MEASURE.pdf)

**Example:**

UIT\*EA~

No = Consecutive segment number  
 MaxOcc = Maximum occurrence of the segment/group  
 Counter = Counter of segment/group within the standard

St = Status (M=Mandatory, R=Required, C=Conditional,  
 O=Optional, F=Floating, D=Dependent, A=Advised,  
 S=Situational, X=Not used, N=Not recommended)



### 3.16 PID Segment

Counter	No	Tag	St	MaxOcc	Level	Name
0010		<b>LIN</b>	M	>1	1	LIN-UIT-PID-PKG-PO4-REF-FST-SHP
0080	16	<b>PID</b>	O	1000	2	Product/Item Description

Standard			Implementation		
Tag	Name	St Format	St Format	Usage / Remark	
PID					
349	Item Description Type	M ID 1/1	M ID 1/1	<b>F Free-form</b>	
750	Product/Process Characteristic Code	O ID 2/3	N	Not used	
559	Agency Qualifier Code	C ID 2/2	N	Not used	
751	Product Description Code	C AN 1/12	N	Not used	
352	Description	C AN 1/80	C AN 1/80	Material description	
752	Surface/Layer/Position Code	O ID 2/2	N	Not used	
822	Source Subqualifier	O AN 1/15	N	Not used	
1073	Yes/No Condition or Response Code	O ID 1/1	N	Not used	

**Remark:**

PID05 This field contains the material short text that should be printed on each Single and Master Label when this part is shipped to customer.

**Example:**

PID\*F\*\*\*\*AIR DUCT LH / FLANSCH / MOLA-KUEHLSCHLAU~

No = Consecutive segment number  
 MaxOcc = Maximum occurrence of the segment/group  
 Counter = Counter of segment/group within the standard

St = Status (M=Mandatory, R=Required, C=Conditional,  
 O=Optional, F=Floating, D=Dependent, A=Advised,  
 S=Situational, X=Not used, N=Not recommended)

### 3.17 REF Segment

Counter	No	Tag	St	MaxOcc	Level	Name
0010		<b>LIN</b>	M	>1	1	LIN-UIT-PID-PKG-PO4-REF-FST-SHP
0140	19	<b>REF</b>	O	12	2	Reference Numbers

Standard			Implementation	
Tag	Name	St Format	St Format	Usage / Remark
REF				
128	Reference Number Qualifier	M ID 2/2	M ID 2/2	<b>DK Dock Number</b>
127	Reference Number	C AN 1/30	C AN 1/5	Unloading point
352	Description	C AN 1/80	N	Not used

**Remark:**

REF02 This field contains the unloading point/receiving dock. Each 856 transmission shall send a separate 856 message per unloading point (split criteria for delivery note)  
**→ Unloading point is dynamic and shall not be hardcoded!**

**Example:**

REF\*DK\*MX01~

No = Consecutive segment number  
 MaxOcc = Maximum occurrence of the segment/group  
 Counter = Counter of segment/group within the standard

St = Status (M=Mandatory, R=Required, C=Conditional,  
 O=Optional, F=Floating, D=Dependent, A=Advised,  
 S=Situational, X=Not used, N=Not recommended)

### 3.18 FST Segment

Counter	No	Tag	St	MaxOcc	Level	Name
0410		<b>FST</b>	O	>1	2	<b>FST</b>
0410	20	<b>FST</b>	M	1	2	<b>Forecast Schedule</b>

Standard			Implementation	
Tag	Name	St Format	St Format	Usage / Remark
FST				
380	Quantity	M R 1/15	M R 1/15	Scheduled quantity
680	Forecast Qualifier	M ID 1/1	M ID 1/1	<b>A Past Due immediate</b> <b>D Planning</b> <b>Z Backlog</b>
681	Forecast Timing Qualifier	M ID 1/1	M ID 1/1	<b>D Discrete</b> <b>F Interval with start to end date</b> <b>M Monthly Bucket (Calendar Months)</b> <b>W Weekly Bucket (Monday through Sunday)</b>
373	Date	M DT 6/6	M DT 6/6	Scheduled date from
373	Date	O DT 6/6	O DT 6/6	Scheduled date to
374	Date/Time Qualifier	C ID 3/3	C ID 3/3	Not used
337	Time	C TM 4/8	C TM 4/8	Not used
128	Reference Number Qualifier	C ID 2/2	N	Not used
127	Reference Number	C AN 1/30	N	Not used
783	Planning Schedule Type Code	O ID 2/2	N	Not used

**Remark:**

- Field FST01 Quantities sent in the release are Discrete quantities (indicated by FST03). The release only holds the current cumulative quantity received in segment SHP.
- Field FST02 If backlog exists the first FST segment in the transmission will have a qualifier Z. The backlog includes quantities in transit that did not reach customer yet. The quantities will be part of the cumulative quantity received once the trailers are set in yard/passed the gate at customer.
- Field FST03 If the Qualifier F is transmitted the content the segments the subtotal of open quantities inside the given horizon. There will be one segment created for the production go-ahead quantity and a second one for the material go-ahead quantity.

**Example:**

FST\*5\*D\*D\*180130\*180130~  
FST\*10\*D\*D\*180307\*180307~

No = Consecutive segment number  
MaxOcc = Maximum occurrence of the segment/group  
Counter = Counter of segment/group within the standard

St = Status (M=Mandatory, R=Required, C=Conditional,  
O=Optional, F=Floating, D=Dependent, A=Advised,  
S=Situational, X=Not used, N=Not recommended)

### 3.19 SHP Segment

Counter	No	Tag	St	MaxOcc	Level	Name
0470		<b>SHP</b>	O	25	2	<b>SHP-REF</b>
0470	21	<b>SHP</b>	M	1	2	<b>Shipped/Received Information</b>

Standard			Implementation	
Tag	Name	St Format	St Format	Usage / Remark
SHP				
673	Quantity Qualifier	O ID 2/2	O ID 2/2	<b>01 Discrete Quantity</b>
380	Quantity	C R 1/15	C R 1/15	Delivery quantity
374	Date/Time Qualifier	C ID 3/3	C ID 3/3	<b>050 Received</b>
373	Date	C DT 6/6	C DT 6/6	Delivery date in format YYMMDD
337	Time	C TM 4/8	N	Not used
373	Date	O DT 6/6	N	Not used
337	Time	O TM 4/8	N	Not used

**Remark:**

This segment in combination with the subsequent REF segment contains data referencing the last delivery note posted goods receipt against this scheduling agreement item

SHP02            total quantity on last delivery note received against this scheduling agreement and scheduling agreement item

**Example:**

SHP\*01\*10\*050\*180105~

No = Consecutive segment number  
 MaxOcc = Maximum occurrence of the segment/group  
 Counter = Counter of segment/group within the standard

St = Status (M=Mandatory, R=Required, C=Conditional,  
 O=Optional, F=Floating, D=Dependent, A=Advised,  
 S=Situational, X=Not used, N=Not recommended)

### 3.20 REF Segment

Counter	No	Tag	St	MaxOcc	Level	Name
0470		<b>SHP</b>	O	25	2	<b>SHP-REF</b>
0480	22	<b>REF</b>	O	5	3	<b>Reference Numbers</b>

Standard			Implementation	
Tag	Name	St Format	St Format	Usage / Remark
REF				
128	Reference Number Qualifier	M ID 2/2	M ID 2/2	<b>SI Shipper's Identifying Number for Shipment (SID)</b>
127	Reference Number	C AN 1/30	C AN 1/10	Delivery note no.
352	Description	C AN 1/80	N	Not used

**Remark:**

REF02 Delivery note number of last delivery arrived against this scheduling agreement item.

**Example:**

REF\*SI\*XYZ0815~

No = Consecutive segment number  
 MaxOcc = Maximum occurrence of the segment/group  
 Counter = Counter of segment/group within the standard

St = Status (M=Mandatory, R=Required, C=Conditional,  
 O=Optional, F=Floating, D=Dependent, A=Advised,  
 S=Situational, X=Not used, N=Not recommended)

### 3.21 SHP Segment

Counter	No	Tag	St	MaxOcc	Level	Name
0470		<b>SHP</b>	O	25	2	<b>SHP</b>
0470	25	<b>SHP</b>	M	1	2	<b>Shipped/Received Information</b>

Standard			Implementation	
Tag	Name	St Format	St Format	Usage / Remark
SHP				
673	Quantity Qualifier	O ID 2/2	O ID 2/2	<b>02 Cumulative Quantity</b>
380	Quantity	C R 1/15	C R 1/15	Current cumulative quantity received
374	Date/Time Qualifier	C ID 3/3	C ID 3/3	<b>051 Cumulative Quantity Start</b>
373	Date	C DT 6/6	C DT 6/6	Reconciliation Date for Agreed Cumulative Quantity
337	Time	C TM 4/8	N	Not used
373	Date	O DT 6/6	O DT 6/6	Date of the previous delivery schedule
337	Time	O TM 4/8	N	Not used

**Remark:**

Segment SHP and subsequent REF segment where SHP01 = 02 and SHP03 = 051 contains the cumulated received quantity (all quantities received by customer against this scheduling agreement item).

SHP02            The current cumulative quantity received is transmitted in this field. The quantity includes all parts received in yard and posted Goods receipt against this scheduling agreement and scheduling agreement item. The quantity in transit is **not** included in this figure.

SHP04            The date transmitted in this field contains the date when the cumulative quantity was set the last time. If the value is "000000" the cumulative quantity has not been reset until now.

SHP05            The date transmitted in this field contains the date when the last material release was created in reference to this scheduling agreement and scheduling agreement item.

**Example:**

SHP\*02\*100\*051\*180101\*\*180213~

No = Consecutive segment number  
 MaxOcc = Maximum occurrence of the segment/group  
 Counter = Counter of segment/group within the standard

St = Status (M=Mandatory, R=Required, C=Conditional,  
 O=Optional, F=Floating, D=Dependent, A=Advised,  
 S=Situational, X=Not used, N=Not recommended)

### 3.22 CTT Segment

Counter	No	Tag	St	MaxOcc	Level	Name
0010	26	<b>CTT</b>	O	1	0	Transaction Totals

Standard			Implementation	
Tag	Name	St Format	St Format	Usage / Remark
CTT				
354	Number of Line Items	M NO 1/6	M NO 1/6	
347	Hash Total	O R 1/10	N	Not used
81	Weight	C R 1/10	N	Not used
355	Unit or Basis for Measurement Code	C ID 2/2	N	Not used
183	Volume	C R 1/8	N	Not used
355	Unit or Basis for Measurement Code	C ID 2/2	N	Not used
352	Description	O AN 1/80	N	Not used

**Remark:**

**Example:**

CTT\*1~

No = Consecutive segment number  
 MaxOcc = Maximum occurrence of the segment/group  
 Counter = Counter of segment/group within the standard

St = Status (M=Mandatory, R=Required, C=Conditional,  
 O=Optional, F=Floating, D=Dependent, A=Advised,  
 S=Situational, X=Not used, N=Not recommended)

### 3.23 SE Segment

Counter	No	Tag	St	MaxOcc	Level	Name
0020	27	<b>SE</b>	M	1	0	Transaction Set Trailer

Standard			Implementation	
Tag	Name	St Format	St Format	Usage / Remark
SE				
96	Number of Included Segments	M NO 1/10	M NO 1/10	
329	Transaction Set Control Number	M AN 4/9	M AN 4/9	

**Remark:**

**Example:**

SE\*19\*0001

No = Consecutive segment number  
 MaxOcc = Maximum occurrence of the segment/group  
 Counter = Counter of segment/group within the standard

St = Status (M=Mandatory, R=Required, C=Conditional,  
 O=Optional, F=Floating, D=Dependent, A=Advised,  
 S=Situational, X=Not used, N=Not recommended)



### 3.24 GE Segment

Counter	No	Tag	St	MaxOcc	Level	Name
0000	28	<b>GE</b>	C	1	0	Functional Group Trailer

Standard			Implementation	
Tag	Name	St Format	St Format	Usage / Remark
GE				
97	Number of Transaction Sets Included	M NO 1/6	M NO 1/6	
28	Group Control Number	M NO 1/9	M NO 1/9	

**Remark:**

**Example:**

GE\*1\*4~

No = Consecutive segment number  
 MaxOcc = Maximum occurrence of the segment/group  
 Counter = Counter of segment/group within the standard

St = Status (M=Mandatory, R=Required, C=Conditional,  
 O=Optional, F=Floating, D=Dependent, A=Advised,  
 S=Situational, X=Not used, N=Not recommended)

### 3.25 IEA Segment

Counter	No	Tag	St	MaxOcc	Level	Name
0000	29	<b>IEA</b>	M	1	0	Interchange Control Trailer

Standard			Implementation	
Tag	Name	St Format	St Format	Usage / Remark
IEA				
I16	Number of Included Functional Groups	M NO 1/5	M NO 1/5	
I12	Interchange Control Number	M NO 9/9	M NO 9/9	

**Remark:**

**Example:**

IEA\*1\*000000004~

No = Consecutive segment number  
 MaxOcc = Maximum occurrence of the segment/group  
 Counter = Counter of segment/group within the standard

St = Status (M=Mandatory, R=Required, C=Conditional,  
 O=Optional, F=Floating, D=Dependent, A=Advised,  
 S=Situational, X=Not used, N=Not recommended)

## 4 Appendix

### 4.1 General information

830 transmissions for direct materials will have only one scheduling agreement item (LIN segment) per BRF segment.

### 4.2 Format of customers part number from LIN03

The part number is specified in the material release.

Valid part numbers generally consist of a letter ("A", "B", "H", "Z" or "T" (for new containers)) and 8-11 numbers.

No blank spaces or special characters

Exceptions: part numbers with supplementary codes ES1 and ES2

#### Example 1: Daimler part number without supplementary code

Character	1	2	3	4	5	6	7	8	9	10	11	12	13	14	15	16	17	18	19	20	21	22
Customer Part number																						
Entry																						
Daimler Part number	A	1	2	4	4	0	1	1	2	6	1											

#### Example 2: Daimler part number for "colored" parts with indicator letter A and supplementary code (ES1), ES2

Character	1	2	3	4	5	6	7	8	9	10	11	12	13	14	15	16	17	18	19	20	21	22
Customer Part number																						
Entry																						
Daimler Part number	A	1	2	4	4	0	1	1	2	6	1							9	0	5	1	

### 4.3 Example message

ISA\*00\* \*00\* \*ZZ\*DAI\_GSSPLUS\_T \*01\*123456789  
\*180307\*2103\*U\*00200\*000000004\*0\*T\*>~  
GS\*PS\*???????\*18150815\*180307\*2103\*4\*X\*003050~  
ST\*830\*0001~  
BFR\*05\*\*3\*DL\*A\*180213\*190531\*180307\*\*\*5500000080~  
PER\*OD\*PERSON 1~  
TD5\*\*\*\*J~  
MAN\*DZ\*NONE~  
N1\*SE\*Supplier name\*92\*0015341977~  
N3\*100 Street~  
N4\*Chicago\*IN\*98765\*US~  
N1\*ST\*Customer name\*92\*US01~  
N4\*Woodstock\*AL\*12345\*US\*DE\*FK00~  
LIN\*00010\*BP\*A2472900400\*PO\*5500000080\*RN\*3~  
UIT\*EA~  
REF\*DK\*MX01~  
FST\*5\*D\*D\*180130\*180130~  
FST\*10\*D\*D\*180307\*180307~  
SHP\*01\*0~  
SHP\*02\*0\*051\*180101\*\*180213~  
CTT\*1~  
SE\*19\*0001~  
GE\*1\*4~  
IEA\*1\*000000004~