
Mercedes-Benz

Record description

Mercedes-Benz - VDA 4985 T2 - GLOBAL DELJIT

based on

DELJIT

Delivery just in time message

UN D.18A S3

VDA-Version: V2.1 - 2020-07
Mercedes-Benz-Version: 2.0 2020
Print date: 2021-11-25

1. Message structure.....	2
2. Branching diagram.....	4
3. Segment details	8

Structure / Table of Contents

No	Tag	St	MaxOcc	Content
1	UNA	O	1	Service string advice UNA:+. ? '
2	UNB	M	1	Interchange header UNB+UNOC:3+X:1:X+X:1:X+071005:0951+123+++++1'
3	UNH	M	1	Message header UNH+051020053+DELJIT:D:18A:UN:GAVC21'
4	BGM	M	1	Beginning of message BGM+340::6+JAMAEIE051+9'
5	DTM	R	1	Message date DTM+137:200509010723:203'
6	DTM	R	1	Collection date DTM+235:20180101:102'
7	FTX	R	1	Transport information FTX+TRA++X01::10+T01:1'
	SG1	O	1	Special trip indicator 7 RFF
8	RFF	M	1	Special trip indicator 7 RFF RFF+AKO:S'
	SG1	R	1	Transport number, assigned by Mercedes-Benz
9	RFF	M	1	Transport number, assigned by Mercedes-Benz RFF+AAO:Transport number'
	SG1	R	1	Bordero prefix
10	RFF	M	1	Bordero prefix RFF+AUS:2640'
	SG2	R	1	Buyer
11	NAD	M	1	Buyer's Name and Address NAD+BY+234348769::91++Name1:Name2+Street1:Street2+City+DE-MV+12345+DE'
	SG2	O	1	Seller Party
12	NAD	M	1	Seller's Name and Address NAD+SE+84752347::92++Name1:Name2+Street1:Street2+City+DE-MV+12345+DE'
	SG2	R	1	Ship-from
13	NAD	M	1	Ship From's Name and Address NAD+SF+12345678A::92++Name1:Name2+Street1:Street2+City++12345+DE'
	SG2	R	1	Ship-to party
14	NAD	M	1	ShipTo party's name and address NAD+ST+067::92++Name1:Name2+Street1:Street2+City++12345+DE'
	SG2	R	1	Freight forwarder

Bez = Segment-/Gruppen-Bezeichner
 Zähler = Nummer der Segmente/Gruppen im Standard
 Nr = Laufende Segmentnummer im Guide
 MaxWdh = Maximale Wiederholung der Segmente/Gruppen

St = Status
 EDIFACT: M=Muss/Mandatory, C=Conditional
 Anwendung: R=Erforderlich/Required, O=Optional,
 D=Abhängig von/Dependent, A=Empfohlen/Advised, N=Nicht
 benutzt/Not used

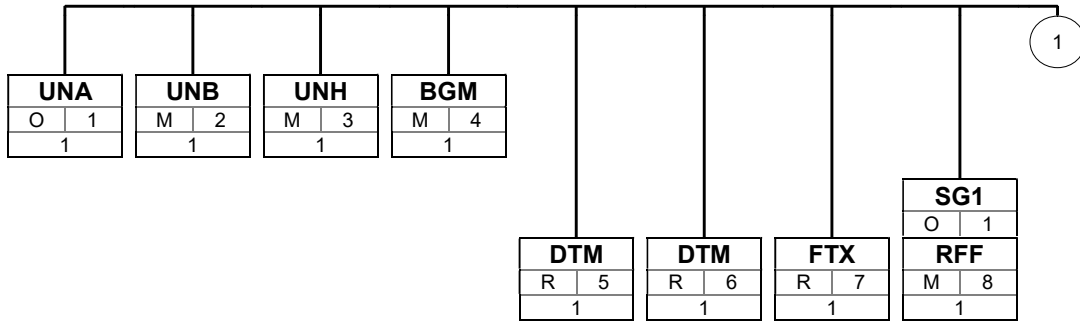
Structure / Table of Contents

No	Tag	St	MaxOcc	Content
15	NAD	M	1	Freight forwarder - ID, name, address NAD+FW+Identifier::92++Name1:Name2+Street1:Street2+City++12345+DE'
	SG5	M	9999	Delivery Instruction Line PUS
16	SEQ	M	1	Sequence details SEQ+40'
17	DTM	O	1	Nominal goods-in date DTM+2:20121212:102'
18	LOC	R	1	Place of discharge / place of delivery LOC+11+A90::92'
	SG9	R	9999	Product Item Line
19	LIN	M	1	Line item LIN+000010++926423:IN'
20	IMD	O	99	Item description IMD+++::Left mount:Iron'
	SG10	O	1	Framework agreement number/delivery schedule number
21	RFF	M	1	Framework agreement number/delivery schedule number RFF+ON:RN43277'
	SG12	O	1	Information contact
22	LOC	M	1	Place of destination / other internal locations LOC+159+:::N/A'
	SG13	R	1	Information contact
23	CTA	M	1	Contact information CTA+SC+DisIndex:Abteilung oder Mitarbeiter Name'
24	COM	O	2	Communication contact COM+00491234567890:TE'
	SG14	R	1	Delivery quantity
25	QTY	M	1	Delivery quantity QTY+113:500:C62'
26	UNT	M	1	Message trailer UNT+24+051020053'
27	UNZ	M	1	Interchange trailer UNZ+1+123'

Bez = Segment-/Gruppen-Bezeichner
 Zähler = Nummer der Segmente/Gruppen im Standard
 Nr = Laufende Segmentnummer im Guide
 MaxWdh = Maximale Wiederholung der Segmente/Gruppen

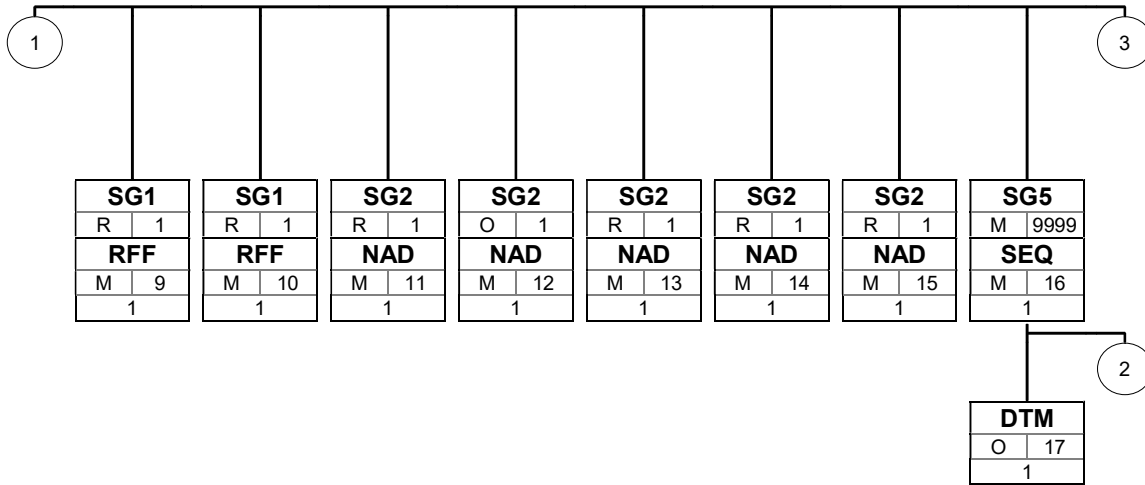
St = Status
 EDIFACT: M=Muss/Mandatory, C=Conditional
 Anwendung: R=Erforderlich/Required, O=Optional,
 D=Abhängig von/Dependent, A=Empfohlen/Advised, N=Nicht
 benutzt/Not used

Nachrichtenaufbaudiagramm benutzter Segmente/Gruppen



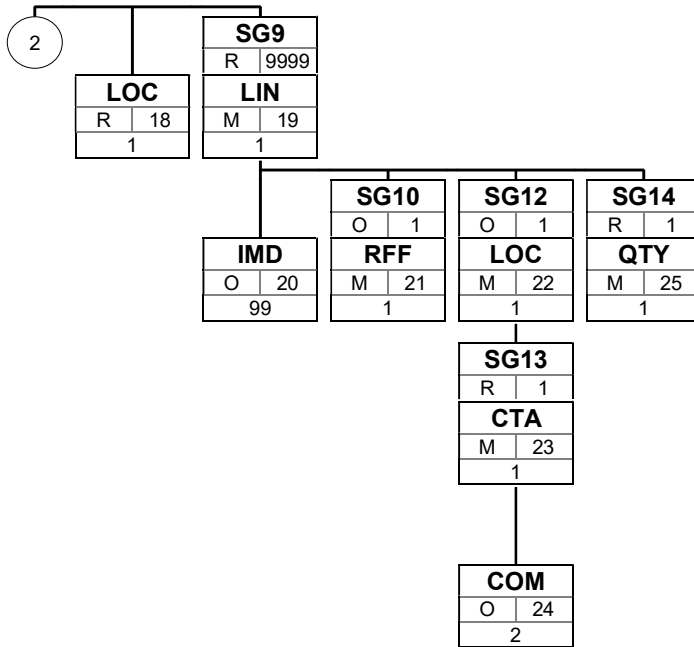
Bez	Bez = Segment-/Gruppen-Bezeichner, Nr = Laufende Segmentnummer im Guide, St = Status (M=Muss/Mandatory,
St Nr	C=Conditional, R=Erforderlich/Required, O=Optional, D=Abhängig von/Dependent, A=Empfohlen/Advised)
MaxWdh	MaxWdh = Maximale Wiederholung der Segmente/Gruppen,

Nachrichtenaufbaudiagramm benutzter Segmente/Gruppen



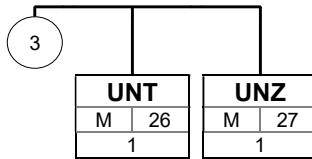
Bez	Bez = Segment-/Gruppen-Bezeichner, Nr = Laufende Segmentnummer im Guide, St = Status (M=Muss/Mandatory, C=Conditional, R=Erforderlich/Required, O=Optional, D=Abhängig von/Dependent, A=Empfohlen/Advised)
St Nr	
MaxWdh	MaxWdh = Maximale Wiederholung der Segmente/Gruppen,

Nachrichtenaufbaudiagramm benutzter Segmente/Gruppen



Bez	Bez = Segment-/Gruppen-Bezeichner, Nr = Laufende Segmentnummer im Guide, St = Status (M=Muss/Mandatory, C=Conditional, R=Erforderlich/Required, O=Optional, D=Abhängig von/Dependent, A=Empfohlen/Advised)
St Nr	
MaxWdh	MaxWdh = Maximale Wiederholung der Segmente/Gruppen,

Nachrichtenaufbaudiagramm benutzter Segmente/Gruppen



Bez	Bez = Segment-/Gruppen-Bezeichner, Nr = Laufende Segmentnummer im Guide, St = Status (M=Muss/Mandatory,
St Nr	C=Conditional, R=Erforderlich/Required, O=Optional, D=Abhängig von/Dependent, A=Empfohlen/Advised)
MaxWdh	MaxWdh = Maximale Wiederholung der Segmente/Gruppen,

Segments

No	Tag	St	MaxOcc	Name
1	UNA	O	1	Service string advice

Tag	Name	St	Format	Example	Usage / Remarks
UNA				UNA	
UNA1	Component data element separator	M	an1	:	Colon
UNA2	Data element separator	M	an1	+	Plus character
UNA3	Decimal notation	M	an1	.	Point
UNA4	Release indicator	M	an1	?	Question mark
UNA5	Reserved for future use	M	an1		
UNA6	Segment terminator	M	an1	'	Inverted comma

Remark:**Example:**

UNA:+.? '

No = Consecutive segment number, MaxOcc = Maximum occurrence of the segment/group St = Status: M/R = Mandatory/Required, C/O = Conditional/Optional, D = Dependent, N = Not used, a3 = exactly 3 alphabetic characters, n3 = exactly 3 numeric characters, an3 = exactly 3 alphanumeric characters, a..3 = up to 3 alphabetic characters, n..3 = up to 3 numeric characters, an..3 = up to 3 alphanumeric characters

Segments

No	Tag	St	MaxOcc	Name	
2	UNB	M	1	Interchange header	

Tag	Name	St	Format	Example	Usage / Remarks
UNB				UNB	
S001	Syntax identifier	M			
0001	Syntax identifier	M	a4	+UNOC	UNOA UN/ECE level A UNOB UN/ECE level B UNOC UN/ECE level C UNOD UN/ECE level D
0002	Syntax version number	M	n1	:3	2 Version 2 3 Version 3
S002	Interchange sender	M			
0004	Sender identification	M	an..35	+X	Unique ID of the sender in the data transmission network or system.
0007	Partner identification code qualifier	O	an..4	:1	
0008	Address for reverse routing	O	an..14	:X	Address of an application or internal system at sender's site to which answer messages should be routed.
S003	Interchange recipient	M			
0010	Recipient identification	M	an..35	+X	Unique ID of the receiver in the data transmission network or system.
0007	Partner identification code qualifier	O	an..4	:1	
0014	Routing address	O	an..14	:X	Address of an application or internal system at recipient's site.
S004	Date/time of preparation	M			
0017	Date of preparation	M	n6	+071005	Format YYMMDD
0019	Time of preparation	M	n4	:0951	Format HHMM
0020	Interchange control reference	M	an..14	+123	Unique ID of an interchange.
S005	Recipient's reference, password	N			
0022	Recipient's reference/password	N		+	Nicht benutzt
0026	Application reference	N		+	Nicht benutzt
0029	Processing priority code	N		+	Nicht benutzt
0031	Acknowledgement request	N		+	Nicht benutzt
0032	Communications agreement ID	N		+	Nicht benutzt
0035	Test indicator	O	n1	+1'	1 Interchange is a test Only to be used if the interchange is for test purposes. Omit this data element for valid interchanges.

Remark:

Example:

UNB+UNOC:3+X:1:X+X:1:X+071005:0951+123+++++1'

No = Consecutive segment number, MaxOcc = Maximum occurrence of the segment/group St = Status: M/R = Mandatory/Required, C/O = Conditional/Optional, D = Dependent, N = Not used, a3 = exactly 3 alphabetic characters, n3 = exactly 3 numeric characters, an3 = exactly 3 alphanumeric characters, a..3 = up to 3 alphabetic characters, n..3 = up to 3 numeric characters, an..3 = up to 3 alphanumeric characters

Segments

No	Tag	St	MaxOcc	Name
3	UNH	M	1	Message header

Tag	Name	St	Format	Example	Usage / Remarks
UNH				UNH	
0062	Message reference number	M	an..14	+051020053	
S009	Message identifier	M			
0065	Message type	M	an..6	+ DELJIT	DELJIT Delivery just in time message
0052	Message version number	M	an..3	: D	D Draft version/UN/EDIFACT Directory
0054	Message release number	M	an..3	: 18A	18A Release 2018 - A
0051	Controlling agency	M	an..2	: UN	UN UN/CEFACT
0057	Association assigned code	R	an..6	: GAVC21 '	Identification of the subset release, assigned by the responsible organisation (Odette resp. Joint Automotive Initiative Forum). GAVC21 VDA DELJIT Version 2.1

Remark:

Example:

UNH+051020053+DELJIT:D:18A:UN:GAVC21'

No = Consecutive segment number, MaxOcc = Maximum occurrence of the segment/group St = Status: M/R = Mandatory/Required, C/O = Conditional/Optional, D = Dependent, N = Not used, a3 = exactly 3 alphabetic characters, n3 = exactly 3 numeric characters, an3 = exactly 3 alphanumeric characters, a..3 = up to 3 alphabetic characters, n..3 = up to 3 numeric characters, an..3 = up to 3 alphanumeric characters

Segments

No	Tag	St	MaxOcc	Name
4	BGM	M	1	Beginning of message

Tag	Name	St	Format	Example	Usage / Remarks
BGM				BGM	
C002	Document/message name	R			
1001	Document name code	R	an..3	+340	340 Shipping instructions
1131	Code list identification code	N		:	Nicht benutzt
3055	Code list responsible agency code	O	an..3	:6	6 UN/ECE (United Nations - Economic Commission for Europe) Code specifying the agency responsible for a code list.
C106	Document/message identification	R			
1004	Document identifier	R	an..70	+JAMAEIE051	Unique identifier of a document. Synonym: document number Pick-up sheet number (1001 = 340)
1225	Message function code	O	an..3	+9'	9 - to specify the initial DELJIT with the supplier, 1 - may be used to cancel a complete previous call-off 1 Cancellation 9 Original Code indicating the function of the document.

Remark:

Example:

BGM+340::6+JAMAEIE051+9'

No = Consecutive segment number, MaxOcc = Maximum occurrence of the segment/group St = Status: M/R = Mandatory/Required, C/O = Conditional/Optional,
D = Dependent, N = Not used, a3 = exactly 3 alphabetic characters, n3 = exactly 3 numeric characters, an3 = exactly 3 alphanumeric characters,
a..3 = up to 3 alphabetic characters, n..3 = up to 3 numeric characters, an..3 = up to 3 alphanumeric characters

Segments

No	Tag	St	MaxOcc	Name
5	DTM	R	1	Message date

Tag	Name	St	Format	Example	Usage / Remarks
DTM				DTM	
C507	Date/time/period	M			
2005	Date or time or period function code qualifier	M	an..3	+137	137 Document issue date time
2380	Date or time or period text	R	an..35	:200509010723	Date on which a document or business signal was issued.
2379	Date or time or period format code	R	an..3	:203'	203 CCYMMDDHHMM

Remark:**Example:**

DTM+137:200509010723:203'

No = Consecutive segment number, MaxOcc = Maximum occurrence of the segment/group St = Status: M/R = Mandatory/Required, C/O = Conditional/Optional, D = Dependent, N = Not used, a3 = exactly 3 alphabetic characters, n3 = exactly 3 numeric characters, an3 = exactly 3 alphanumeric characters, a..3 = up to 3 alphabetic characters, n..3 = up to 3 numeric characters, an..3 = up to 3 alphanumeric characters

Segments

No	Tag	St	MaxOcc	Name
6	DTM	R	1	Collection date

Tag	Name	St	Format	Example	Usage / Remarks
DTM				DTM	
C507	Date/time/period	M			
2005	Date or time or period function code qualifier	M	an..3	+235	235 Collection date/time, latest
2380	Date or time or period text	R	an..35	:20180101	Collection date
2379	Date or time or period format code	R	an..3	:102'	102 CCYYMMDD 203 CCYYMMDDHHMM

Remark:**Example:**

DTM+235:20180101:102'

No = Consecutive segment number, MaxOcc = Maximum occurrence of the segment/group St = Status: M/R = Mandatory/Required, C/O = Conditional/Optional, D = Dependent, N = Not used, a3 = exactly 3 alphabetic characters, n3 = exactly 3 numeric characters, an3 = exactly 3 alphanumeric characters, a..3 = up to 3 alphabetic characters, n..3 = up to 3 numeric characters, an..3 = up to 3 alphanumeric characters

Segments

No	Tag	St	MaxOcc	Name
7	FTX	R	1	Transport information

Tag	Name	St	Format	Example	Usage / Remarks
FTX				FTX	
4451	Text subject code qualifier	M	an..3	+TRA	TRA Transportation information
4453	Free text function code	N		+	Nicht benutzt
C107	Text reference	O			
4441	Free text description code	R	an..17	+X01	Transport mode X01 Full truck load - with separate tender X02 Full truck load - within the scope of area contract freight forwarder X03 Milk run during unloading - with separate tender, direct contract X04 Milk run during unloading - within the scope of area contract freight forwarder X05 Distribution by area contract freight forwarder X06 Milk run during loading - with separate tender, direct contract X07 Milk run during loading - within the scope of area contract freight forwarder X08 Milk run during loading and unloading - with separate tender, direct contract X09 Milk run during loading and unloading - within the scope of area contract freight forwarder
1131	Code list identification code	N		:	Nicht benutzt
3055	Code list responsible agency code	R	an..3	:10	10 ODETTE
C108	Text literal	O			
4440	Free text	M	an..512	+T01	Transport means T01 Eurotrailer H 2.6, W 2.48, L 13.6 tarpauline or box T02 Megatrailer H 3.0, W 2.48, L 13.6 tarpauline or box T03 Jumbo swap body L 7.82, H 3.0, W 2.48 m T04 Jumbo trailer pull T05 7.5 ton T06 VAN / bus T07 Car T08 Aircraft T09 Ocean Vessel T10 Gialiner T11 Tautliner T12 Railway wagon T13 Gooseneck Chassis
4440	Free text	O	an..512	:1'	Loading sequence of a shipment on a means of transport (1 to 99)

Remark:

Example:

FTX+TRA++X01::10+T01:1'

No = Consecutive segment number, MaxOcc = Maximum occurrence of the segment/group St = Status: M/R = Mandatory/Required, C/O = Conditional/Optional, D = Dependent, N = Not used, a3 = exactly 3 alphabetic characters, n3 = exactly 3 numeric characters, an3 = exactly 3 alphanumeric characters, a..3 = up to 3 alphabetic characters, n..3 = up to 3 numeric characters, an..3 = up to 3 alphanumeric characters

Segments

No	Tag	St	MaxOcc	Name
	SG1	O	1	Special trip indicator 7 RFF
8	RFF	M	1	Special trip indicator 7 RFF

Tag	Name	St	Format	Example	Usage / Remarks
RFF				RFF	
C506	Reference	M			
1153	Reference code qualifier	M	an..3	+AKO	AKO Action authorization number
1154	Reference identifier	R	an..70	:S'	Special trip indicator 7 RFF

Remark:

Example:

RFF+AKO : S'

No = Consecutive segment number, MaxOcc = Maximum occurrence of the segment/group St = Status: M/R = Mandatory/Required, C/O = Conditional/Optional,
 D = Dependent, N = Not used, a3 = exactly 3 alphabetic characters, n3 = exactly 3 numeric characters, an3 = exactly 3 alphanumeric characters,
 a..3 = up to 3 alphabetic characters, n..3 = up to 3 numeric characters, an..3 = up to 3 alphanumeric characters

Segments

No	Tag	St	MaxOcc	Name
	SG1	R	1	Transport number, assigned by Mercedes-Benz
9	RFF	M	1	Transport number, assigned by Mercedes-Benz

Tag	Name	St	Format	Example	Usage / Remarks
RFF				RFF	
C506	Reference	M			
1153	Reference code qualifier	M	an..3	+AAO	AAO Consignment identifier, consignee assigned
1154	Reference identifier	R	an..35	:Transport number'	Transport number, assigned by Mercedes-Benz

Remark:

Example:

RFF+AAO:Transport number'

No = Consecutive segment number, MaxOcc = Maximum occurrence of the segment/group St = Status: M/R = Mandatory/Required, C/O = Conditional/Optional, D = Dependent, N = Not used, a3 = exactly 3 alphabetic characters, n3 = exactly 3 numeric characters, an3 = exactly 3 alphanumeric characters, a..3 = up to 3 alphabetic characters, n..3 = up to 3 numeric characters, an..3 = up to 3 alphanumeric characters

Segments

No	Tag	St	MaxOcc	Name
	SG1	R	1	Bordero prefix
10	RFF	M	1	Bordero prefix

Tag	Name	St	Format	Example	Usage / Remarks
RFF				RFF	
C506	Reference	M			
1153	Reference code qualifier	M	an..3	+AUS	AUS Delivery route reference
1154	Reference identifier	R	an..70	:2640'	Bordero prefix

Remark:

Example:

RFF+AUS:2640'

No = Consecutive segment number, MaxOcc = Maximum occurrence of the segment/group St = Status: M/R = Mandatory/Required, C/O = Conditional/Optional,
D = Dependent, N = Not used, a3 = exactly 3 alphabetic characters, n3 = exactly 3 numeric characters, an3 = exactly 3 alphanumeric characters,
a..3 = up to 3 alphabetic characters, n..3 = up to 3 numeric characters, an..3 = up to 3 alphanumeric characters

Segments

No	Tag	St	MaxOcc	Name
	SG2	R	1	Buyer
11	NAD	M	1	Buyer's Name and Address

Tag	Name	St	Format	Example	Usage / Remarks
NAD				NAD	
3035	Party function code qualifier	M	an..3	+BY	BY Buyer
C082	Party identification details	R			
3039	Party identifier	M	an..35	+234348769	Customer number assigned to the Mercedes-Benz (plant) by the supplier (3055 = 91). Three-digit plant code of the Mercedes-Benz plant (3055 = 92).
1131	Code list identification code	N		:	Nicht benutzt
3055	Code list responsible agency code	R	an..3	:91	92 Assigned by buyer or buyer's agent 91 Assigned by seller or seller's agent Code specifying the agency responsible for a code list.
C058	Name and address	N			
3124	Name and address description	N		+	Nicht benutzt
C080	Party name	O			
3036	Party name	M	an..70	+Name1	Single text line for specification of a name
3036	Party name	O	an..70	:Name2	Single text line for specification of a name
C059	Street	O			
3042	Street and number or post office box identifier	M	an..256	+Street1	The name that identifies the location of a house or building: usually within a street as part of an address.
3042	Street and number or post office box identifier	O	an..256	:Street2	The name that identifies the location of a house or building: usually within a street as part of an address.
3164	City name	O	an..35	+City	The name of the city, town, or village of this address.
C819	Country subdivision details	O			
3229	Country subdivision identifier	R	an..9	+DE-MV	State or region within a country. The use of UN LoCodes is recommended.
3251	Postal identification code	O	an..17	+12345	The identifier for one or more properties according to the postal service of that country; a group of letters and/or numbers added to the postal address to assist in the sorting of mail.
3207	Country identifier	O	an..3	+DE'	Provides the country part of an address using a code. Use ISO3166 two alpha code.

Remark:

Party to whom merchandise and/or service is sold.

Example:

NAD+BY+234348769::91++Name1:Name2+Street1:Street2+City+DE-MV+12345+DE'

No = Consecutive segment number, MaxOcc = Maximum occurrence of the segment/group St = Status: M/R = Mandatory/Required, C/O = Conditional/Optional, D = Dependent, N = Not used, a3 = exactly 3 alphabetic characters, n3 = exactly 3 numeric characters, an3 = exactly 3 alphanumeric characters, a..3 = up to 3 alphabetic characters, n..3 = up to 3 numeric characters, an..3 = up to 3 alphanumeric characters

Segments

No	Tag	St	MaxOcc	Name
	SG2	O	1	Seller Party
12	NAD	M	1	Seller's Name and Address

Tag	Name	St	Format	Example	Usage / Remarks
NAD				NAD	
3035	Party function code qualifier	M	an..3	+SE	SE Seller
C082	Party identification details	R			
3039	Party identifier	R	an..35	+84752347	Unique identification of a party by an ID.
1131	Code list identification code	N		:	Nicht benutzt
3055	Code list responsible agency code	R	an..3	:92	91 Assigned by seller or seller's agent 92 Assigned by buyer or buyer's agent Code specifying the agency responsible for a code list.
C058	Name and address	N			
3124	Name and address description	N		+	Nicht benutzt
C080	Party name	O			
3036	Party name	M	an..70	+Name1	Single text line for specification of a name
3036	Party name	O	an..70	:Name2	Single text line for specification of a name
C059	Street	O			
3042	Street and number or post office box identifier	M	an..256	+Street1	The name that identifies the location of a house or building: usually within a street as part of an address.
3042	Street and number or post office box identifier	O	an..256	:Street2	The name that identifies the location of a house or building: usually within a street as part of an address.
3164	City name	O	an..35	+City	The name of the city, town, or village of this address.
C819	Country subdivision details	O			
3229	Country subdivision identifier	R	an..9	+DE-MV	State or region within a country. The use of UN LoCodes is recommended.
3251	Postal identification code	O	an..17	+12345	The identifier for one or more properties according to the postal service of that country; a group of letters and/or numbers added to the postal address to assist in the sorting of mail.
3207	Country identifier	O	an..3	+DE'	Provides the country part of an address using a code. Use ISO3166 two alpha code.

Remark:

Party selling merchandise to a buyer.

Example:

NAD+SE+84752347::92++Name1:Name2+Street1:Street2+City+DE-MV+12345+DE'

No = Consecutive segment number, MaxOcc = Maximum occurrence of the segment/group St = Status: M/R = Mandatory/Required, C/O = Conditional/Optional, D = Dependent, N = Not used, a3 = exactly 3 alphabetic characters, n3 = exactly 3 numeric characters, an3 = exactly 3 alphanumeric characters, a..3 = up to 3 alphabetic characters, n..3 = up to 3 numeric characters, an..3 = up to 3 alphanumeric characters

Segments

No	Tag	St	MaxOcc	Name
	SG2	R	1	Ship-from
13	NAD	M	1	Ship From's Name and Address

Tag	Name	St	Format	Example	Usage / Remarks
NAD				NAD	
3035	Party function code qualifier	M	an..3	+SF	SF Ship from
C082	Party identification details	R			
3039	Party identifier	M	an..35	+12345678A	Unique identification of a party by an ID.
1131	Code list identification code	N		:	Nicht benutzt
3055	Code list responsible agency code	R	an..3	:92	92 Assigned by buyer or buyer's agent Code specifying the agency responsible for a code list.
C058	Name and address	N			
3124	Name and address description	N		+	Nicht benutzt
C080	Party name	O			
3036	Party name	M	an..70	+Name1	Single text line for specification of a name
3036	Party name	O	an..70	:Name2	Single text line for specification of a name
C059	Street	O			
3042	Street and number or post office box identifier	M	an..256	+Street1	The name that identifies the location of a house or building: usually within a street as part of an address.
3042	Street and number or post office box identifier	O	an..256	:Street2	The name that identifies the location of a house or building: usually within a street as part of an address.
3164	City name	O	an..35	+City	The name of the city, town or village of this address.
C819	Country subdivision details	O			
3229	Country subdivision identifier	R	an..9	+	State or region within a country. The use of UN LoCodes is recommended.
3251	Postal identification code	O	an..17	+12345	The identifier for one or more properties according to the postal service of that country; a group of letters and/or numbers added to the postal address to assist in the sorting of mail.
3207	Country identifier	O	an..3	+DE'	Provides the country part of an address using a code. Use ISO3166 two alpha code.

Remark:

The party which consigns or sends goods.

Example:

NAD+SF+12345678A::92++Name1:Name2+Street1:Street2+City++12345+DE'

No = Consecutive segment number, MaxOcc = Maximum occurrence of the segment/group St = Status: M/R = Mandatory/Required, C/O = Conditional/Optional, D = Dependent, N = Not used, a3 = exactly 3 alphabetic characters, n3 = exactly 3 numeric characters, an3 = exactly 3 alphanumeric characters, a..3 = up to 3 alphabetic characters, n..3 = up to 3 numeric characters, an..3 = up to 3 alphanumeric characters

Segments

No	Tag	St	MaxOcc	Name
	SG2	R	1	Ship-to party
14	NAD	M	1	ShipTo party's name and address

Tag	Name	St	Format	Example	Usage / Remarks
NAD				NAD	
3035	Party function code qualifier	M	an..3	+ST	ST Ship to
C082	Party identification details	R			
3039	Party identifier	M	an..35	+067	Unique identification of a party by an ID.
1131	Code list identification code	N		:	Nicht benutzt
3055	Code list responsible agency code	R	an..3	:92	92 Assigned by buyer or buyer's agent Code specifying the agency responsible for a code list.
C058	Name and address	N			
3124	Name and address description	N		+	Nicht benutzt
C080	Party name	O			
3036	Party name	M	an..70	+Name1	Single text line for specification of a name
3036	Party name	O	an..70	:Name2	Single text line for specification of a name
C059	Street	O			
3042	Street and number or post office box identifier	M	an..256	+Street1	The name that identifies the location of a house or building: usually within a street as part of an address.
3042	Street and number or post office box identifier	O	an..256	:Street2	The name that identifies the location of a house or building: usually within a street as part of an address.
3164	City name	O	an..35	+City	The name of the city, town, or village of this address.
C819	Country subdivision details	O			
3229	Country subdivision identifier	R	an..9	+	State or region within a country. The use of UN LoCodes is recommended.
3251	Postal identification code	O	an..17	+12345	The identifier for one or more properties according to the postal service of that country; a group of letters and/or numbers added to the postal address to assist in the sorting of mail.
3207	Country identifier	O	an..3	+DE'	Provides the country part of an address using a code. Use ISO3166 two alpha code.

Remark:

The party to which goods are to be shipped (consigned).

Example:

NAD+ST+067::92++Name1:Name2+Street1:Street2+City++12345+DE'

No = Consecutive segment number, MaxOcc = Maximum occurrence of the segment/group St = Status: M/R = Mandatory/Required, C/O = Conditional/Optional, D = Dependent, N = Not used, a3 = exactly 3 alphabetic characters, n3 = exactly 3 numeric characters, an3 = exactly 3 alphanumeric characters, a..3 = up to 3 alphabetic characters, n..3 = up to 3 numeric characters, an..3 = up to 3 alphanumeric characters

Segments

No	Tag	St	MaxOcc	Name
	SG2	R	1	Freight forwarder
15	NAD	M	1	Freight forwarder - ID, name, address

Tag	Name	St	Format	Example	Usage / Remarks
NAD				NAD	
3035	Party function code qualifier	M	an..3	+FW	FW Freight forwarder
C082	Party identification details	O			
3039	Party identifier	R	an..35	+Identifier	Unique identifier of business partner (customer number, supplier number, DUNS number, etc.).
1131	Code list identification code	N		:	Nicht benutzt
3055	Code list responsible agency code	R	an..3	:92	Code specifying the agency responsible for a code list. 92 Assigned by buyer or buyer's agent
C058	Name and address	N			
3124	Name and address description	N		+	Nicht benutzt
C080	Party name	O			
3036	Party name	M	an..70	+Name1	Freight Forwarder's Name Single text line for specification of a name see 3036 # 1
3036	Party name	O	an..70	:Name2	
C059	Street	O			
3042	Street and number or post office box identifier	M	an..256	+Street1	Part of address identifying the location of a building, normally given together with street see 3042 # 1
3042	Street and number or post office box identifier	O	an..256	:Street2	
3164	City name	O	an..35	+City	The name of the city, town, or village of this address.
C819	Country subdivision details	O			
3229	Country subdivision identifier	R	an..9	+	State or region within a country. The use of UN LoCodes is recommended.
3251	Postal identification code	O	an..17	+12345	Identifier of one or more address data properties according to the postal service of the respective country
3207	Country identifier	O	a2	+DE'	Provides the country part of an address using a code. Use ISO3166 two alpha code.

Remark:

The freight forwarder is the business partner put in charge of the organisation of the transport

Example:

NAD+FW+Identifier::92++Name1:Name2+Street1:Street2+City++12345+DE'

No = Consecutive segment number, MaxOcc = Maximum occurrence of the segment/group St = Status: M/R = Mandatory/Required, C/O = Conditional/Optional, D = Dependent, N = Not used, a3 = exactly 3 alphabetic characters, n3 = exactly 3 numeric characters, an3 = exactly 3 alphanumeric characters, a..3 = up to 3 alphabetic characters, n..3 = up to 3 numeric characters, an..3 = up to 3 alphanumeric characters

Segments

No	Tag	St	MaxOcc	Name
	SG5	M	9999	Delivery Instruction Line PUS
16	SEQ	M	1	Sequence details

Tag	Name	St	Format	Example	Usage / Remarks
SEQ				SEQ	
1229	Action code	R	an..3	+40'	40 Agreed

Remark:

Example:

SEQ+40'

No = Consecutive segment number, MaxOcc = Maximum occurrence of the segment/group St = Status: M/R = Mandatory/Required, C/O = Conditional/Optional, D = Dependent, N = Not used, a3 = exactly 3 alphabetic characters, n3 = exactly 3 numeric characters, an3 = exactly 3 alphanumeric characters, a..3 = up to 3 alphabetic characters, n..3 = up to 3 numeric characters, an..3 = up to 3 alphanumeric characters

Segments

No	Tag	St	MaxOcc	Name
	SG5	M	9999	Delivery Instruction Line PUS
17	DTM	O	1	Nominal goods-in date

Tag	Name	St	Format	Example	Usage / Remarks
DTM				DTM	
C507	Date/time/period	M			
2005	Date or time or period function code qualifier	M	an..3	+2	2 Delivery date/time, requested
2380	Date or time or period text	R	an..35	:20121212	Nominal goods-in date
2379	Date or time or period format code	R	an..3	:102'	102 CCYYMMDD

Remark:**Example:**

DTM+2:20121212:102'

No = Consecutive segment number, MaxOcc = Maximum occurrence of the segment/group St = Status: M/R = Mandatory/Required, C/O = Conditional/Optional, D = Dependent, N = Not used, a3 = exactly 3 alphabetic characters, n3 = exactly 3 numeric characters, an3 = exactly 3 alphanumeric characters, a..3 = up to 3 alphabetic characters, n..3 = up to 3 numeric characters, an..3 = up to 3 alphanumeric characters

Segments

No	Tag	St	MaxOcc	Name
	SG5	M	9999	Delivery Instruction Line PUS
18	LOC	R	1	Place of discharge / place of delivery

Tag	Name	St	Format	Example	Usage / Remarks
LOC				LOC	
3227	Location function code qualifier	M	an..3	+11	11 Place of discharge
C517	Location identification	R			
3225	Location identifier	O	an..35	+A90	Identifier / code specifying the name of a location.
1131	Code list identification code	N		:	Nicht benutzt
3055	Code list responsible agency code	R	an..3	:92'	Code specifying the agency responsible for a code list. 92 Assigned by buyer or buyer's agent

Remark:

Only one unloading point is specified per message.

Example:

LOC+11+A90::92'

No = Consecutive segment number, MaxOcc = Maximum occurrence of the segment/group St = Status: M/R = Mandatory/Required, C/O = Conditional/Optional, D = Dependent, N = Not used, a3 = exactly 3 alphabetic characters, n3 = exactly 3 numeric characters, an3 = exactly 3 alphanumeric characters, a..3 = up to 3 alphabetic characters, n..3 = up to 3 numeric characters, an..3 = up to 3 alphanumeric characters

Segments

No	Tag	St	MaxOcc	Name
	SG5	M	9999	Delivery Instruction Line PUS
	SG9	R	9999	Product Item Line
19	LIN	M	1	Line item

Tag	Name	St	Format	Example	Usage / Remarks
LIN				LIN	
1082	Line item identifier	O	an..6	+000010	
1229	Action code	N		+	Nicht benutzt
C212	Item number identification	R			
7140	Item identifier	R	an..35	+926423	Information directly relating to the identification of an article by the buyer's identification system. Note: The term article is synonymous with the term item. Since in the global joint automotive projects the term article has been used, this naming convention has been continued.
7143	Item type identification code	R	an..3	:IN'	IN Buyer's item number

Remark:**Example:**

LIN+000010++926423:IN'

No = Consecutive segment number, MaxOcc = Maximum occurrence of the segment/group St = Status: M/R = Mandatory/Required, C/O = Conditional/Optional, D = Dependent, N = Not used, a3 = exactly 3 alphabetic characters, n3 = exactly 3 numeric characters, an3 = exactly 3 alphanumeric characters, a..3 = up to 3 alphabetic characters, n..3 = up to 3 numeric characters, an..3 = up to 3 alphanumeric characters

Segments

No	Tag	St	MaxOcc	Name
	SG5	M	9999	Delivery Instruction Line PUS
	SG9	R	9999	Product Item Line
20	IMD	O	99	Item description

Tag	Name	St	Format	Example	Usage / Remarks
IMD				IMD	
7077	Description format code	N		+	Nicht benutzt
C272	Item characteristic	N			
7081	Item characteristic code	N		+	Nicht benutzt
C273	Item description	R			
7009	Item description code	N		+	Nicht benutzt
1131	Code list identification code	N		:	Nicht benutzt
3055	Code list responsible agency code	N		:	Nicht benutzt
7008	Item description	O	an..256	:Left mount	The short name or description of an article or service in plain text.
7008	Item description	O	an..256	:Iron'	The short name or description of an article or service in plain text.

Remark:

Example:

IMD+++:::Left mount:Iron'

No = Consecutive segment number, MaxOcc = Maximum occurrence of the segment/group St = Status: M/R = Mandatory/Required, C/O = Conditional/Optional, D = Dependent, N = Not used, a3 = exactly 3 alphabetic characters, n3 = exactly 3 numeric characters, an3 = exactly 3 alphanumeric characters, a..3 = up to 3 alphabetic characters, n..3 = up to 3 numeric characters, an..3 = up to 3 alphanumeric characters

Segments

No	Tag	St	MaxOcc	Name
	SG5	M	9999	Delivery Instruction Line PUS
	SG9	R	9999	Product Item Line
	SG10	O	1	Framework agreement number/delivery schedule number
21	RFF	M	1	Framework agreement number/delivery schedule number

Tag	Name	St	Format	Example	Usage / Remarks
RFF				RFF	
C506	Reference	M			
1153	Reference code qualifier	M	an..3	+ON	ON Order document identifier, buyer assigned
1154	Reference identifier	R	an..70	:RN43277 '	Framework agreement number/delivery schedule number

Remark:

Example:

RFF+ON:RN43277 '

No = Consecutive segment number, MaxOcc = Maximum occurrence of the segment/group St = Status: M/R = Mandatory/Required, C/O = Conditional/Optional, D = Dependent, N = Not used, a3 = exactly 3 alphabetic characters, n3 = exactly 3 numeric characters, an3 = exactly 3 alphanumeric characters, a..3 = up to 3 alphabetic characters, n..3 = up to 3 numeric characters, an..3 = up to 3 alphanumeric characters

Segments

No	Tag	St	MaxOcc	Name
	SG5	M	9999	Delivery Instruction Line PUS
	SG9	R	9999	Product Item Line
	SG12	O	1	Information contact
22	LOC	M	1	Place of destination / other internal locations

Tag	Name	St	Format	Example	Usage / Remarks
LOC				LOC	
3227	Location function code qualifier	M	an..3	+159	159 Additional internal destination
C517	Location identification	R			
3225	Location identifier	N		+	Nicht benutzt
1131	Code list identification code	N		:	Nicht benutzt
3055	Code list responsible agency code	N		:	Nicht benutzt
3224	Location name	R	an..256	:N/A'	N/A fix value not available

Remark:**Example:**

LOC+159+:::N/A'

No = Consecutive segment number, MaxOcc = Maximum occurrence of the segment/group St = Status: M/R = Mandatory/Required, C/O = Conditional/Optional, D = Dependent, N = Not used, a3 = exactly 3 alphabetic characters, n3 = exactly 3 numeric characters, an3 = exactly 3 alphanumeric characters, a..3 = up to 3 alphabetic characters, n..3 = up to 3 numeric characters, an..3 = up to 3 alphanumeric characters

Segments

No	Tag	St	MaxOcc	Name
	SG5	M	9999	Delivery Instruction Line PUS
	SG9	R	9999	Product Item Line
	SG12	O	1	Information contact
	SG13	R	1	Information contact
23	CTA	M	1	Contact information

Tag	Name	St	Format	Example	Usage / Remarks
CTA				CTA	
3139	Contact function code	R	an..3	+SC	SC Schedule contact
C056	Contact details	O			
3413	Contact identifier	O	an..17	+DisIndex	Planners index Identifies the employee by a unique identifier other than their name when given as a contact.
3412	Contact name	O	an..256	:Abteilung oder Mitarbeiter Name'	Name of the contact person

Remark:

Article related information that identifies the contact person or department responsible for the scheduling of deliveries. This contact may change from item to item and is therefore related to the scheduled article level rather than to the ship-to level.

Example:

CTA+SC+DisIndex:Abteilung oder Mitarbeiter Name'

Segments

No	Tag	St	MaxOcc	Name
	SG5	M	9999	Delivery Instruction Line PUS
	SG9	R	9999	Product Item Line
	SG12	O	1	Information contact
	SG13	R	1	Information contact
24	COM	O	2	Communication contact

Tag	Name	St	Format	Example	Usage / Remarks
COM				COM	
C076	Communication contact	M			
3148	Communication address identifier	M	an..512	+00491234567890	The number or virtual 'address' in a telecommunication system.
3155	Communication means type code	M	an..3	:TE'	TE Telephone EM Electronic mail

Remark:**Example:**

COM+00491234567890:TE'

No = Consecutive segment number, MaxOcc = Maximum occurrence of the segment/group St = Status: M/R = Mandatory/Required, C/O = Conditional/Optional, D = Dependent, N = Not used, a3 = exactly 3 alphabetic characters, n3 = exactly 3 numeric characters, an3 = exactly 3 alphanumeric characters, a..3 = up to 3 alphabetic characters, n..3 = up to 3 numeric characters, an..3 = up to 3 alphanumeric characters

Segments

No	Tag	St	MaxOcc	Name
	SG5	M	9999	Delivery Instruction Line PUS
	SG9	R	9999	Product Item Line
	SG14	R	1	Delivery quantity
25	QTY	M	1	Delivery quantity

Tag	Name	St	Format	Example	Usage / Remarks
QTY				QTY	
C186	Quantity details	M			
6063	Quantity type code qualifier	M	an..3	+113	113 Quantity to be delivered
6060	Quantity	M	an..35	:500	Quantity, scheduled or instructed for delivery
6411	Measurement unit code	R	an..8	:C62'	Code specifying the unit of measurement, use UN/ECE Recommendation 20, Common code. C62 one PCE piece SET set MTR metre MTK square metre MTQ cubic metre LTR litre TNE tonne (metric ton) KGM kilogram KMT kilometre PCE und C62 sind Synonym für Stück. PCE and C62 are ynonymous for piece GRM gram MLT millilitre MMT millimetre PR pair RO roll DR drum

Remark:

Example:

QTY+113:500:C62'

No = Consecutive segment number, MaxOcc = Maximum occurrence of the segment/group St = Status: M/R = Mandatory/Required, C/O = Conditional/Optional, D = Dependent, N = Not used, a3 = exactly 3 alphabetic characters, n3 = exactly 3 numeric characters, an3 = exactly 3 alphanumeric characters, a..3 = up to 3 alphabetic characters, n..3 = up to 3 numeric characters, an..3 = up to 3 alphanumeric characters

Segments

No	Tag	St	MaxOcc	Name
26	UNT	M	1	Message trailer

Tag	Name	St	Format	Example	Usage / Remarks
UNT				UNT	
0074	Number of segments in the message	M	n..6	+24	Control value: number of segments
0062	Message reference number	M	an..14	+051020053'	Control value: message reference number

Remark:**Example:**

UNT+24+051020053'

No = Consecutive segment number, MaxOcc = Maximum occurrence of the segment/group St = Status: M/R = Mandatory/Required, C/O = Conditional/Optional, D = Dependent, N = Not used, a3 = exactly 3 alphabetic characters, n3 = exactly 3 numeric characters, an3 = exactly 3 alphanumeric characters, a..3 = up to 3 alphabetic characters, n..3 = up to 3 numeric characters, an..3 = up to 3 alphanumeric characters

Segments

No	Tag	St	MaxOcc	Name
27	UNZ	M	1	Interchange trailer

Tag	Name	St	Format	Example	Usage / Remarks
UNZ				UNZ	
0036	Interchange control count	M	n..6	+1	
0020	Interchange control reference	M	an..14	+123'	

Remark:

Example:

UNZ+1+123'

No = Consecutive segment number, MaxOcc = Maximum occurrence of the segment/group St = Status: M/R = Mandatory/Required, C/O = Conditional/Optional,
D = Dependent, N = Not used, a3 = exactly 3 alphabetic characters, n3 = exactly 3 numeric characters, an3 = exactly 3 alphanumeric characters,
a..3 = up to 3 alphabetic characters, n..3 = up to 3 numeric characters, an..3 = up to 3 alphanumeric characters