

# Mercedes-Benz

## Electronic Data Interchange Manual (EDI)

*ALD00001296*

### 04. Delivery note and transport data

## Contacts

Mercedes-Benz AG  
SC/WT department

Mail: [ibl-support@mercedes-benz.com](mailto:ibl-support@mercedes-benz.com)  
Phone: +49 (0)30 / 887 215 588

Mercedes-Benz AG  
Stuttgart, Germany  
[www.mercedes-benz.com](http://www.mercedes-benz.com)

Copyright © Mercedes-Benz AG. All rights reserved. Any titles from this document may not be reproduced in any form (by printing, photocopying, microfilm or any other method) and may not be processed, copied or distributed using electronic systems without explicit approval from the publisher.

## Table of contents

Table of contents	3
1 Delivery note and transport data according to VDA4913	5
1.1 How the delivery note and transport data message according to VDA4913 fits into the goods receipt process at Mercedes-Benz AG plants	5
1.2 Objectives of the delivery note and transport data EDI according to VDA 4913	7
1.3 The VDA 4913 message	8
1.4 Process optimization by data quality management (DQM)	9
1.5 Structure of the VDA 4913 message	10
1.6 Notes on record types and data elements	10
1.6.1 Field description	12
1.7 Special cases for the delivery note and transport data message	45
1.7.1 Corrections	45
1.7.2 EDI resend capability	45
1.7.3 EDI problems	45
1.7.4 Emergencies	45
1.7.5 Sample deliveries	45
1.7.6 Return of empties	46
1.7.7 Central loading unit for deliveries via courier service	47
1.7.8 Special trips	47
1.8 Contact person for problems with the EDIS communication computer:	49
1.9 Tips and information	49
1.10 Transport management	51
1.10.1 Data transmission	51
1.10.2 Notes on record types and data elements	51
1.11 Generation by JIT and JIS suppliers (VDA 4913/JIT)	56
1.11.1 Brief description of JIT and JIS suppliers	56
1.11.2 Notes on record types and data elements	56
1.12 Triangular traffic	58
1.12.1 Data sender via VDA 4913	58
1.12.2 Data sender via Edifact	58
1.12.3 Data sender via DQM	59
1.13 Generation by EDL (external service provider) (VDA 4913/EDL)	60

1.13.1	Brief description	60
1.13.2	Notes on record types and data elements	60
1.14	RFID or JISP	64

## Delivery note and transport data according to VDA4913

The delivery note and transport data EDI, according to VDA4913, is the core message for material-accompanying information. Our company has supported this application since 1984. It is our assumption that **all** incoming goods shipments will be notified in advance with a delivery note EDI.

Delivery note data according to VDA 4913 are to be provided by:

- suppliers (of series and non-series material)
- JIT and JIS suppliers
- external service providers (EDL)
- LLZ

Some special requirements for completing the data fields apply for certain data sender groups.

Instructions and rules applicable to all groups are explained in sections 0 to 0. The special requirements for generating VDA4913 data for JIT and JIS suppliers, external service providers and area contract freight forwarders are then discussed separately.

### How the delivery note and transport data message according to VDA4913 fits into the goods receipt process at Mercedes-Benz AG plants

Immediately on arrival in the plant, the truck driver reports to the truck management station. Provided the EDI was sent in good time, the data is already in our user systems in an AVIS file ("Avis" = advice notification). The data is actually received by the T-Systems **EDIS** system, and automatically forwarded to the target user systems.

The staff at the counter input the keys shown in the waybill into the Mercedes-Benz AG **goods receipt systems**, and the data as per the advice notification are posted as a goods entry.

Your EDI data is handed to the truck driver as an unloading list and clearance voucher, with comments confirming arrival of the consignment, for presentation to the unloading points. The truck is then driven to the unloading point(s) in the plant.

Unfortunately, for process reliability reasons it is **not** possible to eliminate all hard-copy documentation for supplier information accompanying goods consignment.

There are two options for hard-copy documents for delivery note EDI:

**The documents are protected by copyright. Any use beyond the narrow limits of the copyright law is not permissible without the approval of Mercedes-Benz AG.**

- **EDI goods accompanying slip** according to VDA 4912 (see chapter 6). The use of this slip significantly reduces the volume of paper documents. The submission of an EDI goods accompanying slip is mandatory for all Mercedes-Benz AG plants.
- **Shipment document according to VDA 4939, which also replaces the forwarding instruction**
- **Important: Delivery note according to DIN 4991** must **not** be used.

## Objectives of the delivery note and transport data EDI according to VDA 4913

- Advance notification by EDI to the goods recipient advising that a shipment is on the way: **the information arrives before the goods**. The data must be transmitted at the latest when the goods are in the supplier's outgoing goods department.
- They are used for material tracking and further processing by freight forwarders (ingoing scan) and by the Mercedes-Benz plants.
- High material availability with minimum stock. The material in the process of being transported can be included in the assessment of stock and available material. This means fewer queries from the ordering party to the sender/supplier.
- Easier entry of delivery note and transport data for the recipient of the data.
- Possibility of "automatic" GR processing, sometimes even "self-service" processing by the truck driver; this will become an increasingly widely used method.
- State-of-the-art goods receipt process by scanning of package labels, based on packing material data according to VDA 4913.
- The invoice checking desk receives the delivery note data EDI via an interface. There are fewer delays with processing payments, since receiving the data by EDI eliminates all data entry errors by the goods recipient.

### **Please also note the VDA projects:**

API in the transport chain (VDA 4998) and paperless transport processes (VDA 4999)

- [Current projects of the AK KIT - VDA](#)

## The VDA 4913 message

The delivery note and transport data message according to VDA 4913 is one of the main messages and an **absolute requirement**. This applies to all transport modes including special trips.

It demands an especially high level of process quality, and compliance with the following requirements is particularly important:

- **Timely transmission**

To ensure the early detection and efficient elimination of errors in information flows, the data must be sent sufficiently early in the process to leave time for the initiating party (data sender) to correct any errors using the Internet-based Mercedes-Benz data quality management (DQM) application (see item 0).

The data must be sent to the goods recipient by no later than immediately after the consignment handover to the goods recipient. Reason: For groupage consignments, our area contract freight forwarders generate a transport EDI according to VDA recommendation 4921. VDA 4921 quotes the **consignment number** and the **delivery note numbers** in the VDA 4913 message.

With certain processes, it may be necessary to send the data even earlier (see e.g. item 0).

- **Demarcation of consignments**

The **consignment loading reference number** (record type 712) is used to group 1 to n delivery notes into a single consignment. **Only one unloading point** may be used within one consignment. The EDI and actual loading details must be exactly the same.

- **Packaging information**

Record type 715 shows packing material information. One of its functions is to make the link with the material label according to VDA 4902. The EDI and the label must correspond, because the barcode scan is checked against the EDI content. This is described in detail in the VDA message.

In order to avoid problems and queries with the data flow and goods receipt process, please be particularly careful to observe the requirements described in the next few pages.

- **Agreement of data and physical goods**

The EDI data, goods receipt/issue documents (goods accompanying slip and material label) must **always** be in agreement with the delivered goods. The correct delivery location must always be specified!

If the data are changed, the papers need to be updated.

**The same applies if the physical goods themselves are changed.**

**The documents are protected by copyright. Any use beyond the narrow limits of the copyright law is not permissible without the approval of Mercedes-Benz AG.**



- **Compliance with the VDA 4913 structure**

Field lengths, field formats and structures must be observed

## Process optimization by data quality management (DQM)

Mercedes-Benz AG provides an Internet-based data quality management system (DQM) in order to improve the quality of data. This gives suppliers a very simple and effective way to check their EDI messages for completeness and correctness immediately after transmission, and to make corrections if necessary.

If it is not possible for you to create all delivery note data via standard EDI (e.g. according to VDA 4913), special transactions can be created and sent for all processes in the DQM under the navigation point "New consignment".

Comprehensive information on the DQM application and the delivery note EDI is available on the Mercedes-Benz suppliers portal, at

<http://supplier.mercedes-benz.com>

In the Navigation "**Collaboration**" - "**Production and Logistics**" in the subject block "**Data Communication with Mercedes-benz AG**".

## **Contact**

Logistics Quality Services (LQS)

Mail: [ibl-support@mercedes-benz.com](mailto:ibl-support@mercedes-benz.com)

Phone: +49 (0)30 / 887 215 588

## Structure of the VDA 4913 message

Current VDA recommendation:

1st edition of Version 04 (date: March/96).

### Data records:

Record type	Description	Notes
711	Header record	Identifies the partners. Defines purpose of communication
712	Transport record	Describes the transport
713	Delivery note header record	Contains delivery note number, unloading point, etc.
714	Delivery note position record	Describes the item and the delivery quantity
715	Packing material record	Describes packaging. Links EDI to VDA 4902 material label
716	Text record on delivery note position	Used to indicate the change status
717	Individual package support record	Optional for external service provider processing <b>DO NOT</b> send to Mercedes-Benz AG
718	Production number record	<b>Only</b> for JIT/JIS
719	Trailer record	Contains the statistics of the data transmission

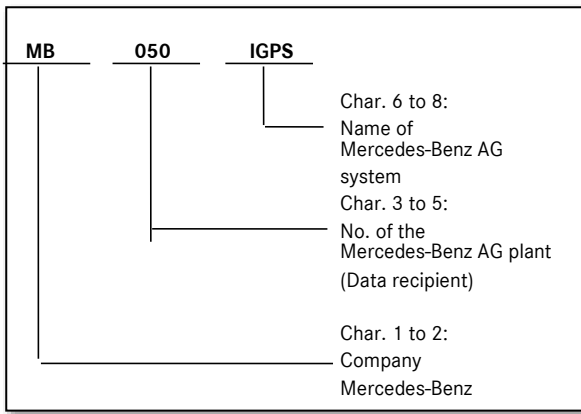
### Notes on record types and data elements

In order to minimize problems when creating messages, various items are described below.

- **Header**

This is part of the interchange protocol, not the message. The routing of the message into the "right" goods receipt system takes place through the entry of the filename in the SFID. If you have any further enquiries, please contact the T-Systems EDI Customer Support (contact person in Chapter 1)

Example of the header structure for the VDA 4913 message:



*Field description**Record type 711*

Record type 711					
Identifies the partners. Defines purpose of communication					
Field	Field format	Field length	Optional/mandatory	Designation	Example of an entry
Pos: 02	N	2	M	Version number	03

**Description:**

Entry 03 must be made here

Field	Field format	Field length	Optional/mandatory	Designation	Example of an entry
Pos: 03	CO	9	M	Data recipient plant	10005007 for Sindelfingen

**Description:**

ID number of the Mercedes-Benz AG plant that the data is sent to.

Field	Field format	Field length	Optional/mandatory	Designation	Example of an entry
Pos: 04	CO	9	M	Data sender number	12345678A

**Description:**

Numeric entry of the **supplier number**; flush left (no slash). 9th character must be a SPACE if there is only one supplier location. For multiple supplier locations, the 9th character must contain the assigned index.

Where an index is required for a new supplier location, an application to this effect has to be submitted to the responsible Mercedes-Benz AG MRP controller for the material.

Field	Field format	Field length	Optional/mandatory	Designation	Example of an entry
Pos: 06	N	5	M	New interchange number	12345

The documents are protected by copyright. Any use beyond the narrow limits of the copyright law is not permissible without the approval of Mercedes-Benz AG.

**Description**

ID number for EDI.

Numeric entry, right-justified with **leading zeroes**. The value must be at least one higher than the **interchange no. OLD**. Jumps in number assignments are permitted for data transmissions to Mercedes-Benz AG.

Field	Field format	Field length	Optional/mandatory	Designation	Example of an entry
Pos: 07	N	6	M	Transfer Date	190609

**Description**

Interchange date

Field	Field format	Field length	Optional/mandatory	Designation	Example of an entry
Pos: 09	CO	9	O	Transport data recipient	12345678

**Description**

ID number of the freight forwarder to whom the transport data could be sent.

Field	Field format	Field length	Optional/mandatory	Designation	Example of an entry
Pos: 10	CO	1	O	Storage operator code	[Blank]

**Description**

Code for the EDI creator, see VDA 4913 recommendation.

[Blank] = space

Field	Field format	Field length	Optional/mandatory	Designation	Example of an entry
Pos: 11	CO	1	O	Delivery ID	[Blank]

**Description**

Code for the type of delivery, see VDA 4913 recommendation.

[Blank] = space

*Record type 712*

Record type 712					
Describes the transport					
Field	Field format	Field length	Optional/mandatory	Designation	Example of an entry
Pos: 02	N	2	M	Version number	03

**Description:**

Entry 03 must be made here

Field	Field format	Field length	Optional/mandatory	Designation	Example of an entry
Pos: 03	N	8	M	Consignment no.	12345678

**Description**

Reference number assigned by the sender of the consignment.

**The documents are protected by copyright. Any use beyond the narrow limits of the copyright law is not permissible without the approval of Mercedes-Benz AG.**

A consignment number may **not be repeated** within the same year. Please note the instructions in Appendix 2 to the VDA specification. Generally speaking, SLB numbers can be assigned either for **each unloading point** or for **each delivery address**.

The SLB number must always be shown in field 8 of the forwarding instruction/waybill according to VDA 4922. It is an access key for the goods recipient.

Field	Field format	Field length	Optional/mandatory	Designation	Example of an entry
Pos: 04	CO	3	O	Supplier plant	AAA

### Description

Supplier's plant from which the delivery is sent (supplier's codes used). Must be coordinated with Mercedes-Benz AG.

No input is now required here (**see record type 711, pos. 03**). In a system changeover scenario, as a transitory arrangement in a multiple locations situation, the supplier no. may be sent as an 8-character entry in the Werk Lieferant (= supplier plant) field. There is no longer any reassignment.

Field	Field format	Field length	Optional/mandatory	Designation	Example of an entry
Pos: 05	CO	14	M	Freight forwarder	Miller

### Description:

Name of the company that carries out the transport.

- In the event of own deliveries, enter your company name
- In the event of collection by Mercedes-Benz AG, enter MBAG collection

Field	Field format	Field length	Optional/mandatory	Designation	Example of an entry
Pos: 06	N	6	M	Freight forwarder handover date	190609

**Description:**

Date that goods are loaded or collected at the supplier's site.

Field	Field format	Field length	Optional/mandatory	Designation	Example of an entry
Pos: 07	N	4	M	Freight forwarder handover time	1200

**Description:**

Time at which the goods are planned to be transferred to the freight forwarder.

Field	Field format	Field length	Optional/mandatory	Designation	Example of an entry
Pos: 08	N	7	M	Gross weight	0000100

**Description:**

The gross weight of the consignment refers to the goods, including packaging and/or loading equipment. The field content **must** correspond with the weight shown in the waybill. Entered without decimal places.

Field	Field format	Field length	Optional/mandatory	Designation	Example of an entry
Pos: 09	N	7	O	Net weight	0000050

**Description:**

Weight of goods including packaging but not loading equipment. Entered without decimal places.

Field	Field format	Field length	Optional/mandatory	Designation	Example of an entry
-------	--------------	--------------	--------------------	-------------	---------------------



Pos: 10	N	2	M	Freight terms code	01
---------	---	---	---	--------------------	----

**Description:**

Information about the freight costs. For the codes used, see VDA 4913 recommendation

Field	Field format	Field length	Optional/mandatory	Designation	Example of an entry
Pos: 13	CO	9	O	Transport partner no.	12345678

**Description:**

ID number assigned by Mercedes-Benz AG for the transport company in question.

In cases where Mercedes-Benz is paying the freight costs, the freight forwarder **number must** be shown here. The format is as per the supplier number structure (char. 1-8: numerical, char. 9: alphanumeric). The currently allowed transport partners can be found in the IBL application using the function "GS contact persons (I030)".

## Parcel delivery services

Number	Name	Zip code	Place
10439362	Deutsche Post		
10442283	Deutscher Paketdienst	13627	Berlin
10735868	German Logistic Systems	36285	Neuenstein
12006508	TNT-Express	53842	Troisdorf
12010740	Trans-O-Flex	69451	Weinheim
12105979	United Parcel Service	41456	Neuss

For suppliers with "ex works" purchasing conditions, "UPS" (with the corresponding number, see above) should be used as the parcel delivery service (for more details see Mercedes-Benz Special Terms No. 29 – "Shipment of goods for Mercedes-Benz AG"). In addition to the partners listed above, there are some other partner numbers, particularly for **direct-contract freight forwarders**. For instructions on the numbers to be used, contact the recipient plant.

Field	Field format	Field length	Optional/mandatory	Designation	Example of an entry
Pos: 14	N	2	M	Means of transport code	02

### Description:

This code refers to the following means of transport numbers, thereby specifying which type the following entered number is. For the codes used, see VDA 4913 recommendation.

Field	Field format	Field length	Optional/mandatory	Designation	Example of an entry
Pos: 15	CO	14	M	Means of transport no.	12345678

### Description:

The means of transport number depends on the selected means of transport code.

- If KFZ-Zeichen (registration number) was selected in the Transportmittelinformations-Schlüssel (means of transport code) field, enter the registration number of the vehicle. If you do not know it, enter "LKW" (truck).
- If you selected a different means of transport code, the following applies for the code:

- General cargo number → the assigned general cargo number
- Express delivery number → the express delivery number assigned by the parcel or courier service
- Railway carriage number → the number of the railway carriage
- Post parcel → the parcel number assigned by the postal service
- Parcel service → the parcel number assigned by the parcel service
- Bordereau/loading list number → the bordereau number assigned by the freight forwarder (8 digits)

If you do not know the relevant number when entering the data, enter "9".

**Attention: When using the bordereau number as means of transport code you always have to use a valid 8-digit bordereau number.**

Field	Field format	Field length	Optional/mandatory	Designation	Example of an entry
Pos: 16	CO	1	0	Means of transport information code (code for pos. 17)	2

#### Description:

If Bordero-/Ladelistenummer (bordereau/loading list number) was entered in the Transportmittel-Nummer (mode of transport number) field, an entry is required here. The bordereau number must be coordinated with the appropriate freight forwarder.

Field	Field format	Field length	Optional/mandatory	Designation	Example of an entry
Pos: 17	CO	8	O	Means of transport information code (code for pos. 16)	HH-DD123

**Description:**

The mode of transport information depends on the selected code:

- If KFZ-Kennzeichen (registration number) was selected in the Transportmittelinformations-Schlüssel (means of transport information code) field, you have to enter the registration number of the vehicle.
- If Postleitzahl (post code) was selected in the Transportmittelinformations-Schlüssel (means of transport information code) field, you have to enter the post code of the address of the shipping plant.

Field	Field format	Field length	Optional/mandatory	Designation	Example of an entry
Pos: 18	N	6	M	Target arrival date	190609

**Description:**

Date on which the goods are to be delivered to Mercedes-Benz AG.

Field	Field format	Field length	Optional/mandatory	Designation	Example of an entry
Pos: 19	N	4	M	Target arrival time	0700

**Description:**

Time at which the goods are planned to arrive at the relevant Mercedes-Benz AG plant. If specifying a time slot for the arrival, enter the start of the time slot in this field (example: for 07:00 a.m.–08:00 a.m., enter 0700 here).

Field	Field format	Field length	Optional/mandatory	Designation	Example of an entry
Pos: 20	N	3	O	Load meters	093

**Description:**

**The documents are protected by copyright. Any use beyond the narrow limits of the copyright law is not permissible without the approval of Mercedes-Benz AG.**

Specifies how many meters of the loading deck are occupied (one decimal place).

Field	Field format	Field length	Optional/mandatory	Designation	Example of an entry
Pos: 21	N	1	O	Truck type	1

**Description:**

Information about the truck type.

*Record type 713*

Record type 713					
Contains delivery note number, unloading point, etc.					
Field	Field format	Field length	Optional/mandatory	Designation	Example of an entry
Pos: 02	N	2	M	Version number	03

**Description:**

Entry 03 must be made here

Field	Field format	Field length	Optional/mandatory	Designation	Example of an entry
Pos: 03	N	8	M	Delivery note number	12345678

**Description:**

ID number that the supplier assigns to a delivery note.

You can select any number here. However, the number must not be repeated within the same calendar year. Group together all delivery notes for one unloading point under a single consignment number.

Field	Field format	Field length	Optional/mandatory	Designation	Example of an entry
Pos: 05	CO	5	M	Unloading point	123

**Description:**

Unloading point specified in the order. Generally, char. 1–3: numerical, char. 4: alphanumerical. However, there are exceptions in some plants. Letters have to be transmitted as capital letters.

For detailed call-offs, the unloading point can be 5-digit.

Field	Field format	Field length	Optional/mandatory	Designation	Example of an entry
Pos: 06	N	2	M	Distribution Type	02

**Description:**

Information about the type of forwarding. For the codes used, see VDA 4913 recommendation

Field	Field format	Field length	Optional/mandatory	Designation	Example of an entry
Pos: 08	N	12	M	Contract/PO number	9

**Description:**

Purchase order or contract number specified in the order. If no information is entered, enter "9" here.

Field	Field format	Field length	Optional/mandatory	Designation	Example of an entry
Pos: 09	N	2	O	Process key	40

**Description:**

If **only** EDL is used, fill the field according to the selection with the code "40" (see item 0).

Field	Field format	Field length	Optional/mandatory	Designation	Example of an entry
Pos: 11	N	3	M	Customer plant	050

**Description:**

The customer's plant that is to be supplied. The codes to be used must be coordinated with Mercedes-Benz AG.

Field	Field format	Field length	Optional/mandatory	Designation	Example of an entry
Pos: 12	N	8	O	Consignment	12345678

**Description:**

Number of the delivery note with which the goods were sent by Mercedes-Benz AG to the supplier.

**In the case of normal deliveries, no information is entered here.**

Field only to be filled when returning consignment material.

Field	Field format	Field length	Optional/mandatory	Designation	Example of an entry
Pos: 13	CO	9	0	Goods recipient number	12345678

**Description:**

ID number that the customer assigns to a goods recipient.

**In the case of normal deliveries, no information is entered here.**

This field is only relevant for deliveries to third parties and external service provider processing.

Field	Field format	Field length	Optional/mandatory	Designation	Example of an entry
Pos: 16	CO	9	0	Supplier no.	12345678

**Description:**

ID number that the customer assigns to supplier (only in the case of external service provider processing).

**In the case of normal deliveries, no information is entered here.**

Field	Field format	Field length	Optional/mandatory	Designation	Example of an entry
Pos: 17	CO	14	0	Point of consumption	12345

**Description:**

Specifies the point in the customer's plant where the goods is consumed.

Field	Field format	Field length	Optional/mandatory	Designation	Example of an entry
Pos: 18	N	4	0	Call-off number	1234

**Description:**

Number of the call-off for individual orders.

Field	Field format	Field length	Optional/mandatory	Designation	Example of an entry
-------	--------------	--------------	--------------------	-------------	---------------------



Pos: 19	CO	6	O	Ordering party	740
---------	----	---	---	----------------	-----

**Description:**

Ordering party's index.

Field	Field format	Field length	Optional/mandatory	Designation	Example of an entry
Pos: 20	CO	14	O	Document Number	471112345

**Description:**

The Pick-Up-Sheet number is transmitted in this field.

**Important: This reference must match with the Pick-Up-Sheet reference as transmitted to the supplier within the Pick-Up-Sheet EDI (VDA4985).**

*Record type 714*

Record type 714					
Describes item and delivery quantity					
Field	Field format	Field length	Optional/mandatory	Designation	Example of an entry
Pos: 02	N	2	M	Version number	03

**Description:**

Entry 03 must be made here

Field	Field format	Field length	Optional/mandatory	Designation	Example of an entry
Pos: 03	CO	22	M	Customer item no.	A2206601234

**Please consider there is a new detailed description in the Part Number Manual.**

The "Item number manual" is available at the Mercedes-benz Supplier Portal <http://supplier.mercedes-benz.com> in the navigation "Collaboration" in the subject "Production and Logistics" in the topic "data communication with Mercedes-Benz AG".

**Note:** For each customer item number the partial weight must be entered. The entry is made in the record type 716, pos. 05, see chapter 1.6.

**Description:**

Mercedes-Benz AG item number is specified in the purchase order.

A maximum of 22 alphanumeric places. Mercedes-Benz AG item numbers generally consist of a letter ("A", "B", "H", "Y" or "T" (for new load carriers)) and 8–11 numbers.

No blank spaces or special characters.

Exceptions: item numbers with supplementary codes ES1 and ES2

Example 1: Mercedes-Benz AG item number without supplementary code

Character	1	2	3	4	5	6	7	8	9	10	11	12	13	14	15	16	17	18	19	20	21	22
Item number	1	2	3	4	5	6	7	8	9	0	1	2	3	4	5	6	7	8	9	0	1	2
Customer																						
Entry	A	1	2	4	4	0	1	1	2	6	1				S	P	A	C	E			
Mercedes-Benz AG																						

Example 2: Mercedes-Benz AG item number for "colored" parts with indicator letter A and supplementary code (ES1), ES2

Character	1	2	3	4	5	6	7	8	9	10	11	12	13	14	15	16	17	18	19	20	21	22
Item number	1	2	3	4	5	6	7	8	9	0	1	2	3	4	5	6	7	8	9	0	1	2
Customer																						
Entry	A	1	2	4	4	0	1	1	2	6	1							9	0	6	1	
item number																						

Mercedes-Benz AG																								
------------------	--	--	--	--	--	--	--	--	--	--	--	--	--	--	--	--	--	--	--	--	--	--	--	--

Example 3: Mercedes-Benz AG item number for indicator letter A and supplementary code ES1

Character																								
Item number	1	2	3	4	5	6	7	8	9	10	11	12	13	14	15	16	17	18	19	20	21	22	23	
Customer																								
Entry	A	1	2	4	4	0	1	1	2	6	1			8	0	0	0							
Mercedes-Benz AG																								

Example 4: Standard entry where Mercedes-Benz item number not available

There may be particular cases where a Mercedes-Benz item number does not exist (e.g. for non-productive material). However, as this is a **required** field according to the VDA recommendation, a dummy item number is entered:

Display:

Char. 1: **Q** (indicator letter)

Char. 2-5: **TEXT** (keyword)

Record type 716 (text record) is also to be sent. The item description is to be provided in this record.

Position																						
Item number	1	2	3	4	5	6	7	8	9	10	11	12	13	14	15	16	17	18	19	20	21	22
Customer																						
Entry																						
Item number	Q	T	E	X	T																	
Mercedes-Benz AG																						

Field	Field format	Field length	Optional/mandatory	Designation	Example of an entry
Pos: 04	CO	22	M	Supplier part no.	A2206601234

**Description:**

Supplier item number or item designation. If no supplier item number is available, the customer item number can be specified.

Field	Field format	Field length	Optional/mandatory	Designation	Example of an entry
Pos: 05	N	3	M	Country of origin	004

**Description:**

See list of countries for foreign trade statistics.

Field	Field format	Field length	Optional/mandatory	Designation	Example of an entry
Pos: 06	N	13	M	Customer delivery quantity	0000010000000

**Description:**

Specifies the customer's delivery quantity (with up to three decimal places).

Right-justified entry with leading zeroes.

Field	Field format	Field length	Optional/mandatory	Designation	Example of an entry
Pos: 07	CO	2	M	Customer quantity unit	ST

**Description:**

Specifies the customer's unit of quantity.

For the quantity unit codes used, see VDA 4913 recommendation.

Additional quantity unit codes used specifically for Mercedes-Benz AG are summarized in the following table:

Code	Designation
16	Sheet
17	Packing
18	Pack
19	Rolls
21	Reels
23	Carton
26	Cans
32	Packing unit
36	Canister
37	Bundle

Field	Field format	Field length	Optional/mandatory	Designation	Example of an entry
Pos: 08	N	13	O	Supplier delivery quantity	0000010000000

**Description:**

Specifies the delivery quantity (with up to three decimal places), if this is different from the customer's unit of quantity. Right-justified entry with leading zeroes.

Field	Field format	Field length	Optional/mandatory	Designation	Example of an entry
Pos: 09	CO	2	O	Supplier unit of quantity	KG

**Description:**

Specifies the supplier's unit of quantity if this is different from to the customer's unit of quantity. For the codes used, see VDA 4913 recommendation.

Field	Field format	Field length	Optional/mandatory	Designation	Example of an entry
Pos: 10	N	3	O	VAT rate	190

**Description:**

The documents are protected by copyright. Any use beyond the narrow limits of the copyright law is not permissible without the approval of Mercedes-Benz AG.

Used, by arrangement, for credit note procedure (one decimal place).

Field	Field format	Field length	Optional/mandatory	Designation	Example of an entry
Pos: 13	CO	1	O	Call-off code	[Blank]

**Description:**

Information about the type of delivery.

For the codes used, see VDA 4913 recommendation.

[Blank] = space.

Field	Field format	Field length	Optional/mandatory	Designation	Example of an entry
Pos: 14	CO	15	O	Batch no.	CH12345678

**Description:**

ID number that the supplier assigns to a batch.

Field	Field format	Field length	Optional/mandatory	Designation	Example of an entry
Pos: 15	CO	1	M	Usage code	S

**Description:**

Information about the type of usage.

For the codes used, see VDA 4913 recommendation.

Field	Field format	Field length	Optional/mandatory	Designation	Example of an entry
Pos: 16	CO	8	O	Hazardous materials code	

**Description:**

Specification from the Directive of Transporting Hazardous Materials. Char. 1–4: class, char. 5–6: section, char. 7–8: letter.

Field	Field format	Field length	Optional/mandatory	Designation	Example of an entry
Pos: 17	CO	1	M	Preference status	G

**Description:**

Information about the preference status in code form, see VDA 4913 recommendation.

Field	Field format	Field length	Optional/mandatory	Designation	Example of an entry
Pos: 18	CO	1	M	Dutiable goods	[Blank]

**Description:**

Information about whether the goods are dutiable.

For the codes used, see VDA 4913 recommendation.

[Blank] = space.

Field	Field format	Field length	Optional/mandatory	Designation	Example of an entry
Pos: 21	CO	2	M	Version change code	[Blank]

**Description:**

**The documents are protected by copyright. Any use beyond the narrow limits of the copyright law is not permissible without the approval of Mercedes-Benz AG.**



Specifies the version code for changed parts in the context of supplying the development area.

Note the following when entering data:

The drawing geometry level, Q/E status, pre-production test batch and KEM fields can only be filled if the following was selected in the version change code field:

G T: first regular delivery of changed part

[Blank] T: each subsequent delivery of the changed part

Only specify the version change code if requested to do so by Mercedes-Benz AG and/or the code was specified in the purchase order. If you have any questions regarding this subject, please contact your MRP controller.

[Blank] = space.

*Record type 715*

<b>Record type 715</b>					
Describes packaging. Links EDI to VDA 4902 material label					
<b>Field</b>	<b>Field format</b>	<b>Field length</b>	<b>Optional/mandatory</b>	<b>Designation</b>	<b>Example of an entry</b>
Pos: 02	N	2	M	Version number	03

**Description:**

Entry 03 must be made here

<b>Field</b>	<b>Field format</b>	<b>Field length</b>	<b>Optional/mandatory</b>	<b>Designation</b>	<b>Example of an entry</b>
Pos: 03	CO	22	M	Cust. packing material no.	2032

**Description:**

Use the number specified in the purchase order for a packing material or a load carrier here. In the case of disposable packaging, use a code according to the VDA recommendation 4913, Appendix 10. Mercedes-Benz AG codes have 4-7 digits.

<b>Field</b>	<b>Field format</b>	<b>Field length</b>	<b>Optional/mandatory</b>	<b>Designation</b>	<b>Example of an entry</b>
Pos: 04	CO	22	M	Supplier packing material no.	K123

**Description:**

Supplier's number or designation for a packing material or load carrier.

<b>Field</b>	<b>Field format</b>	<b>Field length</b>	<b>Optional/mandatory</b>	<b>Designation</b>	<b>Example of an entry</b>
Pos: 05	N	13	M	No. of packing materials	20

**Description:**

Specifies the number of packing material in question.

Field	Field format	Field length	Optional/mandatory	Designation	Example of an entry
Pos: 07	N	13	O	Filling quantity	100

**Description:**

Specifies the filling quantity per load carrier (with a maximum of 3 decimal places).

For certain processes, this field can be mandatory.

Field	Field format	Field length	Optional/mandatory	Designation	Example of an entry
Pos: 08	N	9	O	Package number from	000000001

**Description:**

The number must not be repeated within the same year.

For certain processes, this field can be mandatory.

For several packages with the same item number:

- a) For an unbroken ascending sequence of package numbers, enter the lowest value of the number range in this field. The highest value should be entered in the "Package number to" (Packstück-Nummer bis) (pos. 09) field.
- b) If there is not an unbroken ascending sequence of package numbers, a separate record type 715 must be sent for each package. In this situation there is no entry in the "Package number to" (Packstück-Nummer bis) (pos. 09) field.

Field	Field format	Field length	Optional/mandatory	Designation	Example of an entry
Pos: 09	N	9	0	Package number to	000000019

**Description:**

The number must not be repeated within the same year. If this element is used, there must be an unbroken ascending number sequence.

Field	Field format	Field length	Optional/mandatory	Designation	Example of an entry
Pos: 10	N	12	0	Packaging dimensions	100020000800

**Description:**

Specified in millimeters.

Char. 97 – 100 length

Char. 101 – 104 width

Char. 105 – 108 height

Field	Field format	Field length	Optional/mandatory	Designation	Example of an entry
Pos: 11	N	1	0	Stacking factor	2

**Description:**

Specifies the permissible stackability of the unit designated in the packaging type. Code form:

1 = can be stacked singly

2 = can be stacked doubly, etc.

Field	Field format	Field length	Optional/mandatory	Designation	Example of an entry
Pos: 13	CO	1	0	Label ID	S

**Description:**

Barcode ID for the material label.

For the codes used, see VDA 4913 recommendation.

Field	Field format	Field length	Optional/mandatory	Designation	Example of an entry
Pos: 14	CO	1	0	Packaging ID	M

**Description:**

Describes the type of packaging.

For the codes used, see VDA 4913 recommendation.

Field	Field format	Field length	Optional/mandatory	Designation	Example of an entry
Pos: 15	CO	1	0	Ownership ID	C

**Description:**

Information about the packaging owner.

For the codes used, see VDA 4913 recommendation.

*Record type 716*

Record type 716					
Text record or indication of change status					
Field	Field format	Field length	Optional/mandatory	Designation	Example of an entry
Pos: 02	N	2	M	Version number	02

**Description:**

Entry 02 must be made here

Field	Field format	Field length	Optional/mandatory	Designation	Example of an entry
Pos: 03	CO	40	O	Position text 1, delivery designation	Screws for table

**Description:**

Text area that can be used to indicate any additional information.

The position text becomes a **mandatory field** if the relevant entry was made in the "Version change key" field (Geänderte-Ausführung-Schlüssel) (record type 714, pos. 21). In this case, note the following:

Field	Field format	Field length	Optional/mandatory	Designation	Example of an entry
Pos: 3.1	CO	1	M	ZGS (drawing geometry state)	Z

**Description:**

Designation indicator "Z" for ZGS

Field	Field format	Field length	Optional/mandatory	Designation	Example of an entry
Pos: 3.2	N	3	M	Drawing geometry date	001

**Description:**

Design change status or drawing geometry state.

Field	Field format	Field length	Optional/mandatory	Designation	Example of an entry
Pos: 3.4	CO	1	M	Q or E status	E

**Description:**

Q or E status has to be specified here:

Q = quality status

E = development status

Field	Field format	Field length	Optional/mandatory	Designation	Example of an entry
Pos: 3.5	CO	8	M	Q/E status	12345

**Description:**

Information about the Q/E status

Field	Field format	Field length	Optional/mandatory	Designation	Example of an entry
Pos: 3.6	CO	10	M	Pre-production test batch	B1205

**Description:**

Specific number of vehicles in a start-up project that have the same part revision level. The pre-production batch test can be taken from the purchase order, if present.

Field	Field format	Field length	Optional/mandatory	Designation	Example of an entry
Pos: 3.9	CO	16	M	KEM	KEM123054

**Description:**

The design implementation notice can be taken from the purchase order, if present.

**Additional rule:**

applicable for transferring revision level information and MTC deliveries for the passenger car plants of the Mercedes-Benz and Maybach brands, as well as the Berlin-Marienfelde, Ludwigfelde and Düsseldorf plants.

**Note:**

For all parts, text field 1 of record type 716 is to be filled with the data elements described in [Table 1.6.1.6. Additional Rules](#).

Field	Field format	Field length	Optional/mandatory	Designation	Example of an entry
Pos: 3.10	CO	3	O	Best before date	MHD
Pos: 3.11	N	8	O	Date (YYYYMMDD)	20190709

**Description:**

For certain materials, it is necessary to enter the best-before date (MHD) or manufacturing date (HSD).

Depending on the requirement, either MDH or HSD can be transmitted

MHD or HSD is entered at positions 35-37, the date at positions 38-45.



When creating a shipment using DQM the field "Item text 1: Description of the delivery" has to be used for the data entry with 29 leading dots.

Positionstext 1: Bezeichnung der Lieferung

.....MHD20190709

Field	Field format	Field length	Optional/mandatory	Designation	Example of an entry
Pos: 05	CO	13	M	Text 3	GEW0012310000

### Description:

The weight of the article must be transmitted for every item number position. The information of the inquiry criterion "GEW" must take place in char. 86-88. The weight can be entered in char. 89-98 (10 digits including 4 decimal places).

Example for the entry in the EDI according to VDA 4913 item number weight:

1231 kilograms = GEW0012310000

1.5 kilograms = GEW0000015000

1.5 grams = GEW0000000015

0.05 grams = GEW0000000001 (**round up to 0.1 gram**)

*Record type 717*

Record type 717					
Individual package record					
Field	Field format	Field length	Optional/mandatory	Designation	Example of an entry

**Description:**

**NOT** to be sent to Mercedes-Benz AG.

*Record type 718*

Record type 718					
Production number record					
Field	Field format	Field length	Optional/mandatory	Designation	Example of an entry

**Description:**

**Only** for JIT/JIS (see item 0)

*Record type 719*

Record type 719					
Trailer record					
Field	Field format	Field length	Optional/mandatory	Designation	Example of an entry

**Description:**

Contains the statistics of the data transmission.

**Table 1.6.1.6. Additional rules**

The documents are protected by copyright. Any use beyond the narrow limits of the copyright law is not permissible without the approval of Mercedes-Benz AG.

Item	Data element	Data content	Start-up / series O/M	MTC O/M	BYTE	From/to	Description
1	Record type	716	M	M	3	1-3	Constant, "716"
2	Vers. No.	02	M	M	2	4-5	Entry = 02
3	Text 1						
3.1	ZGS indicator	Z	M	M	1	6	Designation indicator "Z" for ZGS
3.2	ZGS (drawing geometry state)	ZGS (drawing geometry state)	M	M	3	7-9	Indication of the delivered ZGS, e.g. 003
3.3	E/Q status indicator	E or Q	M	O	1	10	If an E/Q status is sent, enter this indicator accordingly  Status indicator for E or Q status  Entry: E - for E status  Q - for Q status
3.4	E/Q status	E or Q status	M	O	3	11-13	Entry of E or Q status  e.g. 003
3.5	Pre-production test batch indicator	B	O	O	1	14	Indicator for pre-production test batch.  If details of the preproduction test batch are transmitted, enter "B" in this field
3.6	Pre-production test batch	Pre-production test batch	O	O	3	15-17	Entry of the relevant pre-production test batch
3.7	Purchase order position indicator	P	*	M	1	18	Entry of the indicator P
3.8	PO pos.	Purchase order position	*	M	3	19-21	Indication of purchase order position for the respective delivery
3.9	KEM	Engineering change notice	M	O	13	22-34	Indication of the engineering change notice specified in the purchase order under KEM (MTC) or as indicated in the drawing (plants)
3.10	Version number	Version number	*	O	11	35-45	Indication of the version number specified in the order under "Vers-Nr."

The documents are protected by copyright. Any use beyond the narrow limits of the copyright law is not permissible without the approval of Mercedes-Benz AG.

							(left justified)
4	Text 2		*				
4.1	Veh. no. sub-assembly no.	Vehicle or sub-assembly number	*	0	8	46-53	Indication of vehicle or sub-assembly number as specified in the purchase order under vehicle no. (Fzg-Nr.) /sub-assembly no. (Aggregate-Nr.)
4.2	FINAS ID no.	Finas ID no. or supplier ID no.	*	0	26	54-79	Indication of the Finas ID number as specified in the purchase order or the supplier ID no.
4.3	KE	Indicator for Finas ID no. field	*	0	1	80	Specification of the indicator for Finas ID no.  F- for Finas ID no.  L- for supplier ID no.
4.4			*			81-85	Empty
5	Text 3		*				
5.1	Drawing date	Drawing date	*	0	6	86-91	Indication of drawing date for ZGS status; format YYYYMMDD
5.2	Project	Project	*	0	10	92-101	Indication of the project referenced in purchase order
5.3	Notes text indicator	A	*	0	1	102	"A" indicates general notes text
5.4	Notes text	Notes text	*	0	23	103-125	A- General notes text

All fields marked with \* apply only to MTC deliveries.

## Special cases for the delivery note and transport data message

### *Corrections*

If content corrections are required after the data have been sent, the changes have to be made in DQM (see item 0)

### *EDI resend capability*

It must be possible to resend EDIs. We expect this capability for the three most recent communications for each recipient.

### *EDI problems*

In a few very rare cases it may be impossible to send the delivery note data (e.g. special trips, computer failure, line problems, reception problems, etc.).

If it is not possible for you to create all delivery note data via standard EDI (e.g. according to VDA 4913), special transactions can be created and sent for all processes in the DQM under the navigation point "New consignment" (see point 1.4).

### *Emergencies*

If we do not receive VDA 4913 messages, it is important to ascertain the cause for this problem. Internal follow-up is ensured via EDIS enquiries. A contact name must be provided for follow-up enquiries with the supplier.

During brief EDI malfunctions it is possible to enter the data manually in the target system. However, this capacity is limited and it incurs extra costs for us which may be passed on to the supplier.

Input documents are the delivery papers carried by the driver (EDI goods receipt slip).

### *Sample deliveries*

The "sample" identification must be entered in the EDI for sample deliveries.

For consignments according to VDA 4913, **Y = Sample** must be entered in the record type 714 under position 106.

**The documents are protected by copyright. Any use beyond the narrow limits of the copyright law is not permissible without the approval of Mercedes-Benz AG.**

For consignments made over the Internet (DQM), "**Sample**" must be selected in the application key field in the delivery note position data.

*Return of empties*

Customer item number: QLEERGUT

Quantity: 1

Quantity unit: Pieces

Customer packaging number: The specific package number (e.g. 9040)

Number of packaging items: The number of items being returned

### *Central loading unit for deliveries via courier service*

For the deliveries via a courier service a central loading unit is needed (see VDA 4913 example 3a). In order to guarantee this with the dispatch of individual small load carriers (so far no regular pallet is sent), additionally a dummy pallet in the delivery notes must emerge for the packing code of the small load carrier (see VDA 4913 record type 715, pos. 03, characters 6-27) at first position. For this pallet the packing code "0000BUN" should be used. This dummy pallet must be provided additionally with a master label "M" (see VDA 4913 record type 715, pos. 13, character 125). In addition, this master label must be printed and be attached on the small load carrier. The storage of the sent goods can take place using this master label.

For a better understanding an example is provided below. This example exclusively refers to the record type 715, pos. 02, pos. 03 and pos. 13.

Record type	Version no.	Packing code	Label
715	03	0000BUN	M
715	03	4315	S

Please pay attention to the correct information and sequence of the small load carriers. The master label and/or the "pallet" must be listed always at first position. Please use the DQM (see Chapter 0) in order to examine and if necessary to correct your data before the goods get in storage.

### *Special trips*

In case of a special trip you will receive a special trip number from your parts dispatcher. This number has to be used as follows.

### *Notes on record types and data elements*

The order of record types has to be followed at all times as described in the VDA Guideline. In addition the following changes have to be done.

Record type 712					
Field	Field format	Field length	Optional/mandatory	Designation	Example of an entry
Pos: 13	CO	9	0	Transport partner no.	12345678

### **Description:**

**The documents are protected by copyright. Any use beyond the narrow limits of the copyright law is not permissible without the approval of Mercedes-Benz AG.**

The ID number (max. 9 digits) of the ordered special trip company. This number is assigned by Mercedes-Benz AG and can be retrieved from the parts dispatcher.

Field	Field format	Field length	Optional/mandatory	Designation	Example of an entry
Pos: 14	N	2	M	Means of transport code	02

**Description:**

Fix value: 02

This code refers to the following means of transport numbers, thereby specifying that the code will be a bordereau number.

Field	Field format	Field length	Optional/mandatory	Designation	Example of an entry
Pos: 15	CO	14	M	Means of transport no.	S1234567

**Description:**

In case of a special trip the special trip number (starting with S) has to be entered. The special trip number can be retrieved from the relevant parts dispatcher.



Contact person for problems with the EDIS communication computer:

T-Systems EDI Customer Support (see contact person chap. 1)

Tips and information

### **Demarcation of consignments <-> link to waybill**

The following must be shown on the waybill/forwarding instruction:

- **Field 2:** Supplier no. (from record type 711)
- **Field 8** Consignment no. (SLBN from record type 712)
- **Field 10:** Freight forwarder no. (from record type 712)
- **Field 18:** Delivery note number(s) (from record type 713)

And for "direct-contract" transport consignments, also the following:

- **Field 13:** Bordereau no.

These data elements are:

- a) Access keys at the truck management points at **Mercedes-Benz** plants for locating EDI data.
- b) Key terms for freight billing.

### **Important notes:**

**Always ensure that the EDI data (demarcation as per record type 712) correspond exactly to the loading scope.**

- **Multiple consignment numbers** on the **same waybill** are **not** permitted in any circumstances.
  - VDA specification 4922 permits the issuing of waybills by unloading point or by shipping address (a similar arrangement applies for the SLB no.). This is to be agreed bilaterally between the parties.

### **Rules for Mercedes-Benz AG:**

- For groupage consignments via our area contract freight forwarders: **waybill for each unloading point**

**The documents are protected by copyright. Any use beyond the narrow limits of the copyright law is not permissible without the approval of Mercedes-Benz AG.**

- For other transport scenarios: **waybill for each delivery address**, so for the Sindelfingen plant address, for example, separate waybills are required for its outposts, i.e. Böblingen-Hulb, etc.

## Transport management

Generally, the VDA 4913 specification applies. Deviations from the specification, with regard to transport management, are described in this section.

### *Data transmission*

The data sender is to transmit the data by no later than 2 hours before loading. This is essential to ensure that the driver can download the data for the packages to be collected (electronic target loading list) on their mobile phone

### *Notes on record types and data elements*

The sequence of record types must be exactly as per the VDA specification. Additionally, the changes described below must be complied with.

Record type 712					
Field	Field format	Field length	Optional/mandatory	Designation	Example of an entry
Pos: 13	CO	9	M	Transport partner no.	12345678

#### **Description:**

Enter the freight forwarder no. (max. 9 char.) for the freight forwarder contracted. This number is assigned by Mercedes-Benz AG.

Field	Field format	Field length	Optional/mandatory	Designation	Example of an entry
Pos: 14	N	2	M	Means of transport code	02

#### **Description:**

Constant value: 02

This indicates that the value in the following position 15 (means of transport number) is to be interpreted as a bordereau number.

Field	Field format	Field length	Optional/mandatory	Designation	Example of an entry
Pos: 15	CO	8	M	Transportation no.	30141234

**Description:**

Char. 1-4: bordereau header record, specified to freight forwarder by Mercedes-Benz AG.

Char. 5-8: assigned by freight forwarder for each truck/transport unit (generally serial no.).

Please agree on these numbers in advance with the freight forwarder (e.g. what numbers are to be assigned for which truck/transport unit?).

This field is alphanumeric. Complete in flush left format. Since the bordereau number also has 8 characters, only characters 78-85 should be filled; the remaining characters, 86-102, should be left empty.

Field	Field format	Field length	Optional/mandatory	Designation	Example of an entry
Pos: 16	CO	1	M	Means of transport information code (code for pos. 17)	2

**Description:**

Constant value: 2

This indicates that the value in the following position 16 (means of transport information) is to be interpreted as the **official number plate** of the transport vehicle (tractor unit).

Field	Field format	Field length	Optional/mandatory	Designation	Example of an entry
Pos: 17	CO	8	M	Means of transport information (content as per code in pos. 16)	HH-DD123

**Description:**

Official number plate of transport vehicle (tractor unit).

Ask the freight forwarder for the official plate number.

Field	Field format	Field length	Optional/mandatory	Designation	Example of an entry
Pos: 18	N	6	M	Target arrival date	190609

**Description:**

Date specified by Mercedes-Benz for arrival of the consignment. Format: **YYMMDD**

Field	Field format	Field length	Optional/mandatory	Designation	Example of an entry
Pos: 19	N	4	M	Target arrival time	1001

**Description:**

Time slot agreed between the freight forwarder and Mercedes-Benz G for arrival of the truck at the plant. Format: **HHMM**

Please consult with the freight forwarder (for what time does the truck/transport unit have a time slot?) and send this information with every EDI. The notified target arrival time must correspond to the time slot number and therefore the start of the time slot. Example: time slot 10.01–11.01 a.m. = time slot number 1001

Record type 715					
Field	Field format	Field length	Optional/mandatory	Designation	Example of an entry
Pos: 05	N	13	M	No. of packing materials	000000000020

**Description:**

In this field, enter the number of packages of each type. The entry is to be flush right, with leading zeroes and without decimal places.

If the number of packages is > 1, the package numbers are to be in an unbroken ascending sequence (0). The packing material record will then contain several packages with the same item number. This compressed information has to be broken down by Mercedes-Benz to generate the target loading list.

If the number of packing materials = 1, then the packing materials record refers to a single package (0).

*Multiple packages*

Field	Field format	Field length	Optional/mandatory	Designation	Example of an entry
Pos: 08	N	9	M	Package number from	000000001

**Description:**

Number of the **first** package; this number must not be repeated within the same year.

The field is to be filled left-justified.

Field	Field format	Field length	Optional/mandatory	Designation	Example of an entry
Pos: 09	N	9	M	Package number to	000000019

**Description:**

Number of the **last** package; this number must not be repeated within the same year.

The field is to be filled left-justified.

*Single package*

Field	Field format	Field length	Optional/mandatory	Designation	Example of an entry
Pos: 08	N	9	M	Package number from	000000001

**Description:**

Number of the **first** package; this number must not be repeated within the same year.

Numerical, 9-digit, right-aligned with left-hand zeros.

Field	Field format	Field length	Optional/mandatory	Designation	Example of an entry
Pos: 09	N	9	O	Package number to	000000001

**Description:**

This field must contain either the same number as for "package number from", or be left empty.

Numerical, 9-digit, right-aligned with left-hand zeros

Field	Field format	Field length	Optional/mandatory	Designation	Example of an entry
Pos: 13	CO	1	M	Label ID	S

**Description:**

Barcode ID for the material label.

For the codes used, see VDA 4913 recommendation.

G = Mixed package (with sub-packages and different item numbers)

M = Master label (with sub-packages and the same item numbers)

S = Single label (1 package)

## Generation by JIT and JIS suppliers (VDA 4913/JIT)

The requirements are generally the same as per the basic VDA 4913 message as described in the preceding pages. The differences for message generation by JIT suppliers are described below.

### *Brief description of JIT and JIS suppliers*

A material call-off (VDA 4916) is required for each production number.

Delivery is based on picking in production number sequence. VDA 4913 has production numbers shown in record type 718. The following special features need to be taken into account in the EDI:

### *Notes on record types and data elements*

The sequence of record types must be exactly as per the VDA specification.

Record type 711					
Field	Field format	Field length	Optional/mandatory	Designation	Example of an entry
Pos: 11	CO	1	M	Delivery ID	J

### **Description**

Code for the type of delivery, see VDA 4913 recommendation.

J = JIT delivery

Record type 714					
Field	Field format	Field length	Optional/mandatory	Designation	Example of an entry
Pos: 13	CO	1	M	Call-off code	P

### **Description:**

Information about the type of delivery. P = just-in-time call-off (according to VDA 4916 recommendation)

Record type 718
-----------------



Field	Field format	Field length	Optional/mandatory	Designation	Example of an entry
Pos. 04 and the following	CO	10	M	Production number 1	

**Description:**

The production numbers contained in the delivery must be shown here. Several 718 record types without change of group are permitted.

## Triangular traffic

In the triangular traffic process, the data sender has to specify the following additional fields in VDA 4913.

The process should only be used after consultation with the relevant Mercedes-Benz AG contact persons and with the goods recipient.

### *Data sender via VDA 4913*

#### **Important:**

File name: the file name **MB050DRV** must be used instead of MB050WES

Record type 711					
Field	Field format	Field length	Optional/mandatory	Designation	Example of an entry
Pos: 11	CO	1	M	Delivery identifier	H

#### **Description:**

The entry "H" is essential here in order that the data can be identified as triangular traffic.

Record type 713					
Field	Field format	Field length	Optional/mandatory	Designation	Example of an entry
Pos: 13	CO	9	M	Goods recipient number	12345678A

#### **Description:**

ID number that the customer assigns to a goods recipient. The ordering party/controller must inform you of the goods recipient number.

### *Data sender via Edifact*

#### **Important:**

File name: the file name **MB050DRVE** must be used instead of MB050DESA.

Edifact segment BGM.1225					
VDA element	Field format	Field length	Optional/mandatory	Designation	Example of an entry
71111	CO	1	M	Delivery ID	H

**Description:**

The entry "H" is essential here in order that the data can be identified as triangular traffic.

Edifact segment NAD.3039 (NAD.3035= DP)					
VDA element	Field format	Field length	Optional/mandatory	Designation	Example of an entry
Pos: 13	CO	9	M	Goods recipient number	12345678A

**Description:**

ID number that the customer assigns to a goods recipient. The ordering party/controller must inform you of the goods recipient number.

*Data sender via DQM*

There is a detailed manual available for deliveries to third parties via DQM. You can find it in DQM (see Chapter 0) in the online help.

*Further tracking of the consignment*

The consignment can be tracked further in DQM under the navigation item "Consignments - Search consignment data D301".

See item 0 for information about DQM.

- The data is processed in the deliveries to third parties archive.
- For further processing, see the manual (online help): Deliveries to third parties – data sender

*Confirmation of the data by the goods recipient*

The data must be confirmed in DQM under the navigation item "Consignments – Delivery to 3rd parties D306". There is a detailed manual for this function. You can find it in DQM (see Chapter 0) in the online help.

Generation by EDL (external service provider) (VDA 4913/EDL)

The basic VDA 4913 message as described in the preceding pages applies. The differences for message generation by external service providers are described below.

*Brief description*

Owing to shared storage arrangements between suppliers and **Mercedes-Benz AG**, at some plant locations there are storage facilities close to the plant operated by **external service providers (EDL)**.

EDI generation by external service providers is described in Chapter 3 of the VDA recommendation. Other points are agreed bilaterally between the parties when the contract is signed.

The warehouse stock belongs to the suppliers. When a call-off is issued for the material, the EDL, acting on the supplier’s instructions, prepares the **delivery note data** in VDA 4913 format. Stock data are also transferred, again with VDA 4913 and a special procedure.

*Notes on record types and data elements*

Record type 711					
Field	Field format	Field length	Optional/mandatory	Designation	Example of an entry

Pos: 10	CO	1	M	Storage operator code	1
---------	----	---	---	-----------------------	---

### Description

Code for the EDI creator, see VDA 4913 recommendation.

"1" = EDI generated by EDL.

Field	Field format	Field length	Optional/mandatory	Designation	Example of an entry
Pos: 11	CO	1	M	Delivery ID	[Blank]

### Description

Code for the type of delivery, see VDA 4913 recommendation.

- [Blank] = Stock is transferred in **delivery quantity 2** (record type 714).
- 1 = **No** stock is transferred in **delivery quantity 2** (record type 714).

Record type 712					
Field	Field format	Field length	Optional/mandatory	Designation	Example of an entry
Pos: 06	N	6	M	Freight forwarder handover date	190609

**Description:**

Date that goods are loaded or collected at the supplier's site.

This field also has to be completed for transaction type 35. In this case the field content refers to the time the EDI was generated.

Field	Field format	Field length	Optional/mandatory	Designation	Example of an entry
Pos: 07	N	4	M	Freight forwarder handover time	1200

**Description:**

Time at which the goods are planned to be transferred to the freight forwarder.

This field also has to be completed for transaction type 35. In this case the field content refers to the time the EDI was generated.

Record type 713					
Field	Field format	Field length	Optional/mandatory	Designation	Example of an entry
Pos: 10	CO	1	O	Storage operator code	40

**Description**

For delivery note data, enter **40**. For stock data, enter **35**.

No other entries are permitted for messages to Mercedes-Benz AG.

Field	Field format	Field length	Optional/mandatory	Designation	Example of an entry
Pos: 16	CO	9	O	Supplier no.	12345678

**Description:**

The delivery location index may be entered at character 9. Note that within a consignment as per record type 712, for a given supplier it is always the delivery location of the 1st record of record type 713 that is used.

If multiple delivery locations for one supplier are shown in an EDI, initiate a change of group with a new record type 712.

Record type 714					
Field	Field format	Field length	Optional/mandatory	Designation	Example of an entry
Pos: 08	N	13	O	Supplier delivery quantity	0000010000000

**Description:**

For transaction type 40, also enter the current stock level at this point, according to the field content in record type 711, char. 59.

## RFID or JISP

If you are affected by RFID or JISP, you will be contacted by a Mercedes-Benz representative. Connection and approval takes place on the initiative of Mercedes-Benz AG exclusively.



