

---

Record description

## VDA 4985 T2 Global DELJIT

based on

### **DELJIT**

Delivery just in time message

### **UN D.18A S4 - S3 Profile (Part 11)**

VDA-Version: VDA 3.1  
Mercedes-Benz-Version: Mercedes-Benz 3.0  
Print date: 05/06/2023

1. Message structure .....	2
2. Branching diagram.....	4
3. Segment details .....	8

## Structure / Table of Contents

No	Tag	St	MaxOcc	Content
1	UNA	R	1	Service string advice UNA:+. ? ' '
2	UNB	M	1	Interchange header UNB+UNOC:X+00013000560MB050000:1:X+X:1:X+20071005:0951+123+++++1'
3	UNH	M	1	Message header UNH+051020053+DELJIT:D:18A:UN:GAVC31'
4	BGM	M	1	Beginning of message BGM+340::6:PUS+DN0000061868:1+47'
5	DTM	R	1	Message date DTM+137:200509010723:203'
6	DTM	R	1	Collection date DTM+235:20180101:102'
7	FTX	D	1	Transport information FTX+TRA++X01::10+T01:1'
	<b>SG1</b>	O	1	Special trip indicator 7 RFF
8	RFF	M	1	Special trip indicator 7 RFF RFF+AKO:S'
	<b>SG1</b>	D	1	Transport number, assigned by Mercedes-Benz
9	RFF	M	1	Transport number, assigned by Mercedes-Benz RFF+AAO:Transport number'
	<b>SG1</b>	D	1	Bordero prefix
10	RFF	M	1	Bordero prefix RFF+AUS:2640'
	<b>SG2</b>	R	1	Buyer
11	NAD	M	1	Buyer's Name and Address NAD+BY+234348769::91++Name1:Name2+Street1:Street2+City+DE-MV+12345+DE'
	<b>SG2</b>	O	1	Seller Party
12	NAD	M	1	Seller's Name and Address NAD+SE+84752347::92++Name1:Name2+Street1:Street2+City+DE-MV+12345+DE'
	<b>SG2</b>	R	1	Ship-from
13	NAD	M	1	Ship From's Name and Address NAD+SF+12345678A::92++Name1:Name2+Street1:Street2+City++12345+DE'
	<b>SG2</b>	R	1	Ship-to party
14	NAD	M	1	ShipTo party's name and address NAD+ST+067::92++Name1:Name2+Street1:Street2+City++12345+DE'
	<b>SG2</b>	D	1	Freight forwarder

Tag = Segment-/Group Tag  
No = Consecutive segment number  
MaxOcc = Maximum occurrence of the segment/group

St = Status  
EDIFACT: M=Mandatory, C=Conditional  
Usage: R=Required, O=Optional, D=Dependent, A=Advised, N=Not used

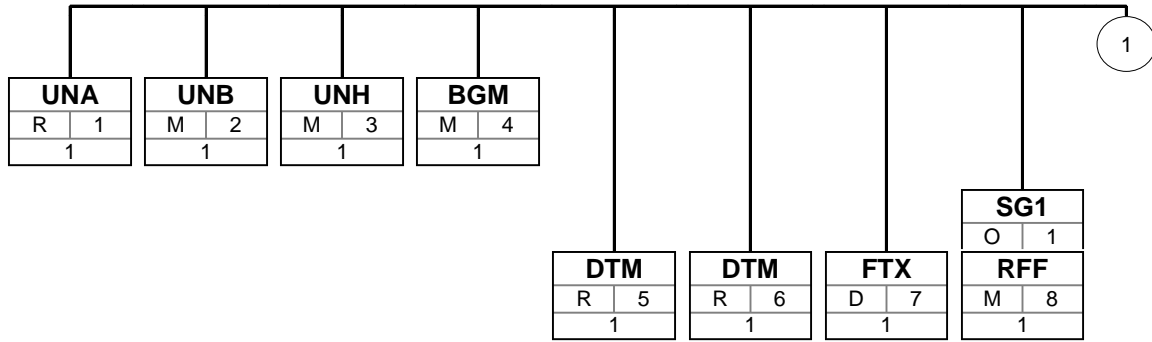
## Structure / Table of Contents

No	Tag	St	MaxOcc	Content
15	NAD	M	1	Freight forwarder - ID, name, address NAD+FW+Identifier::92++Name1:Name2+Street1:Street2+City++12345+DE'
<b>SG5</b> M 9999 Delivery Instruction Line PUS				
16	SEQ	M	1	Sequence details SEQ+40'
17	DTM	O	1	Nominal goods-in date DTM+2:20121212:102'
18	LOC	R	1	Place of discharge / place of delivery LOC+11+A90::92'
<b>SG9</b> R 9999 Product Item Line				
19	LIN	M	1	Line item LIN+000010++926423:IN'
20	IMD	O	99	Item description IMD+++:::Left mount:Iron'
<b>SG10</b> O 1 Framework agreement number/delivery schedule number				
21	RFF	M	1	Framework agreement number/delivery schedule number RFF+ON:RN43277'
<b>SG12</b> O 1 Information contact				
22	LOC	M	1	Place of destination / other internal locations LOC+159+:::N/A'
<b>SG13</b> R 1 Information contact				
23	CTA	M	1	Contact information CTA+SC+DisIndex:Abteilung oder Mitarbeiter Name'
24	COM	O	2	Communication contact COM+00491234567890:TE'
<b>SG14</b> R 1 Delivery quantity				
25	QTY	M	1	Delivery quantity QTY+113:500:C62'
26	UNT	M	1	Message trailer UNT+24+051020053'
27	UNZ	M	1	Interchange trailer UNZ+1+123'

Tag = Segment-/Group Tag  
 No = Consecutive segment number  
 MaxOcc = Maximum occurrence of the segment/group

St = Status  
 EDIFACT: M=Mandatory, C=Conditional  
 Usage: R=Required, O=Optional, D=Dependent, A=Advised,  
 N=Not used

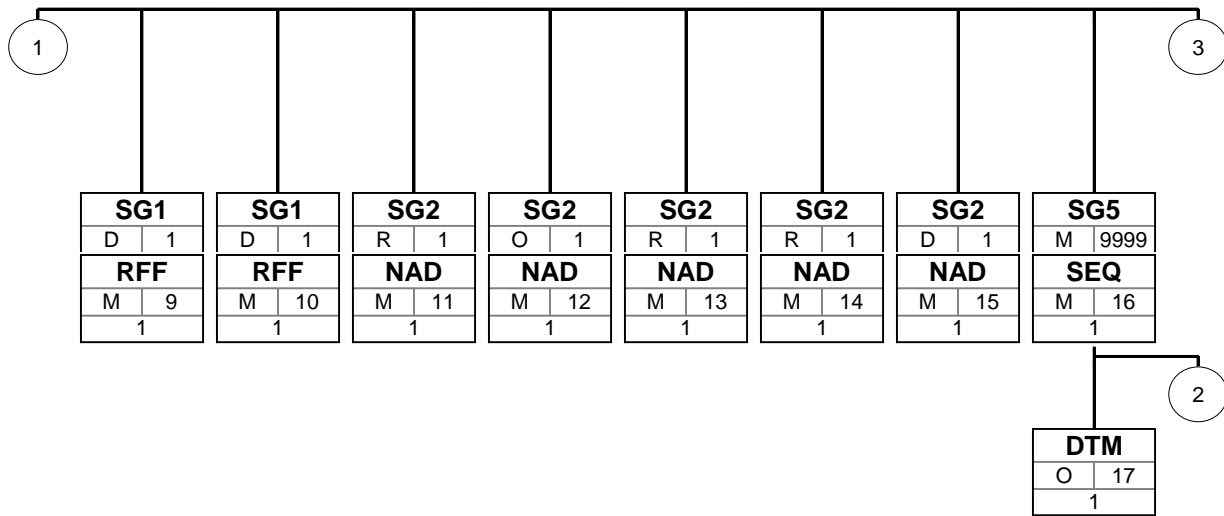
**Branching Diagram of Used Segments/Groups**



Tag
St No
MaxOcc

Tag = Segment-/Group Tag, No = Consecutive segment number,  
 St = Status: M=Mandatory, R=Required, C=Conditional, O=Optional, D=Dependent, A=Advised, N=Not used  
 MaxOcc = Maximum occurrence of the segment/group

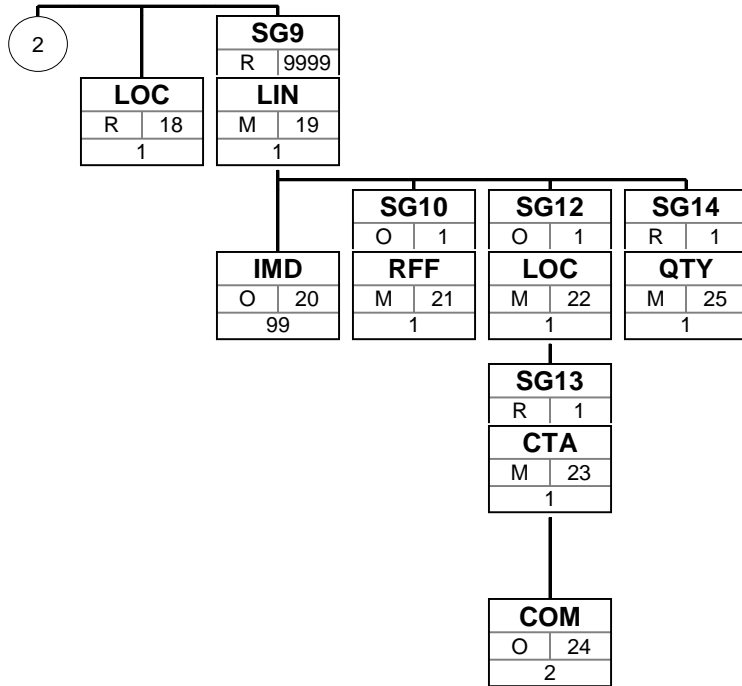
**Branching Diagram of Used Segments/Groups**



Tag
St No
MaxOcc

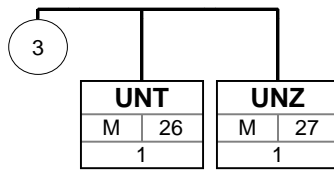
Tag = Segment-/Group Tag, No = Consecutive segment number,  
 St = Status: M=Mandatory, R=Required, C=Conditional, O=Optional, D=Dependent, A=Advised, N=Not used  
 MaxOcc = Maximum occurrence of the segment/group

**Branching Diagram of Used Segments/Groups**



Tag	Tag = Segment-/Group Tag, No = Consecutive segment number,
St No	St = Status: M=Mandatory, R=Required, C=Conditional, O=Optional, D=Dependent, A=Advised, N=Not used
MaxOcc	MaxOcc = Maximum occurrence of the segment/group

## Branching Diagram of Used Segments/Groups



Tag
St No
MaxOcc

Tag = Segment-/Group Tag, No = Consecutive segment number,

St = Status: M=Mandatory, R=Required, C=Conditional, O=Optional, D=Dependent, A=Advised, N=Not used

MaxOcc = Maximum occurrence of the segment/group

## Segments

No	Tag	St	MaxOcc	Name
1	<b>UNA</b>	R	1	Service string advice

Tag	Name	St	Format	Example	Usage / Remarks
UNA				<b>UNA</b>	
UNA1	Component data element separator	M	an1	:	Colon
UNA2	Data element separator	M	an1	+	Plus character
UNA3	Decimal notation	M	an1	.	Decimal point or comma This differs from version 4 that only allows decimal point.
UNA4	Release indicator	M	an1	?	Question mark
UNA5	Reserved for future use	M	an1		
UNA6	Segment terminator	M	an1	'	Inverted comma

**Remark:**  
The use of UNA is strongly recommended and UNA5 must be blank.

**Example:**  
UNA: + . ? '

No = Consecutive segment number, MaxOcc = Maximum occurrence of the segment/group St = Status: M/R = Mandatory/Required, C/O = Conditional/Optional, D = Dependent, N = Not used, a3 = exactly 3 alphabetic characters, n3 = exactly 3 numeric characters, an3 = exactly 3 alphanumeric characters, a..3 = up to 3 alphabetic characters, n..3 = up to 3 numeric characters, an..3 = up to 3 alphanumeric characters



## Segments

No	Tag	St	MaxOcc	Name
2	<b>UNB</b>	M	1	Interchange header

Tag	Name	St	Format	Example	Usage / Remarks
UNB				UNB	
S001	Syntax identifier	M			
0001	Syntax identifier	M	a4	+UNOC	<b>UNOA</b> <b>UNOB</b> <b>UNOC</b> <b>UNOD</b>
0002	Syntax version number	M	an1	:X	To use syntax version 4 according to the ISO 9735-11 profile, code "X" must be used here. <b>X</b> <b>Syntax version 4 ISO 9735-11 profile.</b>
S002	Interchange sender	M			
0004	Sender identification	M	an..35	+00013000560MB050000	Unique ID of the sender in the data transmission network or system. As it is a central system, the sender designation is always O0013000560MB050000, irrespective of the plant for which the Pick-Up Sheet is intended. This is a technical identification from which the plant relevance of the pick-up sheet may not be assumed.
0007	Partner identification code qualifier	O	an..4	:1	
0008	Address for reverse routing	O	an..14	:X	Address of an application or internal system at sender's site to which answer messages should be routed.
S003	Interchange recipient	M			
0010	Recipient identification	M	an..35	+X	Unique ID of the receiver in the data transmission network or system.
0007	Partner identification code qualifier	O	an..4	:1	
0014	Routing address	O	an..14	:X	Address of an application or internal system at recipient's site.
S004	Date/time of preparation	M			
0017	Date of preparation	M	n8	+20071005	Attention: Difference to syntax version 3, 8 digits (including century)! Format CCYYMMDD
0019	Time of preparation	M	n4	:0951	Format HHMM
0020	Interchange control reference	M	an..14	+123	Unique ID of an interchange.
S005	Recipient's reference, password	N			
0022	Recipient's reference/password	N		+	Nicht benutzt
0026	Application reference	N		+	Nicht benutzt
0029	Processing priority code	N		+	Nicht benutzt
0031	Acknowledgement request	N		+	Nicht benutzt
0032	Communications agreement ID	N		+	Nicht benutzt
0035	Test indicator	O	n1	+1'	<b>1</b> <b>Interchange is a test</b> Only to be used if the interchange is for test purposes. Omit this data element for valid interchanges.

**Remark:**

Due to the change in ISO standard 9735, VDA-EDIFACT recommendations will be based on the EDIFACT Syntax 3 compliant profile of EDIFACT Syntax 4 (ISO 9735 Part 11) from 2021-12. The service segments (UNA, UNB, UNH, UNS, UNT, UNZ) were adapted accordingly. The user data segments were not changed.

**Example:**

UNB+UNOC:X+00013000560MB050000:1:X+X:1:X+20071005:0951+123+++++1'

No = Consecutive segment number, MaxOcc = Maximum occurrence of the segment/group St = Status: M/R = Mandatory/Required, C/O = Conditional/Optional, D = Dependent, N = Not used, a3 = exactly 3 alphabetic characters, n3 = exactly 3 numeric characters, an3 = exactly 3 alphanumeric characters, a..3 = up to 3 alphabetic characters, n..3 = up to 3 numeric characters, an..3 = up to 3 alphanumeric characters

## Segments

No	Tag	St	MaxOcc	Name
3	<b>UNH</b>	M	1	Message header

Tag	Name	St	Format	Example	Usage / Remarks
UNH				UNH	
0062	Message reference number	M	an..14	+051020053	
S009	Message identifier	M			
0065	Message type	M	an..6	+DELJIT	<b>DELJIT</b>
0052	Message version number	M	an..3	:D	<b>D</b>
					<b>Delivery just in time message</b>
					<b>Draft version/UN/EDIFACT Directory</b>
0054	Message release number	M	an..3	:18A	<b>18A</b>
					<b>Release 2018 - A</b>
0051	Controlling agency	M	an..2	:UN	<b>UN</b>
					<b>UN/CEFACT</b>
0057	Association assigned code	R	an..6	:GAVC31'	Identification of the subset release, assigned by the responsible organisation (Odette resp. Joint Automotive Initiative Forum).
					<b>GAVC31</b>
					<b>VDA DELJIT Version 3.1</b>

**Remark:**

**Example:**

UNH+051020053+DELJIT:D:18A:UN:GAVC31'

No = Consecutive segment number, MaxOcc = Maximum occurrence of the segment/group St = Status: M/R = Mandatory/Required, C/O = Conditional/Optional, D = Dependent, N = Not used, a3 = exactly 3 alphabetic characters, n3 = exactly 3 numeric characters, an3 = exactly 3 alphanumeric characters, a..3 = up to 3 alphabetic characters, n..3 = up to 3 numeric characters, an..3 = up to 3 alphanumeric characters

**Segments**

No	Tag	St	MaxOcc	Name
4	<b>BGM</b>	M	1	Beginning of message

Tag	Name	St	Format	Example	Usage / Remarks
BGM				<b>BGM</b>	
C002	Document/message name	R			
1001	Document name code	R	an..3	<b>+340</b>	<b>340</b> <b>Shipping instructions</b>
1131	Code list identification code	N		:	Nicht benutzt
3055	Code list responsible agency code	O	an..3	: <b>6</b>	<b>6</b> <b>UNECE (United Nations - Economic Commission for Europe)</b> Code specifying the agency responsible for a code list.
1000	Document name	R	an..35	: <b>PUS</b>	<b>PUS</b> <b>Pick-Up-Sheet</b> <b>SPUS_SUP</b> <b>Special-Pick-Up-Sheet from supplier</b> <b>SPUS_OEM</b> <b>Special-Pick-Up-Sheet from Mercedes-Benz</b> <b>FORECAST</b> <b>Forecast-Pick-Up-Sheet</b>
C106	Document/message identification	R			
1004	Document identifier	R	an..70	<b>+DN0000061868</b>	Unique identifier of a document. Synonym: document number <b>Pick-up sheet number (1001 = 340)</b>
1056	Version identifier	O	an..9	: <b>1</b>	Due to the transmission of a pick-up sheet preview, the content (quantity and / or deadline) of pick-up sheets created once under the same pick-up sheet number can change. It is therefore necessary to version the different pick-up sheets.  If a PUS is created for the first time, it is given version number 1, if the content changes, it is given version number 2, etc.
1225	Message function code	O	an..3	<b>+47'</b>	1 - may be used to cancel a complete previous call-off 5 - is sent to replace the entire instruction, 55 - is sent if the receiver may use the notification information for analysis only. <b>1</b> <b>Cancellation</b> <b>5</b> <b>Replace</b> <b>6</b> <b>Confirmation</b> <b>47</b> <b>Definitive</b> <b>55</b> <b>Notification only</b> Code indicating the function of the document.

**Remark:**

**Example:**

BGM+340:::6:PUS+DN0000061868:1+47'

No = Consecutive segment number, MaxOcc = Maximum occurrence of the segment/group St = Status: M/R = Mandatory/Required, C/O = Conditional/Optional, D = Dependent, N = Not used, a3 = exactly 3 alphabetic characters, n3 = exactly 3 numeric characters, an3 = exactly 3 alphanumeric characters, a..3 = up to 3 alphabetic characters, n..3 = up to 3 numeric characters, an..3 = up to 3 alphanumeric characters

## Segments

No	Tag	St	MaxOcc	Name
5	<b>DTM</b>	R	1	Message date

Tag	Name	St	Format	Example	Usage / Remarks
DTM				<b>DTM</b>	
C507	Date/time/period	M			
2005	Date or time or period function code qualifier	M	an..3	+137	<b>137</b> <b>Document issue date time</b>
2380	Date or time or period text	R	an..35	:200509010723	Date on which a document or business signal was issued.
2379	Date or time or period format code	R	an..3	:203'	<b>203</b> <b>CCYYMMDDHHMM</b>

**Remark:**

**Example:**

DTM+137:200509010723:203'

No = Consecutive segment number, MaxOcc = Maximum occurrence of the segment/group St = Status: M/R = Mandatory/Required, C/O = Conditional/Optional, D = Dependent, N = Not used, a3 = exactly 3 alphabetic characters, n3 = exactly 3 numeric characters, an3 = exactly 3 alphanumeric characters, a..3 = up to 3 alphabetic characters, n..3 = up to 3 numeric characters, an..3 = up to 3 alphanumeric characters

## Segments

No	Tag	St	MaxOcc	Name
6	<b>DTM</b>	R	1	Collection date

Tag	Name	St	Format	Example	Usage / Remarks
DTM				DTM	
C507	Date/time/period	M			
2005	Date or time or period function code qualifier	M	an..3	+235	235 Collection date/time, latest
2380	Date or time or period text	R	an..35	:20180101	Collection date
2379	Date or time or period format code	R	an..3	:102'	102 CCYYMMDD 203 CCYYMMDDHHMM

**Remark:**

**Example:**

DTM+235:20180101:102'

No = Consecutive segment number, MaxOcc = Maximum occurrence of the segment/group St = Status: M/R = Mandatory/Required, C/O = Conditional/Optional, D = Dependent, N = Not used, a3 = exactly 3 alphabetic characters, n3 = exactly 3 numeric characters, an3 = exactly 3 alphanumeric characters, a..3 = up to 3 alphabetic characters, n..3 = up to 3 numeric characters, an..3 = up to 3 alphanumeric characters

**Segments**

No	Tag	St	MaxOcc	Name
7	<b>FTX</b>	D	1	Transport information

Tag	Name	St	Format	Example	Usage / Remarks
FTX				<b>FTX</b>	
4451	Text subject code qualifier	M	an..3	<b>+TRA</b>	<b>TRA</b> <b>Transportation information</b>
4453	Free text function code	N		<b>+</b>	Nicht benutzt
C107	Text reference	O			
4441	Free text description code	R	an..17	<b>+X01</b>	<b>Transport mode</b> <b>X01</b> Full truck load - with separate tender <b>X02</b> Full truck load - within the scope of area contract freight forwarder <b>X03</b> Milk run during unloading - with separate tender, direct contract <b>X04</b> Milk run during unloading - within the scope of area contract freight forwarder <b>X05</b> Distribution by area contract freight forwarder <b>X06</b> Milk run during loading - with separate tender, direct contract <b>X07</b> Milk run during loading - within the scope of area contract freight forwarder <b>X08</b> Milk run during loading and unloading - with separate tender, direct contract <b>X09</b> Milk run during loading and unloading - within the scope of area contract freight forwarder <b>X17</b> Courier Express Parcel (CEP)
1131	Code list identification code	N		:	Nicht benutzt
3055	Code list responsible agency code	R	an..3	:10	<b>10</b> <b>ODETTE</b>
C108	Text literal	O			
4440	Free text	M	an..512	<b>+T01</b>	<b>Transport means</b> <b>T01</b> Eurotrailer H 2.6, W 2.48, L 13.6 tarpauline or box <b>T02</b> Megatrailer H 3.0, W 2.48, L 13.6 tarpauline or box <b>T03</b> Jumbo swap body L 7.82, H 3.0, W 2.48 m <b>T04</b> Jumbo trailer pull <b>T05</b> 7.5 ton <b>T06</b> VAN / bus <b>T07</b> Car <b>T08</b> Aircraft <b>T09</b> Ocean Vessel <b>T10</b> Gialiner <b>T11</b> Tautliner <b>T12</b> Railway wagon <b>T13</b> Gooseneck Chassis
4440	Free text	O	an..512	:1'	<b>Loading sequence of a shipment on a means of transport (1 to 99)</b>

No = Consecutive segment number, MaxOcc = Maximum occurrence of the segment/group St = Status: M/R = Mandatory/Required, C/O = Conditional/Optional, D = Dependent, N = Not used, a3 = exactly 3 alphabetic characters, n3 = exactly 3 numeric characters, an3 = exactly 3 alphanumeric characters, a..3 = up to 3 alphabetic characters, n..3 = up to 3 numeric characters, an..3 = up to 3 alphanumeric characters

## Segments

**Remark:**

Mandatory field for regular pick-up sheets and KPUS cases.  
For SPUS cases, FTX+TRA - transport details, info not available.

**Example:**

FTX+TRA++X01:::10+T01:1'

## Segments

No	Tag	St	MaxOcc	Name
	<b>SG1</b>	O	1	Special trip indicator 7 RFF
8	<b>RFF</b>	M	1	Special trip indicator 7 RFF

Tag	Name	St	Format	Example	Usage / Remarks
RFF				<b>RFF</b>	
C506	Reference	M			
1153	Reference code qualifier	M	an..3	<b>+AKO</b>	<b>AKO</b> <b>Action authorization number</b>
1154	Reference identifier	R	an..70	<b>:S'</b>	<b>Special trip indicator 7 RFF</b>

**Remark:**

**Example:**

RFF+AKO:S'



## Segments

No	Tag	St	MaxOcc	Name
	<b>SG1</b>	D	1	Transport number, assigned by Mercedes-Benz
9	<b>RFF</b>	M	1	Transport number, assigned by Mercedes-Benz

Tag	Name	St	Format	Example	Usage / Remarks
RFF				<b>RFF</b>	
C506	Reference	M			
1153	Reference code qualifier	M	an..3	<b>+AAO</b>	<b>AAO</b> <b>Consignment identifier, consignee assigned</b>
1154	Reference identifier	R	an..35	<b>:Transport number'</b>	<b>Transport number, assigned by Mercedes-Benz</b>

**Remark:**

Pflichtfeld für reguläre Pick-Up Sheets und KPUS Fälle.  
 Für SPUS Fälle, RFF+AAO - Transportnummer, vergeben von Mercedes-Benz Info nicht vorhanden.

**Example:**

RFF+AAO:Transport number'

No = Consecutive segment number, MaxOcc = Maximum occurrence of the segment/group St = Status: M/R = Mandatory/Required, C/O = Conditional/Optional, D = Dependent, N = Not used, a3 = exactly 3 alphabetic characters, n3 = exactly 3 numeric characters, an3 = exactly 3 alphanumeric characters, a..3 = up to 3 alphabetic characters, n..3 = up to 3 numeric characters, an..3 = up to 3 alphanumeric characters

## Segments

No	Tag	St	MaxOcc	Name
	<b>SG1</b>	D	1	<b>Bordero prefix</b>
10	<b>RFF</b>	M	1	<b>Bordero prefix</b>

Tag	Name	St	Format	Example	Usage / Remarks
RFF				<b>RFF</b>	
C506	Reference	M			
1153	Reference code qualifier	M	an..3	<b>+AUS</b>	<b>AUS</b> <b>Delivery route reference</b>
1154	Reference identifier	R	an..70	<b>:2640'</b>	<b>Bordero prefix</b>

**Remark:**

Mandatory field for regular Pick-Up Sheets and for KPUS cases. For KPUS we send N/A.  
For SPUS cases, RFF+AUS - Bordero prefix info not available.

**Example:**

RFF+AUS:2640'

**Segments**

No	Tag	St	MaxOcc	Name
	<b>SG2</b>	R	1	Buyer
11	<b>NAD</b>	M	1	Buyer's Name and Address

Tag	Name	St	Format	Example	Usage / Remarks
NAD				NAD	
3035	Party function code qualifier	M	an..3	+BY	BY Buyer
C082	Party identification details	R			
3039	Party identifier	M	an..35	+234348769	Customer number assigned to the Mercedes-Benz (plant) by the supplier (3055 = 91). Three-digit plant code of the Mercedes-Benz plant (3055 = 92).
1131	Code list identification code	N		:	Nicht benutzt
3055	Code list responsible agency code	R	an..3	:91	92 Assigned by buyer or buyer's agent 91 Assigned by seller or seller's agent Code specifying the agency responsible for a code list.
C058	Name and address	N			
3124	Name and address description	N		+	Nicht benutzt
C080	Party name	O			
3036	Party name	M	an..70	+Name1	Single text line for specification of a name
3036	Party name	O	an..70	:Name2	Single text line for specification of a name
C059	Street	O			
3042	Street and number or post office box identifier	M	an..256	+Street1	The name that identifies the location of a house or building: usually within a street as part of an address.
3042	Street and number or post office box identifier	O	an..256	:Street2	The name that identifies the location of a house or building: usually within a street as part of an address.
3164	City name	O	an..35	+City	The name of the city, town, or village of this address.
C819	Country subdivision details	O			
3229	Country subdivision identifier	R	an..9	+DE-MV	State or region within a country. The use of UN LoCodes is recommended.
3251	Postal identification code	O	an..17	+12345	The identifier for one or more properties according to the postal service of that country; a group of letters and/or numbers added to the postal address to assist in the sorting of mail.
3207	Country identifier	O	an..3	+DE'	Provides the country part of an address using a code. Use ISO3166 two alpha code.

**Remark:**

Party to whom merchandise and/or service is sold.

**Example:**

NAD+BY+234348769;:91++Name1:Name2+Street1:Street2+City+DE-MV+12345+DE'

No = Consecutive segment number, MaxOcc = Maximum occurrence of the segment/group St = Status: M/R = Mandatory/Required, C/O = Conditional/Optional, D = Dependent, N = Not used, a3 = exactly 3 alphabetic characters, n3 = exactly 3 numeric characters, an3 = exactly 3 alphanumeric characters, a..3 = up to 3 alphabetic characters, n..3 = up to 3 numeric characters, an..3 = up to 3 alphanumeric characters

## Segments

No	Tag	St	MaxOcc	Name
	<b>SG2</b>	O	1	<b>Seller Party</b>
12	<b>NAD</b>	M	1	<b>Seller's Name and Address</b>

Tag	Name	St	Format	Example	Usage / Remarks
NAD				<b>NAD</b>	
3035	Party function code qualifier	M	an..3	<b>+SE</b>	<b>SE</b> <b>Seller</b>
C082	Party identification details	R			
3039	Party identifier	R	an..35	<b>+84752347</b>	Unique identification of a party by an ID.
1131	Code list identification code	N		<b>:</b>	Nicht benutzt
3055	Code list responsible agency code	R	an..3	<b>:92</b>	<b>91</b> <b>Assigned by seller or seller's agent</b> <b>92</b> <b>Assigned by buyer or buyer's agent</b> Code specifying the agency responsible for a code list.
C058	Name and address	N			
3124	Name and address description	N		<b>+</b>	Nicht benutzt
C080	Party name	O			
3036	Party name	M	an..70	<b>+Name1</b>	Single text line for specification of a name
3036	Party name	O	an..70	<b>:Name2</b>	Single text line for specification of a name
C059	Street	O			
3042	Street and number or post office box identifier	M	an..256	<b>+Street1</b>	The name that identifies the location of a house or building: usually within a street as part of an address.
3042	Street and number or post office box identifier	O	an..256	<b>:Street2</b>	The name that identifies the location of a house or building: usually within a street as part of an address.
3164	City name	O	an..35	<b>+City</b>	The name of the city, town, or village of this address.
C819	Country subdivision details	O			
3229	Country subdivision identifier	R	an..9	<b>+DE-MV</b>	State or region within a country. The use of UN LoCodes is recommended.
3251	Postal identification code	O	an..17	<b>+12345</b>	The identifier for one or more properties according to the postal service of that country; a group of letters and/or numbers added to the postal address to assist in the sorting of mail.
3207	Country identifier	O	an..3	<b>+DE'</b>	Provides the country part of an address using a code. Use ISO3166 two alpha code.

**Remark:**  
Party selling merchandise to a buyer.

**Example:**  
NAD+SE+84752347::92++Name1:Name2+Street1:Street2+City+DE-MV+12345+DE'

No = Consecutive segment number, MaxOcc = Maximum occurrence of the segment/group St = Status: M/R = Mandatory/Required, C/O = Conditional/Optional, D = Dependent, N = Not used, a3 = exactly 3 alphabetic characters, n3 = exactly 3 numeric characters, an3 = exactly 3 alphanumeric characters, a..3 = up to 3 alphabetic characters, n..3 = up to 3 numeric characters, an..3 = up to 3 alphanumeric characters

## Segments

No	Tag	St	MaxOcc	Name
	<b>SG2</b>	R	1	<b>Ship-from</b>
13	<b>NAD</b>	M	1	<b>Ship From's Name and Address</b>

Tag	Name	St	Format	Example	Usage / Remarks
NAD				NAD	
3035	Party function code qualifier	M	an..3	<b>+SF</b>	<b>SF</b> <b>Ship from</b>
C082	Party identification details	R			
3039	Party identifier	M	an..35	<b>+12345678A</b>	Unique identification of a party by an ID.
1131	Code list identification code	N		:	Nicht benutzt
3055	Code list responsible agency code	R	an..3	<b>:92</b>	<b>92</b> <b>Assigned by buyer or buyer's agent</b> Code specifying the agency responsible for a code list.
C058	Name and address	N			
3124	Name and address description	N		+	Nicht benutzt
C080	Party name	O			
3036	Party name	M	an..70	<b>+Name1</b>	Single text line for specification of a name
3036	Party name	O	an..70	<b>:Name2</b>	Single text line for specification of a name
C059	Street	O			
3042	Street and number or post office box identifier	M	an..256	<b>+Street1</b>	The name that identifies the location of a house or building: usually within a street as part of an address.
3042	Street and number or post office box identifier	O	an..256	<b>:Street2</b>	The name that identifies the location of a house or building: usually within a street as part of an address.
3164	City name	O	an..35	<b>+City</b>	The name of the city, town or village of this address.
C819	Country subdivision details	O			
3229	Country subdivision identifier	R	an..9	+	State or region within a country. The use of UN LoCodes is recommended.
3251	Postal identification code	O	an..17	<b>+12345</b>	The identifier for one or more properties according to the postal service of that country; a group of letters and/or numbers added to the postal address to assist in the sorting of mail.
3207	Country identifier	O	an..3	<b>+DE'</b>	Provides the country part of an address using a code. Use ISO3166 two alpha code.

**Remark:**  
The party which consigns or sends goods.

**Example:**  
NAD+SF+12345678A: :92++Name1:Name2+Street1:Street2+City++12345+DE'

No = Consecutive segment number, MaxOcc = Maximum occurrence of the segment/group St = Status: M/R = Mandatory/Required, C/O = Conditional/Optional, D = Dependent, N = Not used, a3 = exactly 3 alphabetic characters, n3 = exactly 3 numeric characters, an3 = exactly 3 alphanumeric characters, a..3 = up to 3 alphabetic characters, n..3 = up to 3 numeric characters, an..3 = up to 3 alphanumeric characters

## Segments

No	Tag	St	MaxOcc	Name
	<b>SG2</b>	R	1	<b>Ship-to party</b>
14	<b>NAD</b>	M	1	<b>ShipTo party's name and address</b>

Tag	Name	St	Format	Example	Usage / Remarks
NAD				NAD	
3035	Party function code qualifier	M	an..3	+ST	<b>ST</b> <b>Ship to</b>
C082	Party identification details	R			
3039	Party identifier	M	an..35	+067	Unique identification of a party by an ID.
1131	Code list identification code	N		:	Nicht benutzt
3055	Code list responsible agency code	R	an..3	:92	<b>92</b> <b>Assigned by buyer or buyer's agent</b> Code specifying the agency responsible for a code list.
C058	Name and address	N			
3124	Name and address description	N		+	Nicht benutzt
C080	Party name	O			
3036	Party name	M	an..70	+Name1	Single text line for specification of a name
3036	Party name	O	an..70	:Name2	Single text line for specification of a name
C059	Street	O			
3042	Street and number or post office box identifier	M	an..256	+Street1	The name that identifies the location of a house or building: usually within a street as part of an address.
3042	Street and number or post office box identifier	O	an..256	:Street2	The name that identifies the location of a house or building: usually within a street as part of an address.
3164	City name	O	an..35	+City	The name of the city, town, or village of this address.
C819	Country subdivision details	O			
3229	Country subdivision identifier	R	an..9	+	State or region within a country. The use of UN LoCodes is recommended.
3251	Postal identification code	O	an..17	+12345	The identifier for one or more properties according to the postal service of that country; a group of letters and/or numbers added to the postal address to assist in the sorting of mail.
3207	Country identifier	O	an..3	+DE '	Provides the country part of an address using a code. Use ISO3166 two alpha code.

**Remark:**  
The party to which goods are to be shipped (consigned).

**Example:**  
NAD+ST+067::92++Name1:Name2+Street1:Street2+City++12345+DE'

No = Consecutive segment number, MaxOcc = Maximum occurrence of the segment/group St = Status: M/R = Mandatory/Required, C/O = Conditional/Optional, D = Dependent, N = Not used, a3 = exactly 3 alphabetic characters, n3 = exactly 3 numeric characters, an3 = exactly 3 alphanumeric characters, a..3 = up to 3 alphabetic characters, n..3 = up to 3 numeric characters, an..3 = up to 3 alphanumeric characters

**Segments**

No	Tag	St	MaxOcc	Name
	<b>SG2</b>	D	1	Freight forwarder
15	<b>NAD</b>	M	1	Freight forwarder - ID, name, address

Tag	Name	St	Format	Example	Usage / Remarks
NAD				<b>NAD</b>	
3035	Party function code qualifier	M	an..3	<b>+FW</b>	<b>FW</b> <b>Freight forwarder</b>
C082	Party identification details	O			
3039	Party identifier	R	an..35	<b>+Identifier</b>	Unique identifier of business partner (customer number, supplier number, DUNS number, etc.).
1131	Code list identification code	N		:	Nicht benutzt
3055	Code list responsible agency code	R	an..3	: <b>92</b>	Code specifying the agency responsible for a code list. <b>92</b> <b>Assigned by buyer or buyer's agent</b>
C058	Name and address	N			
3124	Name and address description	N		+	Nicht benutzt
C080	Party name	O			
3036	Party name	M	an..70	<b>+Name1</b>	Freight Forwarder's Name Single text line for specification of a name
3036	Party name	O	an..70	: <b>Name2</b>	see 3036 # 1
C059	Street	O			
3042	Street and number or post office box identifier	M	an..256	<b>+Street1</b>	Part of address identifying the location of a building, normally given together with street
3042	Street and number or post office box identifier	O	an..256	: <b>Street2</b>	see 3042 # 1
3164	City name	O	an..35	<b>+City</b>	The name of the city, town, or village of this address.
C819	Country subdivision details	O			
3229	Country subdivision identifier	R	an..9	+	State or region within a country. The use of UN LoCodes is recommended.
3251	Postal identification code	O	an..17	<b>+12345</b>	Identifier of one or more address data properties according to the postal service of the respective country
3207	Country identifier	O	a2	<b>+DE'</b>	Provides the country part of an address using a code. Use ISO3166 two alpha code.

**Remark:**

The freight forwarder is the business partner put in charge of the organisation of the transport  
Mandatory field for regular pick-up sheets and for KPUS cases.  
For SPUS cases, NAD+FW - forwarder info not available.

**Example:**

NAD+FW+Identifier::92++Name1:Name2+Street1:Street2+City++12345+DE'

No = Consecutive segment number, MaxOcc = Maximum occurrence of the segment/group St = Status: M/R = Mandatory/Required, C/O = Conditional/Optional, D = Dependent, N = Not used, a3 = exactly 3 alphabetic characters, n3 = exactly 3 numeric characters, an3 = exactly 3 alphanumeric characters, a..3 = up to 3 alphabetic characters, n..3 = up to 3 numeric characters, an..3 = up to 3 alphanumeric characters

**Segments**

No	Tag	St	MaxOcc	Name
	<b>SG5</b>	M	9999	Delivery Instruction Line PUS
16	<b>SEQ</b>	M	1	Sequence details

Tag	Name	St	Format	Example	Usage / Remarks
SEQ				SEQ	
1229	Action code	R	an..3	+40'	40 Agreed

**Remark:**

**Example:**

SEQ+40'

No = Consecutive segment number, MaxOcc = Maximum occurrence of the segment/group St = Status: M/R = Mandatory/Required, C/O = Conditional/Optional, D = Dependent, N = Not used, a3 = exactly 3 alphabetic characters, n3 = exactly 3 numeric characters, an3 = exactly 3 alphanumeric characters, a..3 = up to 3 alphabetic characters, n..3 = up to 3 numeric characters, an..3 = up to 3 alphanumeric characters



## Segments

No	Tag	St	MaxOcc	Name
	<b>SG5</b>	M	9999	<b>Delivery Instruction Line PUS</b>
17	<b>DTM</b>	O	1	<b>Nominal goods-in date</b>

Tag	Name	St	Format	Example	Usage / Remarks
DTM				<b>DTM</b>	
C507	Date/time/period	M			
2005	Date or time or period function code qualifier	M	an..3	+2	<b>2 Delivery date/time, requested</b>
2380	Date or time or period text	R	an..35	:20121212	<b>Nominal goods-in date</b>
2379	Date or time or period format code	R	an..3	:102'	<b>102 CCYMMDD</b>

**Remark:**

**Example:**

DTM+2:20121212:102'

No = Consecutive segment number, MaxOcc = Maximum occurrence of the segment/group St = Status: M/R = Mandatory/Required, C/O = Conditional/Optional, D = Dependent, N = Not used, a3 = exactly 3 alphabetic characters, n3 = exactly 3 numeric characters, an3 = exactly 3 alphanumeric characters, a..3 = up to 3 alphabetic characters, n..3 = up to 3 numeric characters, an..3 = up to 3 alphanumeric characters

## Segments

No	Tag	St	MaxOcc	Name
	<b>SG5</b>	M	9999	<b>Delivery Instruction Line PUS</b>
18	<b>LOC</b>	R	1	<b>Place of discharge / place of delivery</b>

Tag	Name	St	Format	Example	Usage / Remarks
LOC				LOC	
3227	Location function code qualifier	M	an..3	+11	<b>11</b> <b>Place of discharge</b>
C517	Location identification	R			
3225	Location identifier	O	an..35	+A90	Identifier / code specifying the name of a location.
1131	Code list identification code	N		:	Nicht benutzt
3055	Code list responsible agency code	R	an..3	:92'	Code specifying the agency responsible for a code list. <b>92</b> <b>Assigned by buyer or buyer's agent</b>

**Remark:**

Only one unloading point is specified per message.

**Example:**

LOC+11+A90 : : 92'

No = Consecutive segment number, MaxOcc = Maximum occurrence of the segment/group St = Status: M/R = Mandatory/Required, C/O = Conditional/Optional, D = Dependent, N = Not used, a3 = exactly 3 alphabetic characters, n3 = exactly 3 numeric characters, an3 = exactly 3 alphanumeric characters, a..3 = up to 3 alphabetic characters, n..3 = up to 3 numeric characters, an..3 = up to 3 alphanumeric characters

**Segments**

No	Tag	St	MaxOcc	Name
	<b>SG5</b>	M	9999	<b>Delivery Instruction Line PUS</b>
	<b>SG9</b>	R	9999	<b>Product Item Line</b>
19	<b>LIN</b>	M	1	<b>Line item</b>

Tag	Name	St	Format	Example	Usage / Remarks
LIN				<b>LIN</b>	
1082	Line item identifier	O	an..6	<b>+000010</b>	
1229	Action code	N		<b>+</b>	Nicht benutzt
C212	Item number identification	R			
7140	Item identifier	R	an..35	<b>+926423</b>	Information directly relating to the identification of an article by the buyer's identification system. Note: The term article is synonymous with the term item. Since in the global joint automotive projects the term article has been used, this naming convention has been continued.
7143	Item type identification code	R	an..3	<b>:IN'</b>	<b>IN Buyer's item number</b>

**Remark:**

**Example:**

LIN+000010++926423:IN'

No = Consecutive segment number, MaxOcc = Maximum occurrence of the segment/group St = Status: M/R = Mandatory/Required, C/O = Conditional/Optional, D = Dependent, N = Not used, a3 = exactly 3 alphabetic characters, n3 = exactly 3 numeric characters, an3 = exactly 3 alphanumeric characters, a..3 = up to 3 alphabetic characters, n..3 = up to 3 numeric characters, an..3 = up to 3 alphanumeric characters

## Segments

No	Tag	St	MaxOcc	Name
	<b>SG5</b>	M	9999	<b>Delivery Instruction Line PUS</b>
	<b>SG9</b>	R	9999	<b>Product Item Line</b>
20	<b>IMD</b>	O	99	<b>Item description</b>

Tag	Name	St	Format	Example	Usage / Remarks
IMD				<b>IMD</b>	
7077	Description format code	N		<b>+</b>	Nicht benutzt
C272	Item characteristic	N			
7081	Item characteristic code	N		<b>+</b>	Nicht benutzt
C273	Item description	R			
7009	Item description code	N		<b>+</b>	Nicht benutzt
1131	Code list identification code	N		<b>:</b>	Nicht benutzt
3055	Code list responsible agency code	N		<b>:</b>	Nicht benutzt
7008	Item description	O	an..256	<b>:Left mount</b>	The short name or description of an article or service in plain text.
7008	Item description	O	an..256	<b>:Iron'</b>	The short name or description of an article or service in plain text.

**Remark:**

**Example:**

IMD+++:::Left mount:Iron'

No = Consecutive segment number, MaxOcc = Maximum occurrence of the segment/group St = Status: M/R = Mandatory/Required, C/O = Conditional/Optional, D = Dependent, N = Not used, a3 = exactly 3 alphabetic characters, n3 = exactly 3 numeric characters, an3 = exactly 3 alphanumeric characters, a..3 = up to 3 alphabetic characters, n..3 = up to 3 numeric characters, an..3 = up to 3 alphanumeric characters

**Segments**

No	Tag	St	MaxOcc	Name
	<b>SG5</b>	M	9999	Delivery Instruction Line PUS
	<b>SG9</b>	R	9999	Product Item Line
	<b>SG10</b>	O	1	Framework agreement number/delivery schedule number
21	<b>RFF</b>	M	1	Framework agreement number/delivery schedule number

Tag	Name	St	Format	Example	Usage / Remarks
RFF				RFF	
C506	Reference	M			
1153	Reference code qualifier	M	an..3	+ON	ON Order document identifier, buyer assigned
1154	Reference identifier	R	an..70	:RN43277'	Framework agreement number/delivery schedule number

**Remark:**

**Example:**

RFF+ON:RN43277'

No = Consecutive segment number, MaxOcc = Maximum occurrence of the segment/group St = Status: M/R = Mandatory/Required, C/O = Conditional/Optional, D = Dependent, N = Not used, a3 = exactly 3 alphabetic characters, n3 = exactly 3 numeric characters, an3 = exactly 3 alphanumeric characters, a..3 = up to 3 alphabetic characters, n..3 = up to 3 numeric characters, an..3 = up to 3 alphanumeric characters

## Segments

No	Tag	St	MaxOcc	Name
	<b>SG5</b>	M	9999	<b>Delivery Instruction Line PUS</b>
	<b>SG9</b>	R	9999	<b>Product Item Line</b>
	<b>SG12</b>	O	1	<b>Information contact</b>
22	<b>LOC</b>	M	1	<b>Place of destination / other internal locations</b>

Tag	Name	St	Format	Example	Usage / Remarks
LOC				LOC	
3227	Location function code qualifier	M	an..3	+159	<b>159</b> <b>Additional internal destination</b>
C517	Location identification	R			
3225	Location identifier	N		+	Nicht benutzt
1131	Code list identification code	N		:	Nicht benutzt
3055	Code list responsible agency code	N		:	Nicht benutzt
3224	Location name	R	an..256	:N/A'	<b>N/A</b> <b>fix value not available</b>

**Remark:**

**Example:**

LOC+159+:::N/A'

**Segments**

No	Tag	St	MaxOcc	Name
	<b>SG5</b>	M	9999	<b>Delivery Instruction Line PUS</b>
	<b>SG9</b>	R	9999	<b>Product Item Line</b>
	<b>SG12</b>	O	1	<b>Information contact</b>
	<b>SG13</b>	R	1	<b>Information contact</b>
23	<b>CTA</b>	M	1	<b>Contact information</b>

Tag	Name	St	Format	Example	Usage / Remarks
CTA				<b>CTA</b>	
3139	Contact function code	R	an..3	<b>+SC</b>	<b>SC Schedule contact</b>
C056	Contact details	O			
3413	Contact identifier	O	an..17	<b>+DisIndex</b>	<b>Planners index</b> Identifies the employee by a unique identifier other than their name when given as a contact.
3412	Contact name	O	an..256	<b>:Abteilung oder Mitarbeiter Name'</b>	Name of the contact person

**Remark:**

Article related information that identifies the contact person or department responsible for the scheduling of deliveries. This contact may change from item to item and is therefore related to the scheduled article level rather than to the ship-to level.

**Example:**

CTA+SC+DisIndex:Abteilung oder Mitarbeiter Name'

No = Consecutive segment number, MaxOcc = Maximum occurrence of the segment/group St = Status: M/R = Mandatory/Required, C/O = Conditional/Optional, D = Dependent, N = Not used, a3 = exactly 3 alphabetic characters, n3 = exactly 3 numeric characters, an3 = exactly 3 alphanumeric characters, a..3 = up to 3 alphabetic characters, n..3 = up to 3 numeric characters, an..3 = up to 3 alphanumeric characters

**Segments**

No	Tag	St	MaxOcc	Name
	<b>SG5</b>	M	9999	<b>Delivery Instruction Line PUS</b>
	<b>SG9</b>	R	9999	<b>Product Item Line</b>
	<b>SG12</b>	O	1	<b>Information contact</b>
	<b>SG13</b>	R	1	<b>Information contact</b>
24	<b>COM</b>	O	2	<b>Communication contact</b>

Tag	Name	St	Format	Example	Usage / Remarks
COM				COM	
C076	Communication contact	M			
3148	Communication address identifier	M	an..512	+00491234567890	The number or virtual 'address' in a telecommunication system.
3155	Communication means type code	M	an..3	:TE'	<b>TE</b> Telephone <b>EM</b> Electronic mail

**Remark:**

**Example:**

COM+00491234567890:TE'

No = Consecutive segment number, MaxOcc = Maximum occurrence of the segment/group St = Status: M/R = Mandatory/Required, C/O = Conditional/Optional, D = Dependent, N = Not used, a3 = exactly 3 alphabetic characters, n3 = exactly 3 numeric characters, an3 = exactly 3 alphanumeric characters, a..3 = up to 3 alphabetic characters, n..3 = up to 3 numeric characters, an..3 = up to 3 alphanumeric characters



**Segments**

No	Tag	St	MaxOcc	Name
	<b>SG5</b>	M	9999	Delivery Instruction Line PUS
	<b>SG9</b>	R	9999	Product Item Line
	<b>SG14</b>	R	1	Delivery quantity
25	<b>QTY</b>	M	1	Delivery quantity

Tag	Name	St	Format	Example	Usage / Remarks
QTY				QTY	
C186	Quantity details	M			
6063	Quantity type code qualifier	M	an..3	+113	<b>113</b> <b>Quantity to be delivered</b>
6060	Quantity	M	an..35	:500	Quantity, scheduled or instructed for delivery
6411	Measurement unit code	R	an..8	:C62'	Code specifying the unit of measurement, use UN/ECE Recommendation 20, Common code. <b>C62</b> <b>one</b> <b>PCE</b> <b>piece</b> <b>SET</b> <b>set</b> <b>MTR</b> <b>metre</b> <b>MTK</b> <b>square metre</b> <b>MTQ</b> <b>cubic metre</b> <b>LTR</b> <b>litre</b> <b>TNE</b> <b>tonne (metric ton)</b> <b>KGM</b> <b>kilogram</b> <b>KMT</b> <b>kilometre</b> PCE und C62 sind Synonym für Stück. PCE and C62 are ynonymous for piece <b>GRM</b> <b>gram</b> <b>MLT</b> <b>millilitre</b> <b>MMT</b> <b>millimetre</b> <b>PR</b> <b>pair</b> <b>RO</b> <b>roll</b> <b>DR</b> <b>drum</b>

**Remark:**

**Example:**

QTY+113:500:C62'

No = Consecutive segment number, MaxOcc = Maximum occurrence of the segment/group St = Status: M/R = Mandatory/Required, C/O = Conditional/Optional, D = Dependent, N = Not used, a3 = exactly 3 alphabetic characters, n3 = exactly 3 numeric characters, an3 = exactly 3 alphanumeric characters, a..3 = up to 3 alphabetic characters, n..3 = up to 3 numeric characters, an..3 = up to 3 alphanumeric characters

## Segments

No	Tag	St	MaxOcc	Name
26	<b>UNT</b>	M	1	Message trailer

Tag	Name	St	Format	Example	Usage / Remarks
UNT				<b>UNT</b>	
0074	Number of segments in the message	M	n..6	+24	Control value: number of segments
0062	Message reference number	M	an..14	+051020053'	Control value: message reference number

**Remark:**

**Example:**

UNT+24+051020053'

No = Consecutive segment number, MaxOcc = Maximum occurrence of the segment/group St = Status: M/R = Mandatory/Required, C/O = Conditional/Optional, D = Dependent, N = Not used, a3 = exactly 3 alphabetic characters, n3 = exactly 3 numeric characters, an3 = exactly 3 alphanumeric characters, a..3 = up to 3 alphabetic characters, n..3 = up to 3 numeric characters, an..3 = up to 3 alphanumeric characters

**Segments**

No	Tag	St	MaxOcc	Name
27	<b>UNZ</b>	M	1	Interchange trailer

Tag	Name	St	Format	Example	Usage / Remarks
UNZ				UNZ	
0036	Interchange control count	M	n..6	+1	
0020	Interchange control reference	M	an..14	+123'	

**Remark:**

**Example:**

UNZ+1+123'

No = Consecutive segment number, MaxOcc = Maximum occurrence of the segment/group St = Status: M/R = Mandatory/Required, C/O = Conditional/Optional, D = Dependent, N = Not used, a3 = exactly 3 alphabetic characters, n3 = exactly 3 numeric characters, an3 = exactly 3 alphanumeric characters, a..3 = up to 3 alphabetic characters, n..3 = up to 3 numeric characters, an..3 = up to 3 alphanumeric characters