

# Global INVOIC

Recommendation VDA 4938 Part 2

Version 2.4, October 2018



## Short Description

This recommendation describes the use of UN/EDIFACT message INVOIC for invoicing processes in the automotive industry.

## Disclaimer

The VDA Recommendations are recommendations that may be freely adopted by anyone. Users are responsible for correct implementation of the recommendations as required on a case-by-case basis.

The recommendations take into account the prevailing technology at the time of publication. Use of the VDA Recommendations does not absolve anyone from responsibility for his/her own actions, and all users act at their own risk. Liability of VDA and those involved in drafting of VDA Recommendations is excluded.

If you notice any errors, omissions or ambiguities in these recommendations, please contact VDA without delay so that these errors can be rectified.

Publisher            Verband der Automobilindustrie e.V. (VDA)  
Behrenstrasse 35, 10117 Berlin  
[www.vda.de](http://www.vda.de)

This recommendation was developed by Invoicing Processes Working Committee.

Copyright            Verband der Automobilindustrie e.V. (VDA)

Reprint, also in extracts,  
is only permitted, if the source is stated

Version                Version 2.4, October 2018

## Table of contents

|                        |     |
|------------------------|-----|
| Table of contents..... | 3   |
| List of changes .....  | 4   |
| Branching diagram..... | 9   |
| Message structure..... | 21  |
| Segment details .....  | 26  |
| Applicable codes.....  | 166 |

## List of changes

| No. | Change   | Change Request | Date       | Version | Segment(-group) and data element   |
|-----|--|----------------|------------|---------|--|
| 01  | AK KIT Juni 2013   |                | 2013-07-25 | 2.0     | 12 FTX<br>Preference information   |
|     | neues Segment mit Qualifier CUS - für<br>Präferenzberechtigung / new segment with qualifier<br>CUS for preference indication   |                |            |         |  |
| 02  | AK Abrechnung Sept<br>2013   |                | 2013-10-09 | 2.0     | 14 SG1 RFF C506 1153<br><i>SG1#1</i><br>Other Reference<br>Reference number  |
|     | neuer Qualifier AVS - Mandatsreferenz für SEPA<br>Lastschrift<br>neuer Qualifier AST - Kumulierungsnummer im<br>Gutschriftsverfahren<br>new qualifier AVS - mandate reference for SEPA<br>direct debit<br>new qualifie AST - accumulation number in self<br>billed invoice process |                |            |         |  |
| 03  | AK Abrechnung<br>September 2013  |                | 2013-10-10 | 2.0     | SG5<br>Quality assurance contact   |
|     | neue Segmentgruppe für Qualitäts- /<br>Relamationskontakt beim Kunden<br>new segment group for quality contact at customer's<br>organisation   |                |            |         |  |
| 04  | -  |                | 2013-08-15 | 2.0     | 22 SG2 NAD C082 3039<br><i>SG2#3</i><br>Ship-to<br>Ship-to's name and address  |
|     | Kommentar zur Werksnummer ergänzt /<br>comment re plant number amended   |                |            |         |  |
| 05  | AK Abrechnung Sept<br>2013   |                | 2013-10    | 2.0     | 27 SG3 RFF C506 1153<br><i>SG2#4\SG3#1</i><br>Seller's / invoice issuer's reference number(s)<br>Sellers's reference number(s) |
|     | neuer Qualifier AHL - Gläubiger ID für SEPA<br>Lastschrift / ne qualifier AHL for SEPA direct debit  |                |            |         |  |
| 06  | AK Abrechnung Sept.<br>2013  |                | 2013-10    | 2.0     | 45 SG8 MOA<br><i>SG8#1</i><br>Payment instructions<br>Direct debit transfer amount   |
|     | Neues Segment MOA+372 für SEPA Lastschrift /<br>new segment MOA+372 for SEPA direct deboz  |                |            |         |  |
| 07  | AK Abrechnung Sept<br>2013   |                | 2013-10    | 2.0     | 46 SG8 PAI<br><i>SG8#1</i><br>Payment instructions<br>Indicator for payment with direct debit procedure                        |
|     | Neues Segment für SEPA-Lastschrift / new segment<br>for SEPA direct debit  |                |            |         |  |
| 08  | AK Abrechnung Sept<br>2013   |                | 2013-10    | 2.0     | 49 SG8 FII 3035<br><i>SG8#2</i><br>Buyer's financial institution<br>Financial institution information                          |
|     | neuer Qualifier BI - Bank des Käufers für SEPA<br>Lastschrift / new qualifier BI for SEPA direct debit   |                |            |         |  |

## List of changes

| No. | Change   |            |         |    | Segment(-group) and data element |     |      |      |  |
|-----|--|------------|---------|----|----------------------------------|-----|------|------|--|
|     | Change Request   | Date       | Version |    |                                  |     |      |      |  |
| 09  | AK Abrechnung<br>September 2013<br><br>neuer Qualifier GB - interne Artikelgruppennummer<br>= Teilefamilie /<br>new qualifier GB - internal article group number   | 2013-10-10 | 2.0     | 59 | SG26                             | PIA | C212 | 7143 | <i>SG26#1</i><br>Line item section<br>Additional article identifier(s) 1 |
| 10  | AK Abrechnung<br>September 2013<br><br>Format auf n..15 erweitert / format extended to n..15   | 2013-10-10 | 2.0     | 61 | SG26                             | QTY | C186 | 6060 | <i>SG26#1</i><br>Line item section<br>Invoiced quantity                  |
| 11  | AK Abrechnung<br>September 2013<br><br>neuer Qualifier MH - Produktionsauftragsnummer /<br>new qualifier MH  | 2013-10-10 | 2.0     | 79 | SG30                             | RFF | C506 | 1153 | <i>SG26#1\SG30#1</i><br>References to messages<br>Reference number       |
| 12  | AK Abrechnung<br>September 2013<br><br>neuer Qualifier ACE - Referenz zu Anlagen / new<br>qualifier ACE  | 2013-10-10 | 2.0     | 79 | SG30                             | RFF | C506 | 1153 | <i>SG26#1\SG30#1</i><br>References to messages<br>Reference number       |
| 13  | Korrektur / correction<br><br>Kommentar korrigiert: SBI Gutschrift (402) zu<br>verwenden für Gutschriften aus Warenrückversand<br>/ comment corrected: use code 402 for credit notes<br>originating from good return | 2014-06-30 | 2.1     | 04 |                                  | BGM | C002 | 1001 | Type of invoice and invoice number                                       |
| 14  | 2014-001<br><br>neu SG 49 Auflistung der Einzellieferungen / new<br>SG 49  | 2014-07-15 | 2.1     |    | SG49                             |     |      |      | Delivery history detail information                                      |
| 15  | -<br><br>GAVA21 --> GAVA22   | 2016-07-31 | 2.2     | 03 |                                  | UNH | S009 | 0057 | Message header   |
| 16  | AK Abrechnung Juni<br>2016<br><br>neuer Qualifier ANJ - Referenz auf UUID in Mexiko<br>new qualifier ANJ - UUID reference as used in<br>Mexico   | 2016-07-11 | 2.2     | 14 | SG1                              | RFF | C506 | 1153 | <i>SG1#1</i><br>Other Reference<br>Reference number                      |
| 17  | AK Abrechnung Juni<br>2016<br><br>Format für alle DE 1154 auf an..70 erweitert<br>Format for all DE 1154 extended to an..70  | 2016-07-10 | 2.2     | 14 | SG1                              | RFF | C506 | 1154 | <i>SG1#1</i><br>Other Reference<br>Reference number                      |
| 18  | Korrektur/Correction<br><br>MaxRep 5 --> MaxRep 6  | 2016-05-13 | 2.2     |    | SG3                              |     |      |      | Seller's / invoice issuer's reference number(s)                          |

## List of changes

| No. | Change  |            |         |   | Segment(-group) and data element   |
|-----|---|------------|---------|---|--|
|     | Change Request  | Date       | Version |   |  |
| 19  | Korrektur/Correction<br>MaxRep 1 --> MaxRep 3   | 2016-05-13 | 2.2     | SG29  | Calculation gross price  |
| 20  | 2016-002 Daimler AG<br>neuer Qualifier/ new Qualifier AAQ -<br>Containernummer / container number | 2016-07-15 | 2.2     | 79 SG30 RFF C506 1153<br><i>SG26#1\SG30#1</i> | References to messages<br>Reference number   |
| 21  | -<br>GAVA22 --> GAVA23  | 2018-04-03 | 2.3     | 03 UNH S009 0057                              | Message header   |
| 22  | 2017-003 Bosch<br>Code 413 ergänzt / added  | 2017-12-05 | 2.3     | 04 BGM C002 1001                              | Type of invoice and invoice number   |
| 23  | 2017-002 Daimler<br>Status O->R   | 2017-12-05 | 2.3     | SG2   | Ship-to  |
| 24  | 2017-002 Daimler<br>Status O->R   | 2017-12-05 | 2.3     | SG2   | Ship-from  |
| 25  | 2018-001 VDA<br>neue Segmentgruppe / new segment group  | 2018-03-08 | 2.3     | SG16  | Allowances or charges on invoice level   |
| 26  | EN 16931<br>Codeliste aktualisiert  | 2017-12    | 2.3     | 55 SG22 TAX 5305<br><i>SG16#1\SG22#1</i>      | VAT or other tax rate and amount for the allowance<br>or charge<br>VAT or other tax rate |
| 27  | 2017-001 Audi<br>neuer Code / new code FCR  | 2017-12-05 | 2.3     | 77 SG29 PRI C509 5387<br><i>SG26#1\SG29#1</i> | Calculation net price<br>Price details   |
| 28  | EN 16931<br>Codeliste aktualisiert  | 2017-12    | 2.3     | 81 SG34 TAX 5305<br><i>SG26#1\SG34#1</i>      | VAT or other tax rate and amount for line item<br>VAT or other tax rate                  |
| 29  | X-Rechnung<br>neues Segment / new segment   | 2018-04    | 2.3     | 113 SG50 MOA<br><i>SG50#10</i>                | Amount to be paid<br>Amount to be paid   |
| 30  | EN 16931<br>Codeliste aktualisiert  | 2017-12    | 2.3     | 115 SG52 TAX 5305<br><i>SG52#1</i>            | Tax rates and amounts<br>Tax type and rate   |
| 31  | -<br>GAVA23 --> GAVA24  | 2018-12-31 | 2.4     | 03 UNH S009 0057                              | Message header   |

## List of changes

| No. | Change<br>Change Request  | Date       | Version | Segment(-group) and data element  |
|-----|---|------------|---------|---|
| 32  | 2018-VDA<br>neuer Qualifier ACD - Leitwegs-ID in Deutschland<br>new qualifier ACD - official German routing ID for public procurement                 | 2018-10-31 | 2.4     | 14 SG1 RFF C506 1153<br><i>SG1#1</i><br>Other Reference<br>Reference number                           |
| 33  | 2018-003<br>neue SG-Variante/ new SG variant  | 2018-10-24 | 2.4     | SG8<br>Buyer's financial institution  |
| 34  | 2018-003<br>MaxRep 1->2   | 2018-10-24 | 2.4     | 49 SG8 FII<br><i>SG8#2</i><br>Buyer's financial institution<br>Financial institution information      |
| 35  | 2018-003<br>BI kann grundsätzlich angegeben werden, nicht nur bei Lastschrift / BI can be included in any situation, not only in case of direct debit | 2018-10-24 | 2.4     | 49 SG8 FII 3035<br><i>SG8#2</i><br>Buyer's financial institution<br>Financial institution information |
| 36  | 2018-003<br>Neu/new   | 2018-10-25 | 2.4     | 65 SG26 DTM<br><i>SG26#1</i><br>Line item section<br>Start of invoicing period                        |
| 37  | 2018-003<br>Neu/new   | 2018-10-25 | 2.4     | 66 SG26 DTM<br><i>SG26#1</i><br>Line item section<br>End of invoicing period                          |
| 38  | 2018-002<br>neue Codes / new codes AOU & ATP  | 2018-09-28 | 2.4     | 79 SG30 RFF C506 1153<br><i>SG26#1\SG30#1</i><br>References to messages<br>Reference number           |
| 39  | 2018-015<br>Erweiterte Anwendung / extends usage  | 2018-12-18 | 2.4     | 89 SG39 ALC<br><i>SG26#1\SG39#1</i><br>Allowances or charges<br>Allowance/charge                      |
| 40  | 2018-015<br>neue Segmentgruppe / new segment group  | 2018-12-18 | 2.4     | SG50<br>Amount excluding VAT  |
| 41  | 2018-001<br>Neu / enabled   | 2018-09-28 | 2.4     | 115 SG52 TAX C241 5152<br><i>SG52#1</i><br>Tax rates and amounts<br>Tax type and rate                 |

## Structure of an UN/EDIFACT interchange

An EDIFACT interchange file contains an interchange frame (UNB-UNZ) with one or more messages (UNH-UNT). The interchange frame can be preceded by a service string advice to define the used separator characters (recommended).

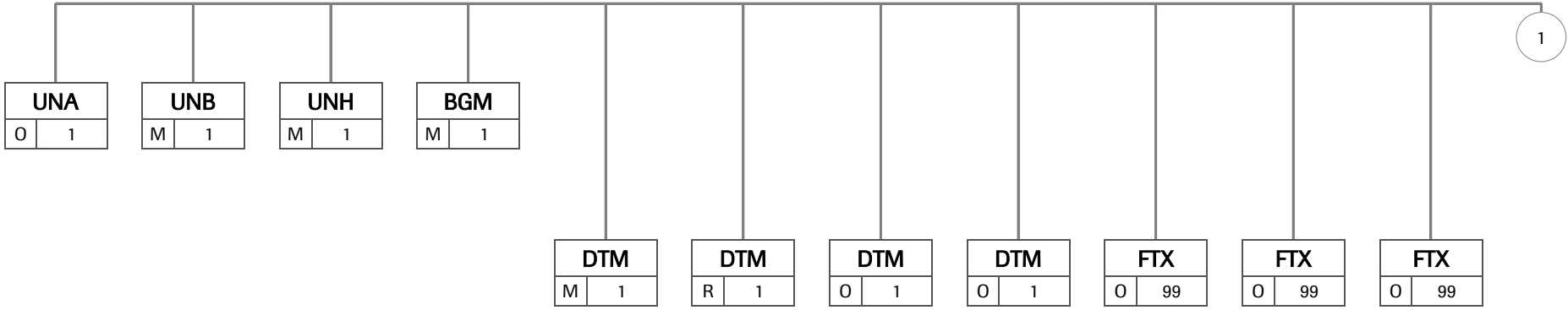
Usually one interchange file contains only messages of the same type, e.g. INVOIC

For more information, please refer to recommendation VDA 4900.

| Status    | Segment | Description           |
|-----------|---------|-----------------------|
| Optional  | UNA     | Service String Advice |
| Mandatory | UNB     | Interchange header    |
| Mandatory | UNH     | 1. Message header     |
|           | ...     | Message segments      |
| Mandatory | UNT     | 1. Message trailer    |
|           | UNH     | 2. Message header     |
|           | ...     | Message segments      |
|           | UNT     | 2. Message trailer    |
|           | etc.    |                       |
|           | UNH     | n. Message header     |
|           | ...     | Message segments      |
|           | UNT     | n. Message trailer    |
| Mandatory | UNZ     | Interchange trailer   |



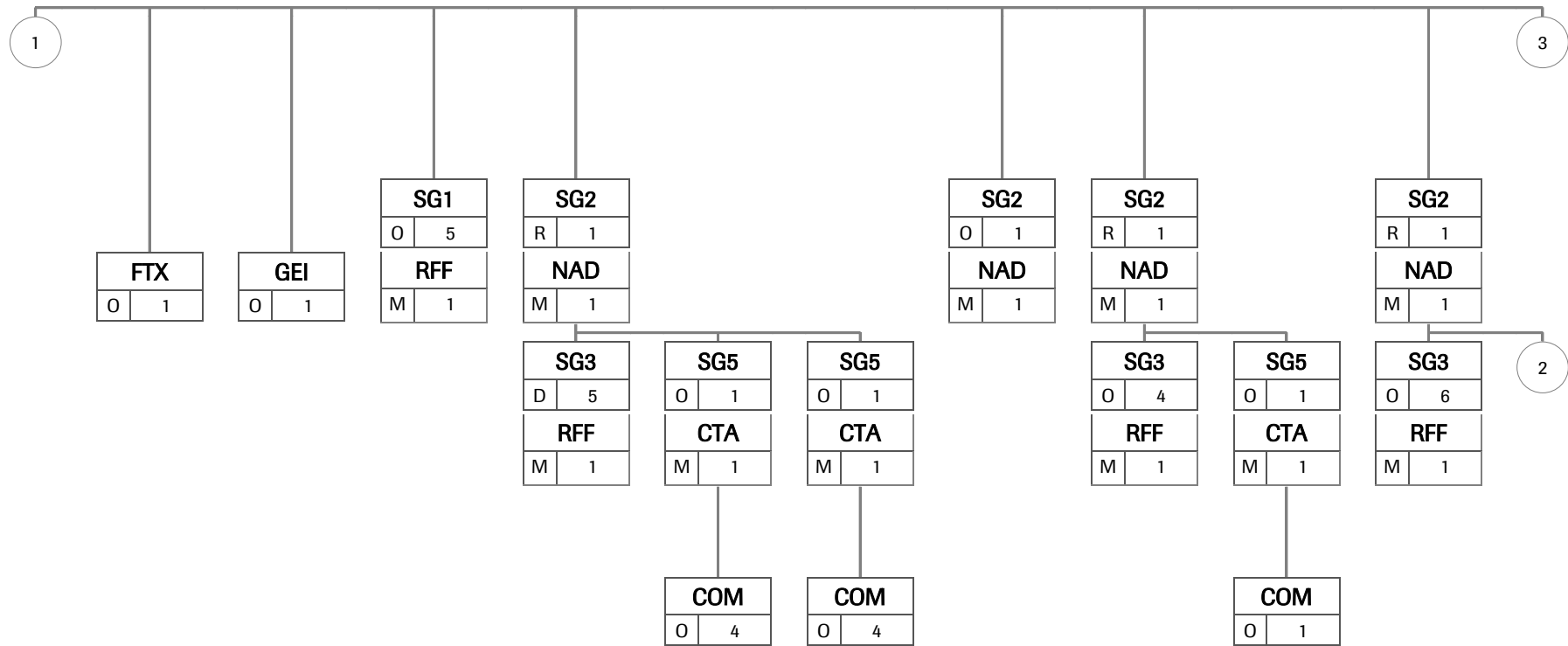
Branching diagram of used segments and groups



Black segments/groups are used, grey segments/groups are available in the message type but not used.

|           |  |
|-----------|--|
| Tag       | Tag = Segment-/group tag, MaxRep = maximum repetition of segment/group                   |
| St MaxRep | St = Status (M=Mandatory, C=Conditional, R=Required, O=Optional, D=Dependent, A=Advised) |

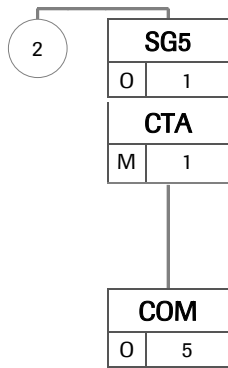
### Branching diagram of used segments and groups



Black segments/groups are used, grey segments/groups are available in the message type but not used.

|           |  |
|-----------|--|
| Tag       | Tag = Segment-/group tag, MaxRep = maximum repetition of segment/group                   |
| St MaxRep | St = Status (M=Mandatory, C=Conditional, R=Required, O=Optional, D=Dependent, A=Advised) |

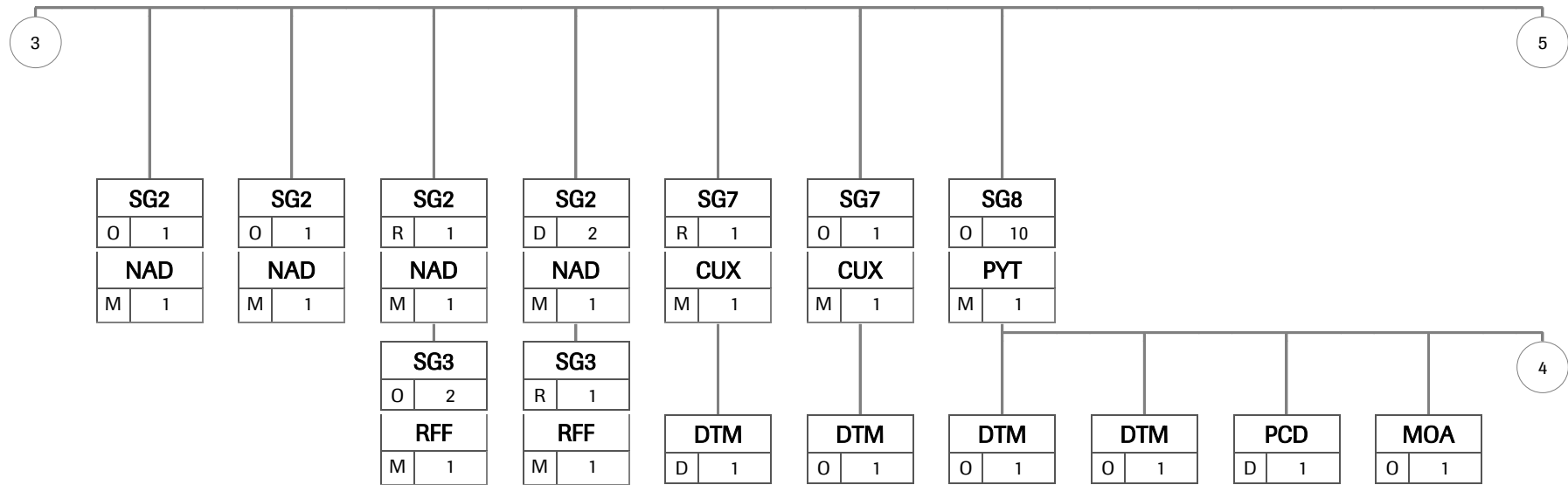
## Branching diagram of used segments and groups



Black segments/groups are used, grey segments/groups are available in the message type but not used.

|           |  |
|-----------|--|
| Tag       | Tag = Segment-/group tag, MaxRep = maximum repetition of segment/group                   |
| St MaxRep | St = Status (M=Mandatory, C=Conditional, R=Required, O=Optional, D=Dependent, A=Advised) |

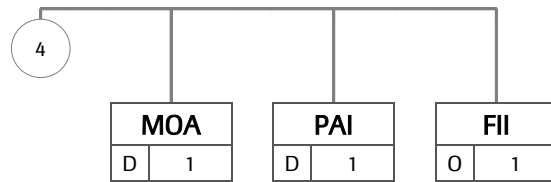
### Branching diagram of used segments and groups



Black segments/groups are used, grey segments/groups are available in the message type but not used.

|           |  |
|-----------|--|
| Tag       | Tag = Segment-/group tag, MaxRep = maximum repetition of segment/group                   |
| St MaxRep | St = Status (M=Mandatory, C=Conditional, R=Required, O=Optional, D=Dependent, A=Advised) |

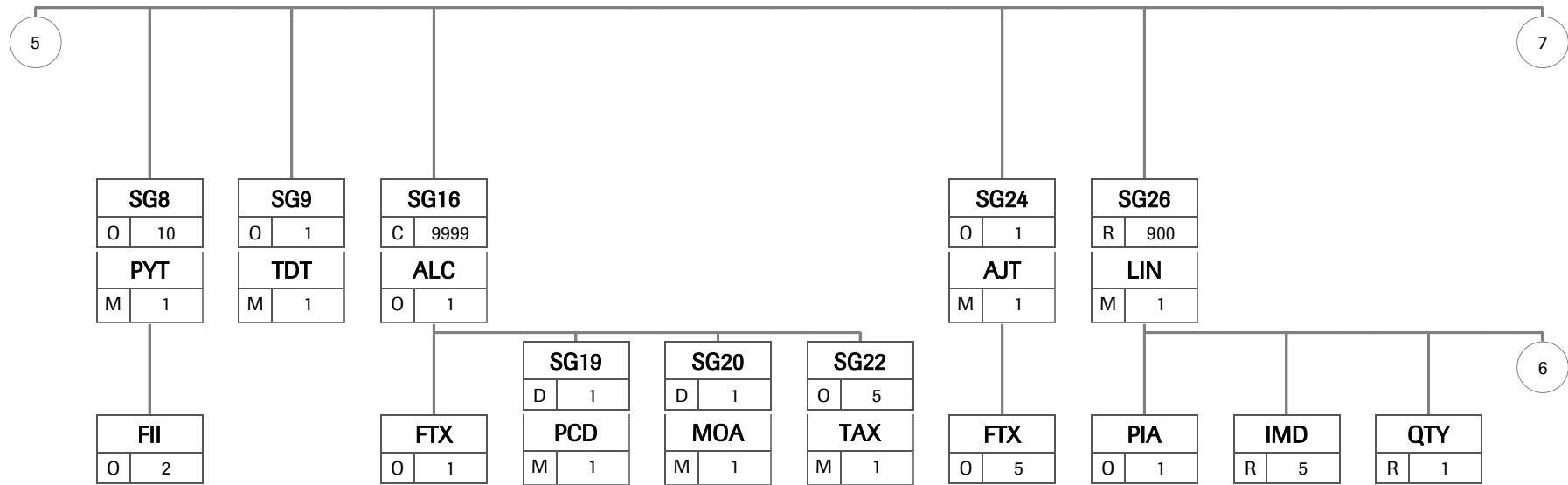
## Branching diagram of used segments and groups



Black segments/groups are used, grey segments/groups are available in the message type but not used.

|           |  |
|-----------|--|
| Tag       | Tag = Segment-/group tag, MaxRep = maximum repetition of segment/group                   |
| St MaxRep | St = Status (M=Mandatory, C=Conditional, R=Required, O=Optional, D=Dependent, A=Advised) |

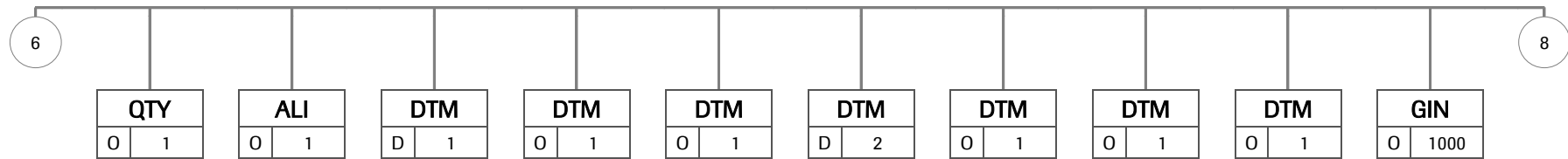
### Branching diagram of used segments and groups



Black segments/groups are used, grey segments/groups are available in the message type but not used.

|           |  |
|-----------|--|
| Tag       | Tag = Segment-/group tag, MaxRep = maximum repetition of segment/group                   |
| St MaxRep | St = Status (M=Mandatory, C=Conditional, R=Required, O=Optional, D=Dependent, A=Advised) |

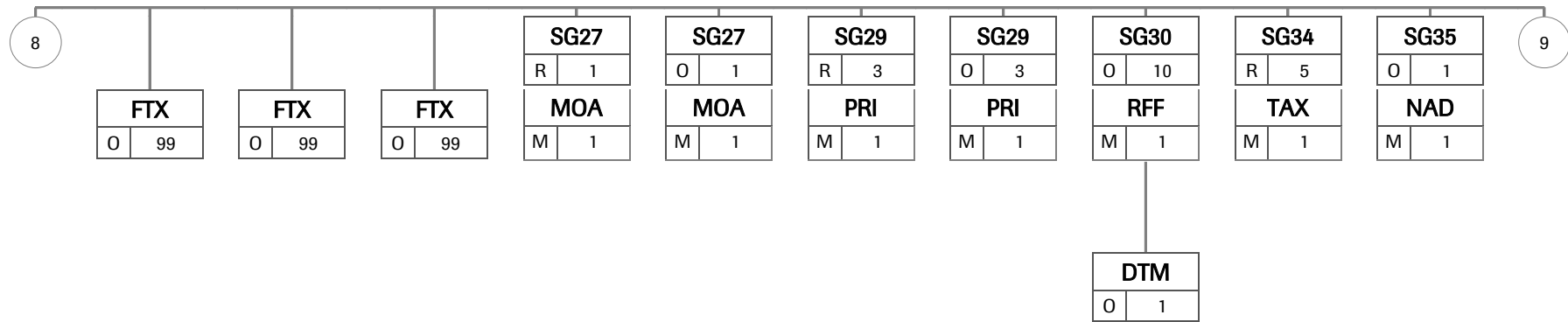
## Branching diagram of used segments and groups



Black segments/groups are used, grey segments/groups are available in the message type but not used.

|           |  |
|-----------|--|
| Tag       | Tag = Segment-/group tag, MaxRep = maximum repetition of segment/group                   |
| St MaxRep | St = Status (M=Mandatory, C=Conditional, R=Required, O=Optional, D=Dependent, A=Advised) |

## Branching diagram of used segments and groups

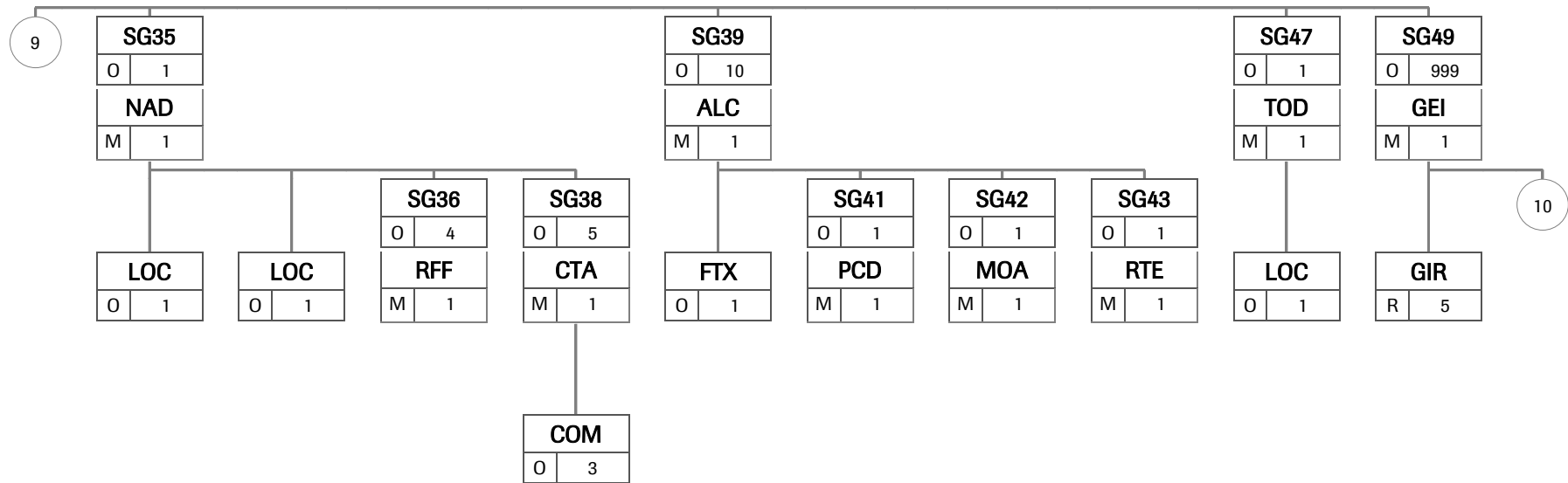


Black segments/groups are used, grey segments/groups are available in the message type but not used.

| Tag  | MaxRep | St   |
|--|--------|--|
| Tag = Segment-/group tag, MaxRep = maximum repetition of segment/group |        | St = Status (M=Mandatory, C=Conditional, R=Required, O=Optional, D=Dependent, A=Advised) |



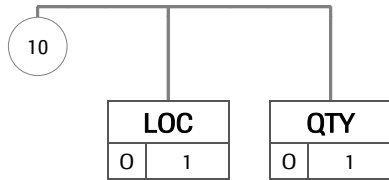
### Branching diagram of used segments and groups



Black segments/groups are used, grey segments/groups are available in the message type but not used.

|           |  |
|-----------|--|
| Tag       | Tag = Segment-/group tag, MaxRep = maximum repetition of segment/group                   |
| St MaxRep | St = Status (M=Mandatory, C=Conditional, R=Required, O=Optional, D=Dependent, A=Advised) |

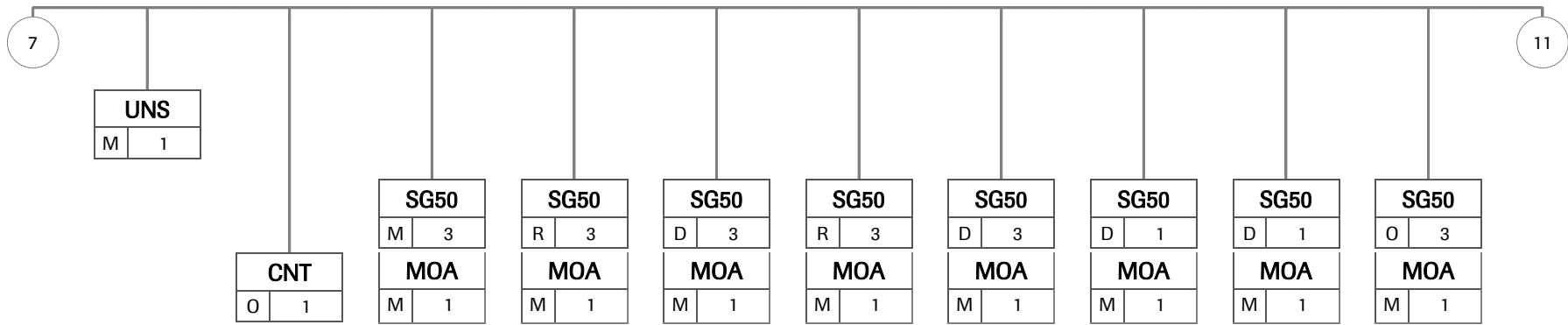
## Branching diagram of used segments and groups



Black segments/groups are used, grey segments/groups are available in the message type but not used.

| Tag  | MaxRep | St   |
|--|--------|--|
| Tag = Segment-/group tag, MaxRep = maximum repetition of segment/group |        | St = Status (M=Mandatory, C=Conditional, R=Required, O=Optional, D=Dependent, A=Advised) |

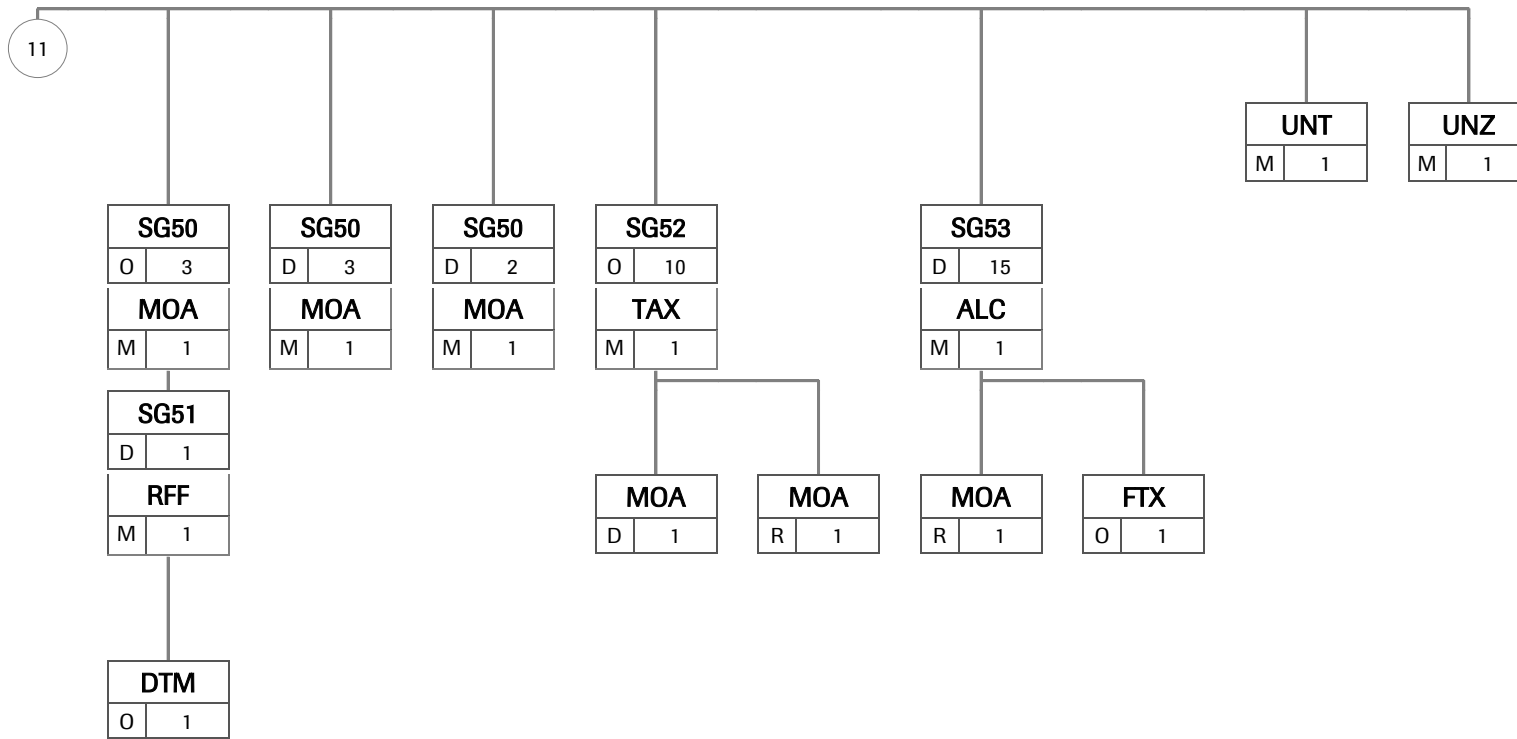
### Branching diagram of used segments and groups



Black segments/groups are used, grey segments/groups are available in the message type but not used.

|           |  |
|-----------|--|
| Tag       | Tag = Segment-/group tag, MaxRep = maximum repetition of segment/group                   |
| St MaxRep | St = Status (M=Mandatory, C=Conditional, R=Required, O=Optional, D=Dependent, A=Advised) |

### Branching diagram of used segments and groups



Black segments/groups are used, grey segments/groups are available in the message type but not used.

|           |  |
|-----------|--|
| Tag       | Tag = Segment-/group tag, MaxRep = maximum repetition of segment/group                   |
| St MaxRep | St = Status (M=Mandatory, C=Conditional, R=Required, O=Optional, D=Dependent, A=Advised) |

## Structure / content

| No. | Tag        | St | MaxRep | Content   |
|-----|------------|----|--------|---|
| 1   | <b>UNA</b> | O  | 1      | Service string advice                           |
| 2   | <b>UNB</b> | M  | 1      | Interchange header                              |
| 3   | <b>UNH</b> | M  | 1      | Message header                                  |
| 4   | <b>BGM</b> | M  | 1      | Type of invoice and invoice number              |
| 5   | <b>DTM</b> | M  | 1      | Message date                                    |
| 6   | <b>DTM</b> | R  | 1      | Delivery or Service Completion Date             |
| 7   | <b>DTM</b> | O  | 1      | Delivery /service horizon start date            |
| 8   | <b>DTM</b> | O  | 1      | Delivery / service horizon end date             |
| 9   | <b>FTX</b> | O  | 99     | Legal info free text                            |
| 10  | <b>FTX</b> | O  | 99     | Payment instructions free text                  |
| 11  | <b>FTX</b> | O  | 99     | General information free text                   |
| 12  | <b>FTX</b> | O  | 1      | Preference information                          |
| 13  | <b>GEI</b> | O  | 1      | Processing indicator                            |
|     | <b>SG1</b> | O  | 5      | Other Reference                                 |
| 14  | <b>RFF</b> | M  | 1      | Reference number                                |
|     | <b>SG2</b> | R  | 1      | Buyer / Invoicee                                |
| 15  | <b>NAD</b> | M  | 1      | Buyer's / invoicee's name and address           |
|     | <b>SG3</b> | D  | 5      | Buyer's / invoicee's reference number(s)        |
| 16  | <b>RFF</b> | M  | 1      | Reference number(s)                             |
|     | <b>SG5</b> | O  | 1      | Information contact                             |
| 17  | <b>CTA</b> | M  | 1      | Contact information                             |
| 18  | <b>COM</b> | O  | 4      | Communication contact                           |
|     | <b>SG5</b> | O  | 1      | Quality assurance contact                       |
| 19  | <b>CTA</b> | M  | 1      | Contact information                             |
| 20  | <b>COM</b> | O  | 4      | Communication contact                           |
|     | <b>SG2</b> | O  | 1      | Divergent Invoicee                              |
| 21  | <b>NAD</b> | M  | 1      | Divergent invoicee's name and address           |
|     | <b>SG2</b> | R  | 1      | Ship-to   |
| 22  | <b>NAD</b> | M  | 1      | Ship-to's name and address                      |
|     | <b>SG3</b> | O  | 4      | Ship-to's reference number(s)                   |
| 23  | <b>RFF</b> | M  | 1      | Ship-to's reference number(s)                   |
|     | <b>SG5</b> | O  | 1      | Ship-to's delivery contact                      |
| 24  | <b>CTA</b> | M  | 1      | Ship-to's delivery contact                      |
| 25  | <b>COM</b> | O  | 1      | Communication contact                           |
|     | <b>SG2</b> | R  | 1      | Seller / Invoice Issuer                         |
| 26  | <b>NAD</b> | M  | 1      | Seller's / invoice issuer's name and address    |
|     | <b>SG3</b> | O  | 6      | Seller's / invoice issuer's reference number(s) |
| 27  | <b>RFF</b> | M  | 1      | Sellers's reference number(s)                   |
|     | <b>SG5</b> | O  | 1      | Information contact                             |
| 28  | <b>CTA</b> | M  | 1      | Information contact                             |
| 29  | <b>COM</b> | O  | 5      | Communication contact                           |
|     | <b>SG2</b> | O  | 1      | Divergent invoice issuer                        |
| 30  | <b>NAD</b> | M  | 1      | Divergent invoice issuer's name and address     |
|     | <b>SG2</b> | O  | 1      | Payee   |

Tag = Tag; No. = consecutive segment number in the guide; MaxRep = maximum repetition; St = status (M=mandatory, C=conditional, R=required, O=optional, D=dependent, A=advised)

## Structure / content

| No. | Tag         | St | MaxRep | Content  |
|-----|-------------|----|--------|--|
| 31  | <b>NAD</b>  | M  | 1      | Payee's name and address                                     |
|     | <b>SG2</b>  | R  | 1      | Ship-from  |
| 32  | <b>NAD</b>  | M  | 1      | Ship-from's name and address                                 |
|     | <b>SG3</b>  | O  | 2      | Ship-from's reference number(s)                              |
| 33  | <b>RFF</b>  | M  | 1      | Ship-from's reference number(s)                              |
|     | <b>SG2</b>  | D  | 2      | Tax representative party                                     |
| 34  | <b>NAD</b>  | M  | 1      | Tax representative's name and address                        |
|     | <b>SG3</b>  | R  | 1      | VAT registration number                                      |
| 35  | <b>RFF</b>  | M  | 1      | VAT registration number                                      |
|     | <b>SG7</b>  | R  | 1      | Invoice and home or payment currency                         |
| 36  | <b>CUX</b>  | M  | 1      | Currencies   |
| 37  | <b>DTM</b>  | D  | 1      | Exchange rate date   |
|     | <b>SG7</b>  | O  | 1      | Home currency  |
| 38  | <b>CUX</b>  | M  | 1      | Home currency  |
| 39  | <b>DTM</b>  | O  | 1      | Exchange rate date   |
|     | <b>SG8</b>  | O  | 10     | Payment instructions   |
| 40  | <b>PYT</b>  | M  | 1      | Payment terms  |
| 41  | <b>DTM</b>  | O  | 1      | Payment due date   |
| 42  | <b>DTM</b>  | O  | 1      | Reference date/time  |
| 43  | <b>PCD</b>  | D  | 1      | Discount, payment or instalment percentage                   |
| 44  | <b>MOA</b>  | O  | 1      | Instalment or payment discount amount                        |
| 45  | <b>MOA</b>  | D  | 1      | Direct debit transfer amount                                 |
| 46  | <b>PAI</b>  | D  | 1      | Indicator for payment with direct debit procedure            |
| 47  | <b>FII</b>  | O  | 1      | Financial institution information                            |
|     | <b>SG8</b>  | O  | 10     | Buyer's financial institution                                |
| 48  | <b>PYT</b>  | M  | 1      | Payment terms  |
| 49  | <b>FII</b>  | O  | 2      | Financial institution information                            |
|     | <b>SG9</b>  | O  | 1      | Transport details  |
| 50  | <b>TDT</b>  | M  | 1      | Transport information  |
|     | <b>SG16</b> | C  | 9999   | Allowances or charges on invoice level                       |
| 51  | <b>ALC</b>  | O  | 1      | Allowance or charge  |
| 52  | <b>FTX</b>  | O  | 1      | Charge description text                                      |
|     | <b>SG19</b> | D  | 1      | Allowance/charge - percentage                                |
| 53  | <b>PCD</b>  | M  | 1      | Allowance/charge Percentage                                  |
|     | <b>SG20</b> | D  | 1      | Allowance/charge - monetary amount                           |
| 54  | <b>MOA</b>  | M  | 1      | Allowance/charge - monetary amount                           |
|     | <b>SG22</b> | O  | 5      | VAT or other tax rate and amount for the allowance or charge |
| 55  | <b>TAX</b>  | M  | 1      | VAT or other tax rate  |
|     | <b>SG24</b> | O  | 1      | Adjustments  |
| 56  | <b>AJT</b>  | M  | 1      | Adjustment reason trigger                                    |
| 57  | <b>FTX</b>  | O  | 5      | Adjustment reason  |
|     | <b>SG26</b> | R  | 900    | Line item section  |
| 58  | <b>LIN</b>  | M  | 1      | Line item and article number                                 |
| 59  | <b>PIA</b>  | O  | 1      | Additional article identifier(s) 1                           |

Tag = Tag; No. = consecutive segment number in the guide; MaxRep = maximum repetition; St = status (M=mandatory, C=conditional, R=required, O=optional, D=dependent, A=advised)

## Structure / content

| No. | Tag  | St | MaxRep | Content  |
|-----|------|----|--------|--|
| 60  | IMD  | R  | 5      | Description of article or service                      |
| 61  | QTY  | R  | 1      | Invoiced quantity                                      |
| 62  | QTY  | O  | 1      | Kilometre reading (milage)                             |
| 63  | ALI  | O  | 1      | Country of origin, customs information and booking key |
| 64  | DTM  | D  | 1      | Delivery or service completion date                    |
| 65  | DTM  | O  | 1      | Start of invoicing period                              |
| 66  | DTM  | O  | 1      | End of invoicing period                                |
| 67  | DTM  | D  | 2      | Delivery date  |
| 68  | DTM  | O  | 1      | Goods receipt date                                     |
| 69  | DTM  | O  | 1      | Inspection (acceptance) date                           |
| 70  | DTM  | O  | 1      | First registration date                                |
| 71  | GIN  | O  | 1000   | Goods identity number                                  |
| 72  | FTX  | O  | 99     | Terms of delivery text                                 |
| 73  | FTX  | O  | 99     | Tax exemption reason text                              |
| 74  | FTX  | O  | 99     | General text information                               |
|     | SG27 | R  | 1      | Line item net amount                                   |
| 75  | MOA  | M  | 1      | Line item net amount in invoice currency               |
|     | SG27 | O  | 1      | Line item gross amount                                 |
| 76  | MOA  | M  | 1      | Line item gross amount in invoice currency             |
|     | SG29 | R  | 3      | Calculation net price                                  |
| 77  | PRI  | M  | 1      | Price details  |
|     | SG29 | O  | 3      | Calculation gross price                                |
| 78  | PRI  | M  | 1      | Price details  |
|     | SG30 | O  | 10     | References to messages                                 |
| 79  | RFF  | M  | 1      | Reference number                                       |
| 80  | DTM  | O  | 1      | Reference message date                                 |
|     | SG34 | R  | 5      | VAT or other tax rate and amount for line item         |
| 81  | TAX  | M  | 1      | VAT or other tax rate                                  |
|     | SG35 | O  | 1      | Manufacturer   |
| 82  | NAD  | M  | 1      | Manufacturer   |
|     | SG35 | O  | 1      | Ship-to party  |
| 83  | NAD  | M  | 1      | Ship-to's name and address                             |
| 84  | LOC  | O  | 1      | Place of discharge                                     |
| 85  | LOC  | O  | 1      | Place of delivery or warehouse after discharge         |
|     | SG36 | O  | 4      | Ship-to's reference number(s)                          |
| 86  | RFF  | M  | 1      | Ship-to's reference number(s)                          |
|     | SG38 | O  | 5      | Ship-to's contact                                      |
| 87  | CTA  | M  | 1      | Contact information                                    |
| 88  | COM  | O  | 3      | Communication contact                                  |
|     | SG39 | O  | 10     | Allowances or charges                                  |
| 89  | ALC  | M  | 1      | Allowance/charge                                       |
| 90  | FTX  | O  | 1      | Allowance/charge description                           |
|     | SG41 | O  | 1      | Allowance/charge - percentage                          |
| 91  | PCD  | M  | 1      | Allowance/charge Percentage                            |

Tag = Tag; No. = consecutive segment number in the guide; MaxRep = maximum repetition; St = status (M=mandatory, C=conditional, R=required, O=optional, D=dependent, A=advised)

## Structure / content

| No. | Tag         | St | MaxRep | Content  |
|-----|-------------|----|--------|--|
|     | <b>SG42</b> | O  | 1      | Allowance/charge - monetary amount                           |
| 92  | <b>MOA</b>  | M  | 1      | Allowance/charge - monetary amount                           |
|     | <b>SG43</b> | O  | 1      | Price allowance / charge rate per unit                       |
| 93  | <b>RTE</b>  | M  | 1      | Allowance / charge rate per unit                             |
|     | <b>SG47</b> | O  | 1      | Terms of delivery  |
| 94  | <b>TOD</b>  | M  | 1      | Terms of delivery - incoterms                                |
| 95  | <b>LOC</b>  | O  | 1      | Place/location identification                                |
|     | <b>SG49</b> | O  | 999    | Delivery history detail information                          |
| 96  | <b>GEI</b>  | M  | 1      | Trigger segment  |
| 97  | <b>GIR</b>  | R  | 5      | Vehicle specific data  |
| 98  | <b>LOC</b>  | O  | 1      | Internal place of destination                                |
| 99  | <b>QTY</b>  | O  | 1      | Invoiced Quantity  |
| 100 | <b>UNS</b>  | M  | 1      | Section control  |
| 101 | <b>CNT</b>  | O  | 1      | Control total  |
|     | <b>SG50</b> | M  | 3      | Invoice amount   |
| 102 | <b>MOA</b>  | M  | 1      | Invoice amount   |
|     | <b>SG50</b> | R  | 3      | Amount excluding VAT   |
| 103 | <b>MOA</b>  | M  | 1      | Total invoice amount excluding taxes                         |
|     | <b>SG50</b> | D  | 3      | Total taxable amount   |
| 104 | <b>MOA</b>  | M  | 1      | Total taxable amount   |
|     | <b>SG50</b> | R  | 3      | Total tax amount   |
| 105 | <b>MOA</b>  | M  | 1      | Total tax amount   |
|     | <b>SG50</b> | D  | 3      | Total line items amount                                      |
| 106 | <b>MOA</b>  | M  | 1      | Total line items amount (sum of net line items amounts)      |
|     | <b>SG50</b> | D  | 1      | Total invoice additional amount                              |
| 107 | <b>MOA</b>  | M  | 1      | Total invoice additional amount                              |
|     | <b>SG50</b> | D  | 1      | Total invoice allowance amount                               |
| 108 | <b>MOA</b>  | M  | 1      | Total invoice allowance amount                               |
|     | <b>SG50</b> | O  | 3      | Payment discount amount                                      |
| 109 | <b>MOA</b>  | M  | 1      | Payment discount amount in invoice, home or payment currency |
|     | <b>SG50</b> | O  | 3      | Prepaid amount   |
| 110 | <b>MOA</b>  | M  | 1      | Prepaid amount   |
|     | <b>SG51</b> | D  | 1      | Reference to prepayment invoice                              |
| 111 | <b>RFF</b>  | M  | 1      | Reference to prepayment invoice                              |
| 112 | <b>DTM</b>  | O  | 1      | Date of prepayment invoice                                   |
|     | <b>SG50</b> | D  | 3      | Amount to be paid  |
| 113 | <b>MOA</b>  | M  | 1      | Amount to be paid  |
|     | <b>SG50</b> | D  | 2      | Non-taxable / exemption amount                               |
| 114 | <b>MOA</b>  | M  | 1      | Non-taxable or exemption amount                              |
|     | <b>SG52</b> | O  | 10     | Tax rates and amounts  |
| 115 | <b>TAX</b>  | M  | 1      | Tax type and rate  |
| 116 | <b>MOA</b>  | D  | 1      | Tax amount in invoice currency                               |
| 117 | <b>MOA</b>  | R  | 1      | Taxable amount in invoice currency                           |
|     | <b>SG53</b> | D  | 15     | Delivery costs   |

Tag = Tag; No. = consecutive segment number in the guide; MaxRep = maximum repetition; St = status (M=mandatory, C=conditional, R=required, O=optional, D=dependent, A=advised)



## Structure / content

| No. | Tag        | St | MaxRep | Content                 |
|-----|------------|----|--------|-------------------------|
| 118 | <b>ALC</b> | M  | 1      | Charge                  |
| 119 | <b>MOA</b> | R  | 1      | Charge amount           |
| 120 | <b>FTX</b> | O  | 1      | Charge description text |
| 121 | <b>UNT</b> | M  | 1      | Message trailer         |
| 122 | <b>UNZ</b> | M  | 1      | Interchange trailer     |

Tag = Tag; No. = consecutive segment number in the guide; MaxRep = maximum repetition; St = status (M=mandatory, C=conditional, R=required, O=optional, D=dependent, A=advised)

## Segments

| No. | Tag        | St | MaxRep | Name                  |
|-----|------------|----|--------|-----------------------|
| 1   | <b>UNA</b> | O  | 1      | Service string advice |

| Standard |                                  | Implementation |        |    |                       |
|----------|----------------------------------|----------------|--------|----|-----------------------|
| Tag      | Name                             | St             | Format | St | Format Usage / remark |
| UNA1     | Component data element separator | M              | an1    | M  | an1 Colon             |
| UNA2     | Data element separator           | M              | an1    | M  | an1 Plus sign         |
| UNA3     | Decimal notation                 | M              | an1    | M  | an1 Point             |
| UNA4     | Release indicator                | M              | an1    | M  | an1 Question mark     |
| UNA5     | Reserved for future use          | M              | an1    | M  | an1 Blank             |
| UNA6     | Segment terminator               | M              | an1    | M  | an1 Apostrophe        |

Sample segment:

**UNA: + . ? ' '**

Tag = tag; No. = consecutive segment number in the guide; MaxRep = maximum repetition; St = status (M=mandatory, C=conditional, R=required, O=optional, D=dependent, A=advised)

## Segments

| No. | Tag        | St | MaxRep | Name               |
|-----|------------|----|--------|--------------------|
| 2   | <b>UNB</b> | M  | 1      | Interchange header |

| Standard |  | Implementation |        |   |
|----------|--|----------------|--------|---|
| Tag      | Name                                     | St             | Format | Usage / remark  |
| S001     | Syntax identifier                        | M              |        | M   |
| 0001     | Syntax identifier                        | M              | a4     | M a4<br><b>UNOA</b> UN/ECE level A<br><b>UNOB</b> UN/ECE level B<br><b>UNOC</b> UN/ECE level C<br><b>UNOD</b> UN/ECE level D                    |
| 0002     | Syntax version number                    | M              | n1     | M n1<br><b>2</b> Version 2<br><b>3</b> Version 3  |
| S002     | Interchange sender                       | M              |        | M   |
| 0004     | Sender identification                    | M              | an..35 | M an..35 Unique ID of the sender in the data transmission network or system.  |
| 0007     | Partner identification code qualifier    | C              | an..4  | O an..4   |
| 0008     | Address for reverse routing              | C              | an..14 | O an..14 Address of an application or internal system at sender's site to which answer messages should be routed.                               |
| S003     | Interchange recipient                    | M              |        | M   |
| 0010     | Recipient identification                 | M              | an..35 | M an..35 Unique ID of the receiver in the data transmission network or system.  |
| 0007     | Partner identification code qualifier    | C              | an..4  | O an..4   |
| 0014     | Routing address                          | C              | an..14 | O an..14 Address of an application or internal system at recipient's site.  |
| S004     | Date/time of preparation                 | M              |        | M   |
| 0017     | Date of preparation                      | M              | n6     | M n6 Format YYMMDD  |
| 0019     | Time of preparation                      | M              | n4     | M n4 Format HHMM  |
| 0020     | Interchange control reference            | M              | an..14 | M an..14 Unique ID of an interchange.   |
| S005     | Recipient's reference, password          | C              |        | N Not used  |
| 0022     | Recipient's reference/password           | M              | an..14 | N Not used  |
| 0025     | Recipient's reference/password qualifier | C              | an2    | N Not used  |
| 0026     | Application reference                    | C              | an..14 | N Not used  |
| 0029     | Processing priority code                 | C              | a1     | N Not used  |
| 0031     | Acknowledgement request                  | C              | n1     | N Not used  |
| 0032     | Communications agreement ID              | C              | an..35 | N Not used  |
| 0035     | Test indicator                           | C              | n1     | O n1 Only to be used, if the interchange is for test purposes. Omit this data element for valid interchanges.<br><b>1</b> Interchange is a test |

Sample segment:

**UNB+UNOC : 3+OD012345 : 59 : 123+987654321 : 1 : X+071205 : 1446+144659+++++1 '**

Tag = tag; No. = consecutive segment number in the guide; MaxRep = maximum repetition; St = status (M=mandatory, C=conditional, R=required, O=optional, D=dependent, A=advised)

## Segments

| No. | Tag        | St | MaxRep | Name           |
|-----|------------|----|--------|----------------|
| 3   | <b>UNH</b> | M  | 1      | Message header |

| Standard |                           | Implementation |        |    |   |
|----------|---------------------------|----------------|--------|----|---|
| Tag      | Name                      | St             | Format | St | Format Usage / remark   |
| 0062     | Message reference number  | M              | an..14 | M  | an..14 Message reference number - unique number to identify the message within the interchange, usually a consecutive number starting with 1.   |
| S009     | Message identifier        | M              |        | M  |   |
| 0065     | Message type              | M              | an..6  | M  | an..6<br><b>INVOIC</b> Invoice message  |
| 0052     | Message version number    | M              | an..3  | M  | an..3<br><b>D</b> Draft version/UN/EDIFACT Directory  |
| 0054     | Message release number    | M              | an..3  | M  | an..3<br><b>07A</b> Release 2007 - A  |
| 0051     | Controlling agency        | M              | an..2  | M  | an..2<br><b>UN</b> UN/CEFACT  |
| 0057     | Association assigned code | C              | an..6  | R  | an6 Identification of the subset release, assigned by the responsible organisation (Odette or member organisation). The code assigned by VDA should be used for a more exact specification of the applied subset.<br><b>GAVA24</b> VDA INVOIC Version 2.4<br>JAI016 |
| 0068     | Common access reference   | C              | an..35 | N  | Not used  |
| S010     | Status of the transfer    | C              |        | N  | Not used  |
| 0070     | Sequence of transfers     | M              | n..2   | N  | Not used  |
| 0073     | First and last transfer   | C              | a1     | N  | Not used  |

Sample segment:

**UNH+1+INVOIC:D:07A:UN:GAVA24'**

Tag = tag; No. = consecutive segment number in the guide; MaxRep = maximum repetition; St = status (M=mandatory, C=conditional, R=required, O=optional, D=dependent, A=advised)

# Segments

| No. | Tag        | St | MaxRep | Name                               |
|-----|------------|----|--------|------------------------------------|
| 4   | <b>BGM</b> | M  | 1      | Type of invoice and invoice number |

| Standard |                                   |    | Implementation |    |  |
|----------|-----------------------------------|----|----------------|----|--|
| Tag      | Name                              | St | Format         | St | Format Usage / remark  |
| C002     | Document/message name             | C  |                | R  |  |
| 1001     | Document name code                | C  | an..3          | R  | an..3 The following explanations are intended to support a unique usage of the different message types:<br>Table of transaction types and their results<br>Code specifying the type or subtype of the business document.<br>Use UN/EDIFACT code list 1001 and JAI code list JAI001<br><b>295</b> Price variation invoice<br><b>296</b> Credit note for price variation<br><b>325</b> Proforma invoice<br><b>326</b> Partial invoice<br><b>380</b> Commercial invoice<br><b>381</b> Credit note<br><b>383</b> Debit note<br><b>386</b> Prepayment invoice<br><b>389</b> Self-billed invoice<br><b>395</b> Consignment invoice<br><b>396</b> Factored credit note<br><b>393</b> Consignment Invoice Selfbilled<br>JAI001<br><b>402</b> Credit Note issued by the Buyer Selfbilled Invoice<br>JAI001<br><b>403</b> Debit Note issued by the Buyer Selfbilled Invoice<br>JAI001<br><b>407</b> Freight invoice, selfbilled<br>JAI001<br><b>413</b> Information on price variation<br>JAI001 |
| 1131     | Code list identification code     | C  | an..17         | N  | Not used   |
| 3055     | Code list responsible agency code | C  | an..3          | O  | an..3 Agency responsible for code list / identifier maintenance<br><b>272</b> Joint Automotive Industry agency   |
| 1000     | Document name                     | C  | an..35         | O  | an..35 Name of the document in text  |
| C106     | Document/message identification   | C  |                | R  |  |
| 1004     | Document identifier               | C  | an..35         | R  | an..16 Invoice number  |
| 1056     | Version identifier                | C  | an..9          | N  | Not used   |
| 1060     | Revision identifier               | C  | an..6          | N  | Not used   |
| 1225     | Message function code             | C  | an..3          | O  | an..3 Code indicating the function of the document.<br><b>9</b> Original<br><b>7</b> Duplicate   |
| 4343     | Response type code                | C  | an..3          | N  | Not used   |

### Explanation regarding individual invoice types

| Transaction     | Seller | Buyer  |
|-----------------|--------|--------|
| Invoice S2B     | Credit | Debit  |
| Credit Note S2B | Debit  | Credit |
| Debit Note S2B  | Credit | Debit  |

Tag = tag; No. = consecutive segment number in the guide; MaxRep = maximum repetition; St = status (M=mandatory, C=conditional, R=required, O=optional, D=dependent, A=advised)

## Segments

SBI Invoice B2S      Credit Debit  
 SBI Credit Note B2S Debit    Credit  
 SBI Debit Note B2S    Credit    Debit

SBI - Self billed invoice  
 B2S - Buyer(sender) to seller(receiver)  
 S2B - Seller(sender) to buyer(receiver)

It is strongly recommended to use the codes in DE 1001 according to the following table:

| Transaction     | Message type(s)     |
|-----------------|---------------------|
| Invoice S2B     | 325,326,380,386,395 |
| Credit Note S2B | 381 (or B2S)        |
| Debit Note S2B  | 383 (or B2S)        |

Credit note and debit note are related to an invoice S2B.

SBI Invoice B2S      389,393,407  
 SBI Credit Note B2S 295,402  
 SBI Debit Note B2S 295,403  
 Credit note and debit note are related to an SBI invoice.

Price correction in self-billed invoice scenarios (295): positive amounts are used for price increase (as a consequence, a credit is sent to the supplier) negative amounts are used for decreased prices ( as a consequence, a debit note is sent to the supplier).

In case of return shipments the qualifier 402 has to be used (customers issue a credit note for themselves)

Price correction in the traditional invoicing scenario (413):

If the supplier / invoice issuer does not send a credit note or debit note (381 and 382) the buyer may require a price correction once the conditions for such a transaction are valid. It is, however, not a valid invoice document in compliance with VAT law. It has merely an information status and requires additional action at supplier's side (generation of a credit note or debit note). Whether these messages shall be sent to the customer or solely used for the booking procedures at supplier's side depends on bi-lateral agreements.

The qualifier for such a request for price correction is 413.

JAlxxx - JAIF code - to be used in conjunction with code 272 in data element 3055.

Sample segment:

**BGM+325 : : 272 : Rechnung+Rechnungsnummer+9 '**

Tag = tag; No. = consecutive segment number in the guide; MaxRep = maximum repetition; St = status (M=mandatory, C=conditional, R=required, O=optional, D=dependent, A=advised)

## Segments

| No. | Tag        | St | MaxRep | Name         |
|-----|------------|----|--------|--------------|
| 5   | <b>DTM</b> | M  | 1      | Message date |

| Standard |  |           | Implementation |  |  |
|----------|--|-----------|----------------|--|--|
| Tag      | Name   | St Format | St Format      | Usage / remark   |  |
| C507     | Date/time/period                               | M         | M              |  |  |
| 2005     | Date or time or period function code qualifier | M an..3   | M an..3        | The message date is perceived as synonym also for the invoice date.<br><b>137</b> Document issue date time |  |
| 2380     | Date or time or period text                    | C an..35  | R n8           | Date of the invoice document   |  |
| 2379     | Date or time or period format code             | C an..3   | O an..3        | <b>102</b> CCYYMMDD  |  |

Sample segment:

**DTM+137:20100308:102'**

Tag = tag; No. = consecutive segment number in the guide; MaxRep = maximum repetition; St = status (M=mandatory, C=conditional, R=required, O=optional, D=dependent, A=advised)

## Segments

| No. | Tag        | St | MaxRep | Name                                |
|-----|------------|----|--------|-------------------------------------|
| 6   | <b>DTM</b> | R  | 1      | Delivery or Service Completion Date |

| Standard |  | Implementation |        |  |
|----------|--|----------------|--------|--|
| Tag      | Name   | St             | Format | Usage / remark   |
| C507     | Date/time/period                               | M              | M      |  |
| 2005     | Date or time or period function code qualifier | M              | an..3  | M an..3<br><b>1</b> Service completion date/time, actual |
| 2380     | Date or time or period text                    | C              | an..35 | R n..12 Service completion date                          |
| 2379     | Date or time or period format code             | C              | an..3  | R an..3<br><b>102</b> CCYYMMDD                           |

In Europe, the invoice must contain the delivery or service date that is relevant for taxation purposes. Even If delivery dates or periods are stated on line item level, this date has to be transmitted. It has to reflect the latest delivery date or the latest end of a period. The same applies, if an invoicing period is stated on header level.

If an invoice contains line items with different tax rates for the same tax type (for instance the standard tax rate increases from 19% in month A to 21% in month B and the invoice covers line items of month A and B) then the allocation of tax amounts related to the different tax rates in the summary section and their allocation to different tax periods in the accounting system has to be done independently of the delivery or service completion date in the header.

Sample segment:

**DTM+1 : 20100308 : 102 '**

Tag = tag; No. = consecutive segment number in the guide; MaxRep = maximum repetition; St = status (M=mandatory, C=conditional, R=required, O=optional, D=dependent, A=advised)



## Segments

| No. | Tag        | St | MaxRep | Name                                 |
|-----|------------|----|--------|--------------------------------------|
| 7   | <b>DTM</b> | O  | 1      | Delivery /service horizon start date |

| Standard |  | Implementation |        |  |
|----------|--|----------------|--------|--|
| Tag      | Name   | St             | Format | Usage / remark   |
| C507     | Date/time/period                               | M              | M      |  |
| 2005     | Date or time or period function code qualifier | M              | an..3  | <b>158</b> Horizon start date                                    |
| 2380     | Date or time or period text                    | C              | an..35 | R n..12 Horizon start date: start date of a given invoice period |
| 2379     | Date or time or period format code             | C              | an..3  | R an..3 <b>102</b> CCYYMMDD                                      |

Example for using horizon data:

Service invoice January - March 2018:

Header level:

Service completion Date: 31.03.1956

(VAT period March 2018)

Invoice horizon:

Start: DTM+167 01.01.2018

End : DTM+168 31.03.2018

Line 1:

Fees for January

Start: DTM+167 01.01.2018

End: DTM+168 31.01.2018

Line 2:

Fees for February

Start: DTM+167 01.02.2018

End: DTM+168 28.02.2018

Line 3:

Fees for March

Start: DTM+167 01.03.2018

End: DTM+168 31.03.2018

Sample segment:

**DTM+158 : 20100308 : 102 '**

Tag = tag; No. = consecutive segment number in the guide; MaxRep = maximum repetition; St = status (M=mandatory, C=conditional, R=required, O=optional, D=dependent, A=advised)

## Segments

| No. | Tag        | St | MaxRep | Name                                |
|-----|------------|----|--------|-------------------------------------|
| 8   | <b>DTM</b> | O  | 1      | Delivery / service horizon end date |

| Standard |  |           | Implementation |  |  |
|----------|--|-----------|----------------|--|--|
| Tag      | Name   | St Format | St Format      | Usage / remark                                       |  |
| C507     | Date/time/period                               | M         | M              |  |  |
| 2005     | Date or time or period function code qualifier | M an..3   | M an..3        | <b>159</b> Horizon end date                          |  |
| 2380     | Date or time or period text                    | C an..35  | R n8           | Horizon end date: end date of a given invoice period |  |
| 2379     | Date or time or period format code             | C an..3   | R an..3        | <b>102</b> CCYYMMDD                                  |  |

Sample segment:

**DTM+159:20100308:102'**

Tag = tag; No. = consecutive segment number in the guide; MaxRep = maximum repetition; St = status (M=mandatory, C=conditional, R=required, O=optional, D=dependent, A=advised)

## Segments

| No. | Tag        | St | MaxRep | Name                 |
|-----|------------|----|--------|----------------------|
| 9   | <b>FTX</b> | O  | 99     | Legal info free text |

| Standard |                                   | Implementation |         |    |  |
|----------|-----------------------------------|----------------|---------|----|--|
| Tag      | Name                              | St             | Format  | St | Format Usage / remark  |
| 4451     | Text subject code qualifier       | M              | an..3   | M  | an..3 TXD is to be used for declaring the reason for tax exemption, if valid for all line items.<br>REG is to be used for information required by legislation (e.g. members of the board etc.).<br><b>REG</b> Regulatory information<br><b>TXD</b> Tax declaration |
| 4453     | Free text function code           | C              | an..3   | N  | Not used   |
| C107     | Text reference                    | C              |         | N  | Not used   |
| 4441     | Free text description code        | M              | an..17  | N  | Not used   |
| 1131     | Code list identification code     | C              | an..17  | N  | Not used   |
| 3055     | Code list responsible agency code | C              | an..3   | N  | Not used   |
| C108     | Text literal                      | C              |         | R  |  |
| 4440     | Free text                         | M              | an..512 | M  | an..256 A line of plain, non-structured text information.  |
| 4440     | Free text                         | C              | an..512 | O  | an..256 see 4440 # 1   |
| 4440     | Free text                         | C              | an..512 | O  | an..256 see 4440 # 1   |
| 4440     | Free text                         | C              | an..512 | O  | an..256 see 4440 # 1   |
| 4440     | Free text                         | C              | an..512 | O  | an..256 see 4440 # 1   |
| 3453     | Language name code                | C              | an..3   | O  | an..3 Code specifying the language name. Use ISO 639-1988  |
| 4447     | Free text format code             | C              | an..3   | N  | Not used   |

Free text containing information or statements as required by legal environment.  
The total number of all FTX segments shall not exceed 99.  
Sample segment:

**FTX+REG+++Text1:Text2:Text3:Text4:Text5+de'**

Tag = tag; No. = consecutive segment number in the guide; MaxRep = maximum repetition; St = status (M=mandatory, C=conditional, R=required, O=optional, D=dependent, A=advised)

## Segments

| No. | Tag        | St | MaxRep | Name                           |
|-----|------------|----|--------|--------------------------------|
| 10  | <b>FTX</b> | O  | 99     | Payment instructions free text |

| Standard |                                   | Implementation |         |   |
|----------|-----------------------------------|----------------|---------|---|
| Tag      | Name                              | St             | Format  | Usage / remark  |
| 4451     | Text subject code qualifier       | M              | an..3   | M an..3<br><b>AAB</b> Payment term                          |
| 4453     | Free text function code           | C              | an..3   | N Not used  |
| C107     | Text reference                    | C              |         | N Not used  |
| 4441     | Free text description code        | M              | an..17  | N Not used  |
| 1131     | Code list identification code     | C              | an..17  | N Not used  |
| 3055     | Code list responsible agency code | C              | an..3   | N Not used  |
| C108     | Text literal                      | C              |         | R   |
| 4440     | Free text                         | M              | an..512 | M an..256 Terms of payment additional information           |
| 4440     | Free text                         | C              | an..512 | O an..256 see 4440 # 1                                      |
| 4440     | Free text                         | C              | an..512 | O an..256 see 4440 # 1                                      |
| 4440     | Free text                         | C              | an..512 | O an..256 see 4440 # 1                                      |
| 4440     | Free text                         | C              | an..512 | C an..256 see 4440 # 1                                      |
| 3453     | Language name code                | C              | an..3   | O an..3 Code specifying the language name. Use ISO 639-1988 |
| 4447     | Free text format code             | C              | an..3   | N Not used  |

Additional description of payment terms with free text.  
 The total number of all FTX segments shall not exceed 99.  
 Sample segment:

**FTX+AAB+++Zahlungsbedingungen1 : Zahlungsbedingungen2 : Zahlungsbedingungen3 : Zahlungsbedingungen4 : Zahlungsbedingungen5+de '**

Tag = tag; No. = consecutive segment number in the guide; MaxRep = maximum repetition; St = status (M=mandatory, C=conditional, R=required, O=optional, D=dependent, A=advised)

## Segments

| No. | Tag        | St | MaxRep | Name                          |
|-----|------------|----|--------|-------------------------------|
| 11  | <b>FTX</b> | O  | 99     | General information free text |

| Standard |                                   | Implementation |         |   |
|----------|-----------------------------------|----------------|---------|---|
| Tag      | Name                              | St             | Format  | Usage / remark  |
| 4451     | Text subject code qualifier       | M              | an..3   | M an..3<br><b>AAI</b> General information                   |
| 4453     | Free text function code           | C              | an..3   | N Not used  |
| C107     | Text reference                    | C              |         | N Not used  |
| 4441     | Free text description code        | M              | an..17  | N Not used  |
| 1131     | Code list identification code     | C              | an..17  | N Not used  |
| 3055     | Code list responsible agency code | C              | an..3   | N Not used  |
| C108     | Text literal                      | C              |         | R   |
| 4440     | Free text                         | M              | an..512 | M an..256 A line of plain, non-structured text information. |
| 4440     | Free text                         | C              | an..512 | O an..256 see 4440 # 1                                      |
| 4440     | Free text                         | C              | an..512 | O an..256 see 4440 # 1                                      |
| 4440     | Free text                         | C              | an..512 | O an..256 see 4440 # 1                                      |
| 4440     | Free text                         | C              | an..512 | O an..256 see 4440 # 1                                      |
| 3453     | Language name code                | C              | an..3   | O an..3 Code specifying the language name. Use ISO 639-1988 |
| 4447     | Free text format code             | C              | an..3   | N Not used  |

## General information text

The total number of all FTX segments shall not exceed 99.

Sample segment:

**FTX+AAI+++Allgemeine Informationen1:Allgemeine Informationen2:Allgemeine I  
nformationen3:Allgemeine Informationen4:Allgemeine Informationen5+de'**

Tag = tag; No. = consecutive segment number in the guide; MaxRep = maximum repetition; St = status (M=mandatory, C=conditional, R=required, O=optional, D=dependent, A=advised)

## Segments

| No. | Tag        | St | MaxRep | Name                   |
|-----|------------|----|--------|------------------------|
| 12  | <b>FTX</b> | O  | 1      | Preference information |

| Standard |                                   | Implementation |         |   |
|----------|-----------------------------------|----------------|---------|---|
| Tag      | Name                              | St             | Format  | Usage / remark  |
| 4451     | Text subject code qualifier       | M              | an..3   | M an..3<br><b>CUS</b> Customs declaration information                     |
| 4453     | Free text function code           | C              | an..3   | N Not used  |
| C107     | Text reference                    | C              |         | N Not used  |
| 4441     | Free text description code        | M              | an..17  | N Not used  |
| 1131     | Code list identification code     | C              | an..17  | N Not used  |
| 3055     | Code list responsible agency code | C              | an..3   | N Not used  |
| C108     | Text literal                      | C              |         | R   |
| 4440     | Free text                         | M              | an..512 | M an..256 Preference text according to the applicable legal requirements. |
| 4440     | Free text                         | C              | an..512 | O an..256 see 4440 # 1  |
| 4440     | Free text                         | C              | an..512 | O an..256 see 4440 # 1  |
| 4440     | Free text                         | C              | an..512 | O an..256 see 4440 # 1  |
| 4440     | Free text                         | C              | an..512 | O an..256 see 4440 # 1  |
| 3453     | Language name code                | C              | an..3   | O an..3 Code specifying the language name. Use ISO 639-1988               |
| 4447     | Free text format code             | C              | an..3   | N Not used  |

The total number of all FTX segments shall not exceed 99.

This segment has to be used if at least parts of the invoiced goods are subject to customs preferences. In this case, the FTX segment contains the text as legally required to declare the preferences status. In the ALI segment on line item level an indicator in DE 9213 has to be set to 'Y' (yes) to indicate that the preference applies to this line item. Otherwise a 'N' (no) has to be shown.

Sample segment:

**FTX+CUS+++Text Präferenzklärung1:Text Präferenzklärung2:Text Präferenzklärung3:Text Präferenzklärung4:Text Präferenzklärung5+de'**

Tag = tag; No. = consecutive segment number in the guide; MaxRep = maximum repetition; St = status (M=mandatory, C=conditional, R=required, O=optional, D=dependent, A=advised)

## Segments

| No. | Tag        | St | MaxRep | Name                 |
|-----|------------|----|--------|----------------------|
| 13  | <b>GEI</b> | O  | 1      | Processing indicator |

| Standard |                                       |    | Implementation |    |  |
|----------|---------------------------------------|----|----------------|----|--|
| Tag      | Name                                  | St | Format         | St | Format Usage / remark  |
| 9649     | Processing information code qualifier | M  | an..3          | M  | an..3 Codes have been defined by GIP in JAI013 code list - to be used with code 272 in DE 3055.<br>Used to categorize the invoicing domain (production, other materials, services)<br>(1) JAIF Code - to be used together with code 272 in data element 3055.<br><b>PM</b> Production material<br>JAI013<br><b>OM</b> Other material<br>JAI013<br><b>S</b> Service<br>JAI013<br><b>LC</b> Logistics cost<br>JAI013 |
| C012     | Processing indicator                  | C  |                | O  |  |
| 7365     | Processing indicator description code | C  | an..3          | N  | Not used   |
| 1131     | Code list identification code         | C  | an..17         | N  | Not used   |
| 3055     | Code list responsible agency code     | C  | an..3          | R  | an..3<br><b>272</b> Joint Automotive Industry agency   |
| 7364     | Processing indicator description      | C  | an..35         | N  | Not used   |
| 7187     | Process type description code         | C  | an..17         | N  | Not used   |

This segment can be used to distinguish between production and non-production item invoices.

Sample segment:

**GEI+PM+ : : 272 '**

Tag = tag; No. = consecutive segment number in the guide; MaxRep = maximum repetition; St = status (M=mandatory, C=conditional, R=required, O=optional, D=dependent, A=advised)

## Segments

| No. | Tag | St | MaxRep | Name             |
|-----|-----|----|--------|------------------|
|     | SG1 | O  | 5      | Other Reference  |
| 14  | RFF | M  | 1      | Reference number |

| Standard |                          | Implementation |        |  |
|----------|--------------------------|----------------|--------|--|
| Tag      | Name                     | St             | Format | Usage / remark   |
| C506     | Reference                | M              |        | M  |
| 1153     | Reference code qualifier | M              | an..3  | M an..3<br>Use qualifier IV only together with credit notes or debit notes, which are related to previous invoice documents/messages.<br>Qualifier PQ: denominates a reference, which has to be given on the payment of the invoice.<br>Qualifier ANJ: used to identify official registration or authorisation number, assigned to the invoice by tax authorities, e.g. in Mexico the UUID.<br>Qualifier AST: used to transmit a cumulation number (various self billed invoices are grouped together, e.g. on a daily basis, and the subsequent remittance advice contains only the cumulation number as a reference).<br>Qualifier AVS: Mandate reference is to be used if the invoice amount is charged by SEPA direct debit and the mandatory announcement of direct debit is already transmitted in the invoice.<br>ACD - official German routing ID assigned to customer entities belonging to public procurement<br>Type of reference, coded<br><b>AGK</b> Application reference number<br><b>ACD</b> Additional reference number<br><b>ANJ</b> Authorization number<br><b>AST</b> Group reference number<br><b>AVS</b> Mandate Reference<br><b>IV</b> Invoice document identifier<br><b>PQ</b> Payment reference |
| 1154     | Reference identifier     | C              | an..70 | R an..70 Reference number  |
| 1156     | Document line identifier | C              | an..6  | N Not used   |
| 1056     | Version identifier       | C              | an..9  | N Not used   |
| 1060     | Revision identifier      | C              | an..6  | N Not used   |

Sample segment:

**RFF+AGK:Sonstige Referenzen'**

Tag = tag; No. = consecutive segment number in the guide; MaxRep = maximum repetition; St = status (M=mandatory, C=conditional, R=required, O=optional, D=dependent, A=advised)



## Segments

| No. | Tag | St | MaxRep | Name                                  |
|-----|-----|----|--------|---------------------------------------|
|     | SG2 | R  | 1      | Buyer / Invoicee                      |
| 15  | NAD | M  | 1      | Buyer's / invoicee's name and address |

| Standard |   |           | Implementation |  |  |
|----------|---|-----------|----------------|--|--|
| Tag      | Name  | St Format | St Format      | Usage / remark   |  |
| 3035     | Party function code qualifier                   | M an..3   | M an..3        | <b>BY</b> Buyer  |  |
| C082     | Party identification details                    | C         | R              | All partners listed in the invoicing message are to be transmitted with the complete name and address information. Partner ID is an additional information for enabling the automated processing and matching to internal records.   |  |
| 3039     | Party identifier                                | M an..35  | M an..35       | Unique identification of a party by an ID (customer number, supplier number, DUNS or similar).   |  |
| 1131     | Code list identification code                   | C an..17  | N              | Not used   |  |
| 3055     | Code list responsible agency code               | C an..3   | R an..3        | Agency responsible for code list / identifier maintenance<br><b>10</b> ODETTE<br><b>16</b> US, D&B (Dun & Bradstreet Corporation)<br><b>91</b> Assigned by seller or seller's agent<br><b>92</b> Assigned by buyer or buyer's agent  |  |
| C058     | Name and address                                | C         | N              | Not used   |  |
| 3124     | Name and address description                    | M an..35  | M an..35       |  |  |
| 3124     | Name and address description                    | C an..35  | N              | Not used   |  |
| 3124     | Name and address description                    | C an..35  | N              | Not used   |  |
| 3124     | Name and address description                    | C an..35  | N              | Not used   |  |
| 3124     | Name and address description                    | C an..35  | N              | Not used   |  |
| C080     | Party name                                      | C         | R              |  |  |
| 3036     | Party name                                      | M an..35  | M an..35       | Single text line for specification of a name   |  |
| 3036     | Party name                                      | C an..35  | O an..35       | see 3036 # 1   |  |
| 3036     | Party name                                      | C an..35  | O an..35       | see 3036 # 1   |  |
| 3036     | Party name                                      | C an..35  | O an..35       | see 3036 # 1   |  |
| 3036     | Party name                                      | C an..35  | N              | Not used   |  |
| 3045     | Party name format code                          | C an..3   | N              | Not used   |  |
| C059     | Street  | C         | O              |  |  |
| 3042     | Street and number or post office box identifier | M an..35  | M an..35       | The name that identifies the location of a house or building: usually within a street as part of an address.<br>Remark: if the German VAT legislation is applicable to the invoice, the actual street address must be transmitted. The transmission of only a post box number is not sufficient! |  |
| 3042     | Street and number or post office box identifier | C an..35  | O an..35       | see 3042 # 1   |  |
| 3042     | Street and number or post office box identifier | C an..35  | N              | Not used   |  |
| 3042     | Street and number or post office box identifier | C an..35  | N              | Not used   |  |
| 3164     | City name                                       | C an..35  | R an..35       | The name of the city, town, or village of this address.  |  |

Tag = tag; No. = consecutive segment number in the guide; MaxRep = maximum repetition; St = status (M=mandatory, C=conditional, R=required, O=optional, D=dependent, A=advised)

## Segments

| Standard |                                   | Implementation |        |   |
|----------|-----------------------------------|----------------|--------|---|
| Tag      | Name                              | St             | Format | Usage / remark  |
| C819     | Country subdivision details       | C              |        | Not used  |
| 3229     | Country subdivision identifier    | C              | an..9  | C an..9   |
| 1131     | Code list identification code     | C              | an..17 | Not used  |
| 3055     | Code list responsible agency code | C              | an..3  | Not used  |
| 3228     | Country subdivision name          | C              | an..70 | Not used  |
| 3251     | Postal identification code        | C              | an..17 | R an..17 The identifier for one or more properties according to the postal service of that country; a group of letters and/or numbers added to the postal address to assist in the sorting of mail. |
| 3207     | Country identifier                | C              | an..3  | R a2 Provides the country part of an address using a code. Use ISO3166 two alpha code.  |

Party to whom merchandise and/or service is sold.

In the context of this recommendation, this is also the invoice receiver (invoicee) if there is no invoicee separately specified.

Sample segment:

**NAD+BY+KaeferIdentifier : : 91++Name1 : Name2 : Name3 : Name4+Strasse1 : Strasse2+Or  
t++12345+DE '**

Tag = tag; No. = consecutive segment number in the guide; MaxRep = maximum repetition; St = status (M=mandatory, C=conditional, R=required, O=optional, D=dependent, A=advised)

## Segments

| No. | Tag        | St | MaxRep | Name                                     |
|-----|------------|----|--------|--|
|     | <b>SG3</b> | D  | 5      | Buyer's / invoicee's reference number(s) |
| 16  | <b>RFF</b> | M  | 1      | Reference number(s)                      |

| Standard |                          | Implementation |        |   |
|----------|--------------------------|----------------|--------|---|
| Tag      | Name                     | St             | Format | St Format Usage / remark  |
| C506     | Reference                | M              |        | M   |
| 1153     | Reference code qualifier | M              | an..3  | M an..3 ANK may be used to transmit the DUNS number in addition to customer or supplier number in the NAD segment. This is only necessary if both numbers have to be transmitted. If only the DUNS number is required, the the NAD DE 3019 shall be used.<br><b>ADE</b> Account number<br><b>ANK</b> Reference number assigned by third party<br><b>FC</b> Fiscal number<br><b>VA</b> VAT registration number<br><b>XA</b> Company/place registration number  |
| 1154     | Reference identifier     | C              | an..70 | R an..35 For 1153=ADE: The account ID of a party, allocated by a trading partner for the debits or credits account used within the internal information processing and financial system. There is not always a one to one relationship between this number and the party's identification number.<br>For 1153=FC: Tax payer's number. Number assigned to individual persons as well as to corporates by a public institution; this number is different from the VAT registration number.<br>For 1153=VA: Unique number assigned by the relevant tax authority to identify a party for use in relation to Value Added Tax (VAT).<br>For 1153=XA: Identifier of a company in the commercial registry<br>For 1153=ANK: DUNS number<br>To transmit the DUNS number in addition to customer number in the NAD segment. This is only necessary, if both numbers have to be transmitted. If only the DUNS number is required, the the NAD DE 3019 shall be used. |
| 1156     | Document line identifier | C              | an..6  | N Not used  |
| 1056     | Version identifier       | C              | an..9  | N Not used  |
| 1060     | Revision identifier      | C              | an..6  | N Not used  |

Regarding the necessity to reference the buyer's VAT or tax ID refer to national regulations.

Sample segment:

**RFF+ADE : 7656444 '**

Tag = tag; No. = consecutive segment number in the guide; MaxRep = maximum repetition; St = status (M=mandatory, C=conditional, R=required, O=optional, D=dependent, A=advised)

## Segments

| No. | Tag | St | MaxRep | Name                |
|-----|-----|----|--------|---------------------|
|     | SG5 | O  | 1      | Information contact |
| 17  | CTA | M  | 1      | Contact information |

| Standard |                       | Implementation |         |  |
|----------|-----------------------|----------------|---------|--|
| Tag      | Name                  | St             | Format  | St Format Usage / remark   |
| 3139     | Contact function code | C              | an..3   | R an..3<br><b>IC</b> Information contact   |
| C056     | Contact details       | C              |         | O  |
| 3413     | Contact identifier    | C              | an..17  | O an..17 Identifies the department or employee by a unique identifier other than their name when given as a contact. |
| 3412     | Contact name          | C              | an..256 | O an..35 Name of the contact person or department  |

Sample segment:

**CTA+IC+Abt-/Personal ID:Name Kontaktperson oder Abteilung'**

Tag = tag; No. = consecutive segment number in the guide; MaxRep = maximum repetition; St = status (M=mandatory, C=conditional, R=required, O=optional, D=dependent, A=advised)

## Segments

| No. | Tag        | St | MaxRep | Name                  |
|-----|------------|----|--------|-----------------------|
|     | <b>SG5</b> | O  | 1      | Information contact   |
| 18  | <b>COM</b> | O  | 4      | Communication contact |

| Standard |                                  | Implementation |         |   |
|----------|----------------------------------|----------------|---------|---|
| Tag      | Name                             | St             | Format  | Usage / remark  |
| C076     | Communication contact            | M              | M       |   |
| 3148     | Communication address identifier | M              | an..512 | M an..100 Buyer's Communication Number  |
| 3155     | Communication means type code    | M              | an..3   | M an..3<br><b>EM</b> Electronic mail<br><b>FX</b> Telefax<br><b>IM</b> Internal mail<br><b>TE</b> Telephone |

Sample segment:

**COM+00491234567890 : TE '**

Tag = tag; No. = consecutive segment number in the guide; MaxRep = maximum repetition; St = status (M=mandatory, C=conditional, R=required, O=optional, D=dependent, A=advised)

## Segments

| No. | Tag | St | MaxRep | Name                      |
|-----|-----|----|--------|---------------------------|
|     | SG5 | O  | 1      | Quality assurance contact |
| 19  | CTA | M  | 1      | Contact information       |

| Standard |                       | Implementation |         |  |
|----------|-----------------------|----------------|---------|--|
| Tag      | Name                  | St             | Format  | St Format Usage / remark   |
| 3139     | Contact function code | C              | an..3   | R an..3<br><b>QA</b> Quality assurance contact   |
| C056     | Contact details       | C              |         | O  |
| 3413     | Contact identifier    | C              | an..17  | O an..17 Identifies the department or employee by a unique identifier other than their name when given as a contact. |
| 3412     | Contact name          | C              | an..256 | O an..35 Name of the contact person or department  |

Sample segment:

**CTA+QA+Abt-/Personal ID:Name Kontaktperson oder Abteilung'**

Tag = tag; No. = consecutive segment number in the guide; MaxRep = maximum repetition; St = status (M=mandatory, C=conditional, R=required, O=optional, D=dependent, A=advised)

## Segments

| No. | Tag        | St | MaxRep | Name                      |
|-----|------------|----|--------|---------------------------|
|     | <b>SG5</b> | O  | 1      | Quality assurance contact |
| 20  | <b>COM</b> | O  | 4      | Communication contact     |

| Standard |                                  | Implementation |         |   |
|----------|----------------------------------|----------------|---------|---|
| Tag      | Name                             | St             | Format  | Usage / remark  |
| C076     | Communication contact            | M              | M       |   |
| 3148     | Communication address identifier | M              | an..512 | M an..100 Buyer's Communication Number  |
| 3155     | Communication means type code    | M              | an..3   | M an..3<br><b>EM</b> Electronic mail<br><b>FX</b> Telefax<br><b>IM</b> Internal mail<br><b>TE</b> Telephone |

Sample segment:

**COM+00491234567890 : TE '**

Tag = tag; No. = consecutive segment number in the guide; MaxRep = maximum repetition; St = status (M=mandatory, C=conditional, R=required, O=optional, D=dependent, A=advised)

## Segments

| No. | Tag | St | MaxRep | Name                                  |
|-----|-----|----|--------|---------------------------------------|
|     | SG2 | O  | 1      | Divergent Invoicee                    |
| 21  | NAD | M  | 1      | Divergent invoicee's name and address |

| Standard |   | Implementation |        |   |
|----------|---|----------------|--------|---|
| Tag      | Name  | St             | Format | Usage / remark  |
| 3035     | Party function code qualifier                   | M              | an..3  | M an..3<br><b>IV Invoicee</b>   |
| C082     | Party identification details                    | C              |        | O All partners listed in the invoicing message are to be transmitted with the complete name and address information. Partner ID is an additional information for enabling the automated processing and matching to internal records.        |
| 3039     | Party identifier                                | M              | an..35 | M an..35 Unique identification of a party by an ID (customer number, supplier number, DUNS or similar).   |
| 1131     | Code list identification code                   | C              | an..17 | N Not used  |
| 3055     | Code list responsible agency code               | C              | an..3  | R an..3 Agency responsible for code list / identifier maintenance<br><b>10</b> ODETTE<br><b>16</b> US, D&B (Dun & Bradstreet Corporation)<br><b>91</b> Assigned by seller or seller's agent<br><b>92</b> Assigned by buyer or buyer's agent |
| C058     | Name and address                                | C              |        | N Not used  |
| 3124     | Name and address description                    | M              | an..35 | N Not used  |
| 3124     | Name and address description                    | C              | an..35 | N Not used  |
| 3124     | Name and address description                    | C              | an..35 | N Not used  |
| 3124     | Name and address description                    | C              | an..35 | N Not used  |
| 3124     | Name and address description                    | C              | an..35 | N Not used  |
| C080     | Party name                                      | C              |        | R   |
| 3036     | Party name                                      | M              | an..35 | M an..35 Single text line for specification of a name   |
| 3036     | Party name                                      | C              | an..35 | O an..35 see 3036 # 1   |
| 3036     | Party name                                      | C              | an..35 | O an..35  |
| 3036     | Party name                                      | C              | an..35 | O an..35  |
| 3036     | Party name                                      | C              | an..35 | N Not used  |
| 3045     | Party name format code                          | C              | an..3  | N Not used  |
| C059     | Street  | C              |        | O   |
| 3042     | Street and number or post office box identifier | M              | an..35 | M an..35 The name that identifies the location of a house or building: usually within a street as part of an address.   |
| 3042     | Street and number or post office box identifier | C              | an..35 | O an..35 see 3042 # 1   |
| 3042     | Street and number or post office box identifier | C              | an..35 | N Not used  |
| 3042     | Street and number or post office box identifier | C              | an..35 | N Not used  |
| 3164     | City name                                       | C              | an..35 | R an..35 The name of the city, town, or village of this address.  |
| C819     | Country subdivision details                     | C              |        | N Not used  |
| 3229     | Country subdivision identifier                  | C              | an..9  | N Not used  |

Tag = tag; No. = consecutive segment number in the guide; MaxRep = maximum repetition; St = status (M=mandatory, C=conditional, R=required, O=optional, D=dependent, A=advised)



## Segments

| Standard |                                   | Implementation |        |    |   |
|----------|-----------------------------------|----------------|--------|----|---|
| Tag      | Name                              | St             | Format | St | Format Usage / remark   |
| 1131     | Code list identification code     | C              | an..17 | N  | Not used  |
| 3055     | Code list responsible agency code | C              | an..3  | N  | Not used  |
| 3228     | Country subdivision name          | C              | an..70 | N  | Not used  |
| 3251     | Postal identification code        | C              | an..17 | R  | an..17 The identifier for one or more properties according to the postal service of that country; a group of letters and/or numbers added to the postal address to assist in the sorting of mail. |
| 3207     | Country identifier                | C              | an..3  | R  | a2 Provides the country part of an address using a code. Use ISO3166 two alpha code.  |

Party to whom the invoice is sent. This segment is only to be used, if the invoicee differs from the buyer.

Sample segment:

**NAD+IV+RechnungsempfaengerIdentifier::92++Name1:Name2:Name3:Name4+Street1:Street2+City++12345+DE'**

Tag = tag; No. = consecutive segment number in the guide; MaxRep = maximum repetition; St = status (M=mandatory, C=conditional, R=required, O=optional, D=dependent, A=advised)

## Segments

| No. | Tag        | St | MaxRep | Name                       |
|-----|------------|----|--------|----------------------------|
|     | <b>SG2</b> | R  | 1      | Ship-to                    |
| 22  | <b>NAD</b> | M  | 1      | Ship-to's name and address |

| Standard |   |           | Implementation |   |  |
|----------|---|-----------|----------------|---|--|
| Tag      | Name  | St Format | St Format      | Usage / remark  |  |
| 3035     | Party function code qualifier                   | M an..3   | M an..3        | <b>ST</b> Ship to   |  |
| C082     | Party identification details                    | C         | O              | All partners listed in the invoicing message are to be transmitted with the complete name and address information. Partner ID is an additional information for enabling the automated processing and matching to internal records.  |  |
| 3039     | Party identifier                                | M an..35  | R an..35       | In case of production materials deliveries this is usually the plant number of the receiving plant.<br>Unique identification of a party by an ID (customer number, supplier number, DUNS or similar).                               |  |
| 1131     | Code list identification code                   | C an..17  | N              | Not used  |  |
| 3055     | Code list responsible agency code               | C an..3   | R an..3        | Agency responsible for code list / identifier maintenance<br><b>10</b> ODETTE<br><b>16</b> US, D&B (Dun & Bradstreet Corporation)<br><b>91</b> Assigned by seller or seller's agent<br><b>92</b> Assigned by buyer or buyer's agent |  |
| C058     | Name and address                                | C         | N              | Not used  |  |
| 3124     | Name and address description                    | M an..35  | N              | Not used  |  |
| 3124     | Name and address description                    | C an..35  | N              | Not used  |  |
| 3124     | Name and address description                    | C an..35  | N              | Not used  |  |
| 3124     | Name and address description                    | C an..35  | N              | Not used  |  |
| 3124     | Name and address description                    | C an..35  | N              | Not used  |  |
| C080     | Party name                                      | C         | R              |   |  |
| 3036     | Party name                                      | M an..35  | M an..35       | Single text line for specification of a name  |  |
| 3036     | Party name                                      | C an..35  | O an..35       | see 3036 # 1  |  |
| 3036     | Party name                                      | C an..35  | O an..35       |   |  |
| 3036     | Party name                                      | C an..35  | O an..35       |   |  |
| 3036     | Party name                                      | C an..35  | N              | Not used  |  |
| 3045     | Party name format code                          | C an..3   | N              | Not used  |  |
| C059     | Street  | C         | O              |   |  |
| 3042     | Street and number or post office box identifier | M an..35  | M an..35       | The name that identifies the location of a house or building: usually within a street as part of an address.  |  |
| 3042     | Street and number or post office box identifier | C an..35  | O an..35       | see 3042 # 1  |  |
| 3042     | Street and number or post office box identifier | C an..35  | N              | Not used  |  |
| 3042     | Street and number or post office box identifier | C an..35  | N              | Not used  |  |
| 3164     | City name                                       | C an..35  | R an..35       | The name of the city, town, or village of this address.   |  |
|          |   |           |                | Not used  |  |

Tag = tag; No. = consecutive segment number in the guide; MaxRep = maximum repetition; St = status (M=mandatory, C=conditional, R=required, O=optional, D=dependent, A=advised)

## Segments

| Standard |                                   | Implementation |        |   |
|----------|-----------------------------------|----------------|--------|---|
| Tag      | Name                              | St             | Format | Usage / remark  |
| C819     | Country subdivision details       | C              |        | N   |
| 3229     | Country subdivision identifier    | C              | an..9  | N    Not used   |
| 1131     | Code list identification code     | C              | an..17 | N    Not used   |
| 3055     | Code list responsible agency code | C              | an..3  | N    Not used   |
| 3228     | Country subdivision name          | C              | an..70 | N    Not used   |
| 3251     | Postal identification code        | C              | an..17 | R    an..17    The identifier for one or more properties according to the postal service of that country; a group of letters and/or numbers added to the postal address to assist in the sorting of mail. |
| 3207     | Country identifier                | C              | an..3  | R    a2    Provides the country part of an address using a code. Use ISO3166 two alpha code.  |

The party to which goods are to be shipped (consigned).  
Sample segment:

**NAD+ST+WarenempfaengerIdentifier: : 91++Name1:Name2:Name3:Name4+Street1: Street2+City++12345+DE'**

Tag = tag; No. = consecutive segment number in the guide; MaxRep = maximum repetition; St = status (M=mandatory, C=conditional, R=required, O=optional, D=dependent, A=advised)

## Segments

| No. | Tag | St | MaxRep | Name                          |
|-----|-----|----|--------|-------------------------------|
|     | SG3 | O  | 4      | Ship-to's reference number(s) |
| 23  | RFF | M  | 1      | Ship-to's reference number(s) |

| Standard |                          | Implementation |        |  |
|----------|--------------------------|----------------|--------|--|
| Tag      | Name                     | St             | Format | Usage / remark   |
| C506     | Reference                | M              |        | M  |
| 1153     | Reference code qualifier | M              | an..3  | M an..3<br>ANK may be used to transmit the DUNS number in addition to customer or supplier number in the NAD segment. This is only necessary if both numbers have to be transmitted. If only the DUNS number is required, the the NAD DE 3019 shall be used.<br><b>FC</b> Fiscal number<br><b>VA</b> VAT registration number<br><b>XA</b> Company/place registration number<br><b>ANK</b> Reference number assigned by third party<br><b>PE</b> Plant number   |
| 1154     | Reference identifier     | C              | an..70 | R an..35<br>For 1153=FC: Tax payer's number. Number assigned to individual persons as well as to corporates by a public institution; this number is different from the VAT registration number.<br>For 1153=VA: Unique number assigned by the relevant tax authority to identify a party for use in relation to Value Added Tax (VAT).<br>For 1153=XA: Identifier of a company in the commercial registry<br>For 1153=ANK: DUNS number<br>To transmit the DUNS number in addition to customer number in the NAD segment. This is only necessary, if both numbers have to be transmitted. If only the DUNS number is required, the the NAD DE 3019 shall be used. |
| 1156     | Document line identifier | C              | an..6  | N Not used   |
| 1056     | Version identifier       | C              | an..9  | N Not used   |
| 1060     | Revision identifier      | C              | an..6  | N Not used   |

Sample segment:

**RFF+FC:Referenznummer'**

Tag = tag; No. = consecutive segment number in the guide; MaxRep = maximum repetition; St = status (M=mandatory, C=conditional, R=required, O=optional, D=dependent, A=advised)

## Segments

| No. | Tag | St | MaxRep | Name                       |
|-----|-----|----|--------|----------------------------|
|     | SG5 | O  | 1      | Ship-to's delivery contact |
| 24  | CTA | M  | 1      | Ship-to's delivery contact |

| Standard |                       | Implementation |         |  |
|----------|-----------------------|----------------|---------|--|
| Tag      | Name                  | St             | Format  | St Format Usage / remark   |
| 3139     | Contact function code | C              | an..3   | R an..3<br><b>DL</b> Delivery contact  |
| C056     | Contact details       | C              |         | O  |
| 3413     | Contact identifier    | C              | an..17  | O an..17 Identifies the department or employee by a unique identifier other than their name when given as a contact. |
| 3412     | Contact name          | C              | an..256 | O an..256 Name of the contact person or department   |

A contact assigned to the delivery party

Sample segment:

**CTA+DL+Abt- /Personal ID:Name Kontaktperson oder Abteilung'**

Tag = tag; No. = consecutive segment number in the guide; MaxRep = maximum repetition; St = status (M=mandatory, C=conditional, R=required, O=optional, D=dependent, A=advised)

## Segments

| No. | Tag | St | MaxRep | Name                       |
|-----|-----|----|--------|----------------------------|
|     | SG5 | O  | 1      | Ship-to's delivery contact |
| 25  | COM | O  | 1      | Communication contact      |

| Standard |                                  | Implementation |         |    |  |
|----------|----------------------------------|----------------|---------|----|--|
| Tag      | Name                             | St             | Format  | St | Format Usage / remark                          |
| C076     | Communication contact            | M              |         | M  |  |
| 3148     | Communication address identifier | M              | an..512 | M  | an..100 Ship-to's contact communication number |
| 3155     | Communication means type code    | M              | an..3   | M  | an..3<br><b>EM</b> Electronic mail             |

Sample segment:

**COM+name@company . de : EM '**

Tag = tag; No. = consecutive segment number in the guide; MaxRep = maximum repetition; St = status (M=mandatory, C=conditional, R=required, O=optional, D=dependent, A=advised)

## Segments

| No. | Tag | St | MaxRep | Name   |
|-----|-----|----|--------|--|
|     | SG2 | R  | 1      | Seller / Invoice Issuer                      |
| 26  | NAD | M  | 1      | Seller's / invoice issuer's name and address |

| Standard |   |           | Implementation |   |  |
|----------|---|-----------|----------------|---|--|
| Tag      | Name  | St Format | St Format      | Usage / remark  |  |
| 3035     | Party function code qualifier                   | M an..3   | M an..3        | <b>SE</b> Seller  |  |
| C082     | Party identification details                    | C         | R              | All partners listed in the invoicing message are to be transmitted with the complete name and address information. Partner ID is an additional information for enabling the automated processing and matching to internal records.  |  |
| 3039     | Party identifier                                | M an..35  | R an..35       | Unique identification of a party by an ID (customer number, supplier number, DUNS or similar).  |  |
| 1131     | Code list identification code                   | C an..17  | N              | Not used  |  |
| 3055     | Code list responsible agency code               | C an..3   | R an..3        | Agency responsible for code list / identifier maintenance<br><b>10</b> ODETTE<br><b>16</b> US, D&B (Dun & Bradstreet Corporation)<br><b>91</b> Assigned by seller or seller's agent<br><b>92</b> Assigned by buyer or buyer's agent |  |
| C058     | Name and address                                | C         | N              | Not used  |  |
| 3124     | Name and address description                    | M an..35  | N              | Not used  |  |
| 3124     | Name and address description                    | C an..35  | N              | Not used  |  |
| 3124     | Name and address description                    | C an..35  | N              | Not used  |  |
| 3124     | Name and address description                    | C an..35  | N              | Not used  |  |
| 3124     | Name and address description                    | C an..35  | N              | Not used  |  |
| C080     | Party name                                      | C         | R              |   |  |
| 3036     | Party name                                      | M an..35  | M an..35       | Complete name of the supplier<br>Single text line for specification of a name   |  |
| 3036     | Party name                                      | C an..35  | O an..35       | see 3036 # 1  |  |
| 3036     | Party name                                      | C an..35  | O an..35       | see 3036 # 1  |  |
| 3036     | Party name                                      | C an..35  | O an..35       | see 3036 # 1  |  |
| 3036     | Party name                                      | C an..35  | N              | Not used  |  |
| 3045     | Party name format code                          | C an..3   | N              | Not used  |  |
| C059     | Street  | C         | O              |   |  |
| 3042     | Street and number or post office box identifier | M an..35  | M an..35       | The name that identifies the location of a house or building: usually within a street as part of an address.<br>Remark: If the German VAT legislation is applicable to the invoice, the actual str                                  |  |
| 3042     | Street and number or post office box identifier | C an..35  | O an..35       | see 3042 # 1  |  |
| 3042     | Street and number or post office box identifier | C an..35  | N              | Not used  |  |
| 3042     | Street and number or post office box identifier | C an..35  | N              | Not used  |  |
| 3164     | City name                                       | C an..35  | O an..35       | The name of the city, town, or village of this address.   |  |

Tag = tag; No. = consecutive segment number in the guide; MaxRep = maximum repetition; St = status (M=mandatory, C=conditional, R=required, O=optional, D=dependent, A=advised)

## Segments

| Standard |                                   | Implementation |        |   |
|----------|-----------------------------------|----------------|--------|---|
| Tag      | Name                              | St             | Format | Usage / remark  |
|          |                                   |                |        | Complete address of the supplier  |
| C819     | Country subdivision details       | C              |        | Not used  |
| 3229     | Country subdivision identifier    | C              | an..9  | C an..9   |
| 1131     | Code list identification code     | C              | an..17 | Not used  |
| 3055     | Code list responsible agency code | C              | an..3  | Not used  |
| 3228     | Country subdivision name          | C              | an..70 | Not used  |
| 3251     | Postal identification code        | C              | an..17 | R an..17 The identifier for one or more properties according to the postal service of that country; a group of letters and/or numbers added to the postal address to assist in the sorting of mail.<br>Complete address of the supplier |
| 3207     | Country identifier                | C              | an..3  | R a2 Complete address of the supplier<br>Provides the country part of an address using a code.<br>Use ISO3166 two alpha code.   |

Party selling merchandise to a buyer. In the context of this guideline this is also the invoice issuer.

Sample segment:

**NAD+SE+VerkaeufertIdentifier::92++Name1:Name2:Name3:Name4+Street1:Street2+City++12345+DE'**

Tag = tag; No. = consecutive segment number in the guide; MaxRep = maximum repetition; St = status (M=mandatory, C=conditional, R=required, O=optional, D=dependent, A=advised)



## Segments

| No. | Tag | St | MaxRep | Name  |
|-----|-----|----|--------|---|
|     | SG3 | O  | 6      | Seller's / invoice issuer's reference number(s) |
| 27  | RFF | M  | 1      | Sellers's reference number(s)                   |

| Standard |                          | Implementation |        |   |
|----------|--------------------------|----------------|--------|---|
| Tag      | Name                     | St             | Format | Usage / remark  |
| C506     | Reference                | M              |        | M   |
| 1153     | Reference code qualifier | M              | an..3  | M an..3<br><b>ADE</b> Account number<br><b>AHL</b> Creditor's reference number<br><b>ANK</b> Reference number assigned by third party<br><b>FC</b> Fiscal number<br><b>VA</b> VAT registration number<br><b>XA</b> Company/place registration number  |
| 1154     | Reference identifier     | C              | an..70 | R an..35<br>For 1153=ADE: The account ID of a party, allocated by a trading partner for the debits or credits account used within the internal information processing and financial system. There is not always a one to one relationship between this number and the party's identification number.<br>For 1153=FC: Tax payer's number. Number assigned to individual persons as well as to corporates by a public institution; this number is different from the VAT registration number.<br>For 1153=VA: Unique number assigned by the relevant tax authority to identify a party for use in relation to Value Added Tax (VAT).<br>For 1153=XA: Identifier of a company in the commercial registry<br>For 1153=AHL: creditor ID - to be transmitted, if the the invoice is settled by SEPA direct debit and the invoice is also used as direct debit pre-notification. In Germany assigned by Deutsche Bundesbank. |
| 1156     | Document line identifier | C              | an..6  | N Not used  |
| 1056     | Version identifier       | C              | an..9  | N Not used  |
| 1060     | Revision identifier      | C              | an..6  | N Not used  |

Rules for the reference of fiscal number and VAT ID:

within Germany = it is mandatory to include either fiscal number (tax registration number) or the VAT ID

Intra-EU =

Sample segment:

**RFF+ADE : Referenznummer '**

Tag = tag; No. = consecutive segment number in the guide; MaxRep = maximum repetition; St = status (M=mandatory, C=conditional, R=required, O=optional, D=dependent, A=advised)

## Segments

| No. | Tag        | St | MaxRep | Name  |
|-----|------------|----|--------|---|
|     | <b>SG5</b> | O  | 1      | <b>Information contact</b><br>Information that identifies the contact person or department on general matters, together with information about how they can be contacted. |
| 28  | <b>CTA</b> | M  | 1      | <b>Information contact</b>  |

| Standard |                       | Implementation |         |    |  |
|----------|-----------------------|----------------|---------|----|--|
| Tag      | Name                  | St             | Format  | St | Format Usage / remark  |
| 3139     | Contact function code | C              | an..3   | C  | an..3<br><b>IC</b> Information contact   |
| C056     | Contact details       | C              |         | O  |  |
| 3413     | Contact identifier    | C              | an..17  | O  | an..17 Identifies the department or employee by a unique identifier other than their name when given as a contact. |
| 3412     | Contact name          | C              | an..256 | O  | an..35 Name of the contact person or department  |

Information that identifies the contact person or department on general matters, together with information about how they can be contacted.

Sample segment:

**CTA+IC+Abt-/Personal ID:Name Kontaktperson oder Abteilung'**

Tag = tag; No. = consecutive segment number in the guide; MaxRep = maximum repetition; St = status (M=mandatory, C=conditional, R=required, O=optional, D=dependent, A=advised)

## Segments

| No. | Tag        | St | MaxRep | Name  |
|-----|------------|----|--------|---|
|     | <b>SG5</b> | O  | 1      | <b>Information contact</b><br>Information that identifies the contact person or department on general matters, together with information about how they can be contacted. |
| 29  | <b>COM</b> | O  | 5      | <b>Communication contact</b>  |

| Standard |                                  |           | Implementation |  |  |
|----------|----------------------------------|-----------|----------------|--|--|
| Tag      | Name                             | St Format | St Format      | Usage / remark   |  |
| C076     | Communication contact            | M         | M              |  |  |
| 3148     | Communication address identifier | M an..512 | M an..100      | Communication number / address   |  |
| 3155     | Communication means type code    | M an..3   | M an..3        | <b>TE</b> Telephone<br><b>FX</b> Telefax<br><b>EM</b> Electronic mail<br><b>IM</b> Internal mail |  |

Sample segment:

**COM+00491234567890 : TE '**

Tag = tag; No. = consecutive segment number in the guide; MaxRep = maximum repetition; St = status (M=mandatory, C=conditional, R=required, O=optional, D=dependent, A=advised)

## Segments

| No. | Tag | St | MaxRep | Name  |
|-----|-----|----|--------|---|
|     | SG2 | O  | 1      | Divergent invoice issuer                    |
| 30  | NAD | M  | 1      | Divergent invoice issuer's name and address |

| Standard |   |           | Implementation |  |  |
|----------|---|-----------|----------------|--|--|
| Tag      | Name  | St Format | St Format      | Usage / remark   |  |
| 3035     | Party function code qualifier                   | M an..3   | M an..3        |  |  |
|          |   |           |                | <b>II Invoice issuer</b>   |  |
| C082     | Party identification details                    | C         | O              | All partners listed in the invoicing message are to be transmitted with the complete name and address information. Partner ID is an additional information for enabling the automated processing and matching to internal records. |  |
| 3039     | Party identifier                                | M an..35  | M an..35       | Unique identification of a party by an ID (customer number, supplier number, DUNS or similar).   |  |
| 1131     | Code list identification code                   | C an..17  | N              | Not used   |  |
| 3055     | Code list responsible agency code               | C an..3   | R an..3        | Agency responsible for code list / identifier maintenance  |  |
|          |   |           |                | <b>10</b> ODETTE   |  |
|          |   |           |                | <b>16</b> US, D&B (Dun & Bradstreet Corporation)   |  |
|          |   |           |                | <b>91</b> Assigned by seller or seller's agent   |  |
|          |   |           |                | <b>92</b> Assigned by buyer or buyer's agent   |  |
| C058     | Name and address                                | C         | N              | Not used   |  |
| 3124     | Name and address description                    | M an..35  | N              | Not used   |  |
| 3124     | Name and address description                    | C an..35  | N              | Not used   |  |
| 3124     | Name and address description                    | C an..35  | N              | Not used   |  |
| 3124     | Name and address description                    | C an..35  | N              | Not used   |  |
| 3124     | Name and address description                    | C an..35  | N              | Not used   |  |
| C080     | Party name                                      | C         | R              |  |  |
| 3036     | Party name                                      | M an..35  | M an..35       | Single text line for specification of a name   |  |
| 3036     | Party name                                      | C an..35  | O an..35       | see 3036 # 1   |  |
| 3036     | Party name                                      | C an..35  | O an..35       |  |  |
| 3036     | Party name                                      | C an..35  | O an..35       |  |  |
| 3036     | Party name                                      | C an..35  | N              | Not used   |  |
| 3045     | Party name format code                          | C an..3   | N              | Not used   |  |
| C059     | Street  | C         | O              |  |  |
| 3042     | Street and number or post office box identifier | M an..35  | M an..35       | The name that identifies the location of a house or building: usually within a street as part of an address.   |  |
| 3042     | Street and number or post office box identifier | C an..35  | O an..35       | see 3042 # 1   |  |
| 3042     | Street and number or post office box identifier | C an..35  | N              | Not used   |  |
| 3042     | Street and number or post office box identifier | C an..35  | N              | Not used   |  |
| 3164     | City name                                       | C an..35  | R an..35       | The name of the city, town, or village of this address.  |  |
| C819     | Country subdivision details                     | C         | N              | Not used   |  |
| 3229     | Country subdivision identifier                  | C an..9   | N              | Not used   |  |

Tag = tag; No. = consecutive segment number in the guide; MaxRep = maximum repetition; St = status (M=mandatory, C=conditional, R=required, O=optional, D=dependent, A=advised)

## Segments

| Standard |                                   | Implementation |        |    |   |
|----------|-----------------------------------|----------------|--------|----|---|
| Tag      | Name                              | St             | Format | St | Format Usage / remark   |
| 1131     | Code list identification code     | C              | an..17 | N  | Not used  |
| 3055     | Code list responsible agency code | C              | an..3  | N  | Not used  |
| 3228     | Country subdivision name          | C              | an..70 | N  | Not used  |
| 3251     | Postal identification code        | C              | an..17 | R  | an..17 The identifier for one or more properties according to the postal service of that country; a group of letters and/or numbers added to the postal address to assist in the sorting of mail. |
| 3207     | Country identifier                | C              | an..3  | R  | a2 Provides the country part of an address using a code. Use ISO3166 two alpha code.  |

Party who issues the invoice. This segment is only necessary if the invoice issuer differs from the seller.

Sample segment:

**NAD+II+RechnungsstellerIdentifier::92++Name1:Name2:Name3:Name4+Street1:Street2+City++12345+DE'**

Tag = tag; No. = consecutive segment number in the guide; MaxRep = maximum repetition; St = status (M=mandatory, C=conditional, R=required, O=optional, D=dependent, A=advised)

## Segments

| No. | Tag | St | MaxRep | Name                     |
|-----|-----|----|--------|--------------------------|
|     | SG2 | O  | 1      | Payee                    |
| 31  | NAD | M  | 1      | Payee's name and address |

| Standard |   | Implementation |        |   |
|----------|---|----------------|--------|---|
| Tag      | Name  | St             | Format | Usage / remark  |
| 3035     | Party function code qualifier                   | M              | an..3  | M an..3<br><b>PE</b> Payee  |
| C082     | Party identification details                    | C              |        | O All partners listed in the invoicing message are to be transmitted with the complete name and address information. Partner ID is an additional information for enabling the automated processing and matching to internal records.        |
| 3039     | Party identifier                                | M              | an..35 | M an..35 Unique identification of a party by an ID (customer number, supplier number, DUNS or similar).   |
| 1131     | Code list identification code                   | C              | an..17 | N Not used  |
| 3055     | Code list responsible agency code               | C              | an..3  | R an..3 Agency responsible for code list / identifier maintenance<br><b>10</b> ODETTE<br><b>16</b> US, D&B (Dun & Bradstreet Corporation)<br><b>91</b> Assigned by seller or seller's agent<br><b>92</b> Assigned by buyer or buyer's agent |
| C058     | Name and address                                | C              |        | N Not used  |
| 3124     | Name and address description                    | M              | an..35 | N Not used  |
| 3124     | Name and address description                    | C              | an..35 | N Not used  |
| 3124     | Name and address description                    | C              | an..35 | N Not used  |
| 3124     | Name and address description                    | C              | an..35 | N Not used  |
| 3124     | Name and address description                    | C              | an..35 | N Not used  |
| C080     | Party name                                      | C              |        | R   |
| 3036     | Party name                                      | M              | an..35 | M an..35 Single text line for specification of a name   |
| 3036     | Party name                                      | C              | an..35 | O an..35 see 3036 # 1   |
| 3036     | Party name                                      | C              | an..35 | O an..35 see 3036 # 1   |
| 3036     | Party name                                      | C              | an..35 | O an..35 see 3036 # 1   |
| 3036     | Party name                                      | C              | an..35 | N Not used  |
| 3045     | Party name format code                          | C              | an..3  | N Not used  |
| C059     | Street  | C              |        | O   |
| 3042     | Street and number or post office box identifier | M              | an..35 | M an..35 The name that identifies the location of a house or building: usually within a street as part of an address.   |
| 3042     | Street and number or post office box identifier | C              | an..35 | O an..35 see 3042 # 1   |
| 3042     | Street and number or post office box identifier | C              | an..35 | N Not used  |
| 3042     | Street and number or post office box identifier | C              | an..35 | N Not used  |
| 3164     | City name                                       | C              | an..35 | R an..35 The name of the city, town, or village of this address.  |
| C819     | Country subdivision details                     | C              |        | N Not used  |
| 3229     | Country subdivision identifier                  | C              | an..9  | N Not used  |

Tag = tag; No. = consecutive segment number in the guide; MaxRep = maximum repetition; St = status (M=mandatory, C=conditional, R=required, O=optional, D=dependent, A=advised)

## Segments

| Standard |                                   | Implementation |        |    |   |
|----------|-----------------------------------|----------------|--------|----|---|
| Tag      | Name                              | St             | Format | St | Format Usage / remark   |
| 1131     | Code list identification code     | C              | an..17 | N  | Not used  |
| 3055     | Code list responsible agency code | C              | an..3  | N  | Not used  |
| 3228     | Country subdivision name          | C              | an..70 | N  | Not used  |
| 3251     | Postal identification code        | C              | an..17 | R  | an..17 The identifier for one or more properties according to the postal service of that country; a group of letters and/or numbers added to the postal address to assist in the sorting of mail. |
| 3207     | Country identifier                | C              | an..3  | R  | a2 Provides the country part of an address using a code. Use ISO3166 two alpha code.  |

Party to whom a payment has to be made.

Sample segment:

**NAD+PE+ZahlungsempfängerIdentifier: :92++Name1:Name2:Name3:Name4+Street1:Street2+City++12345+DE'**

Tag = tag; No. = consecutive segment number in the guide; MaxRep = maximum repetition; St = status (M=mandatory, C=conditional, R=required, O=optional, D=dependent, A=advised)

## Segments

| No. | Tag | St | MaxRep | Name                         |
|-----|-----|----|--------|------------------------------|
|     | SG2 | R  | 1      | Ship-from                    |
| 32  | NAD | M  | 1      | Ship-from's name and address |

| Standard |   |           | Implementation |   |  |
|----------|---|-----------|----------------|---|--|
| Tag      | Name  | St Format | St Format      | Usage / remark  |  |
| 3035     | Party function code qualifier                   | M an..3   | M an..3        | <b>SF</b> Ship from   |  |
| C082     | Party identification details                    | C         | O              | All partners listed in the invoicing message are to be transmitted with the complete name and address information. Partner ID is an additional information for enabling the automated processing and matching to internal records.  |  |
| 3039     | Party identifier                                | M an..35  | R an..35       | Unique identification of a party by an ID (customer number, supplier number, DUNS or similar).  |  |
| 1131     | Code list identification code                   | C an..17  | N              | Not used  |  |
| 3055     | Code list responsible agency code               | C an..3   | R an..3        | Agency responsible for code list / identifier maintenance<br><b>10</b> ODETTE<br><b>16</b> US, D&B (Dun & Bradstreet Corporation)<br><b>91</b> Assigned by seller or seller's agent<br><b>92</b> Assigned by buyer or buyer's agent |  |
| C058     | Name and address                                | C         | N              | Not used  |  |
| 3124     | Name and address description                    | M an..35  | N              | Not used  |  |
| 3124     | Name and address description                    | C an..35  | N              | Not used  |  |
| 3124     | Name and address description                    | C an..35  | N              | Not used  |  |
| 3124     | Name and address description                    | C an..35  | N              | Not used  |  |
| 3124     | Name and address description                    | C an..35  | N              | Not used  |  |
| C080     | Party name                                      | C         | R              |   |  |
| 3036     | Party name                                      | M an..35  | M an..35       | Single text line for specification of a name  |  |
| 3036     | Party name                                      | C an..35  | O an..35       | see 3036 # 1  |  |
| 3036     | Party name                                      | C an..35  | O an..35       | see 3036 # 1  |  |
| 3036     | Party name                                      | C an..35  | O an..35       | see 3036 # 1  |  |
| 3036     | Party name                                      | C an..35  | N              | Not used  |  |
| 3045     | Party name format code                          | C an..3   | N              | Not used  |  |
| C059     | Street  | C         | O              |   |  |
| 3042     | Street and number or post office box identifier | M an..35  | M an..35       | The name that identifies the location of a house or building: usually within a street as part of an address.  |  |
| 3042     | Street and number or post office box identifier | C an..35  | O an..35       | see 3042 # 1  |  |
| 3042     | Street and number or post office box identifier | C an..35  | N              | Not used  |  |
| 3042     | Street and number or post office box identifier | C an..35  | N              | Not used  |  |
| 3164     | City name                                       | C an..35  | R an..35       | The name of the city, town, or village of this address.   |  |
| C819     | Country subdivision details                     | C         | N              | Not used  |  |
| 3229     | Country subdivision identifier                  | C an..9   | N              | Not used  |  |

Tag = tag; No. = consecutive segment number in the guide; MaxRep = maximum repetition; St = status (M=mandatory, C=conditional, R=required, O=optional, D=dependent, A=advised)



## Segments

| Standard |                                   | Implementation |        |    |   |
|----------|-----------------------------------|----------------|--------|----|---|
| Tag      | Name                              | St             | Format | St | Format Usage / remark   |
| 1131     | Code list identification code     | C              | an..17 | N  | Not used  |
| 3055     | Code list responsible agency code | C              | an..3  | N  | Not used  |
| 3228     | Country subdivision name          | C              | an..70 | N  | Not used  |
| 3251     | Postal identification code        | C              | an..17 | R  | an..17 The identifier for one or more properties according to the postal service of that country; a group of letters and/or numbers added to the postal address to assist in the sorting of mail. |
| 3207     | Country identifier                | C              | an..3  | R  | a2 Provides the country part of an address using a code. Use ISO3166 two alpha code.  |

The party, which consigns or sends goods or makes them available for pick-up.

Sample segment:

**NAD+SF+WarenversenderIdentifier: :92++Name1:Name2:Name3:Name4+Street1:Street2+City++12345+DE'**

Tag = tag; No. = consecutive segment number in the guide; MaxRep = maximum repetition; St = status (M=mandatory, C=conditional, R=required, O=optional, D=dependent, A=advised)

## Segments

| No. | Tag | St | MaxRep | Name                            |
|-----|-----|----|--------|---------------------------------|
|     | SG3 | O  | 2      | Ship-from's reference number(s) |
| 33  | RFF | M  | 1      | Ship-from's reference number(s) |

| Standard |                          | Implementation |        |   |
|----------|--------------------------|----------------|--------|---|
| Tag      | Name                     | St             | Format | Usage / remark  |
| C506     | Reference                | M              |        | M   |
| 1153     | Reference code qualifier | M              | an..3  | M an..3<br><b>VA</b> VAT registration number<br><b>XA</b> Company/place registration number   |
| 1154     | Reference identifier     | C              | an..70 | R an..35 For 1153=VA: Unique number assigned by the relevant tax authority to identify a party for use in relation to Value Added Tax (VAT).<br>For 1153=XA: Identifier of a company in the commercial registry |
| 1156     | Document line identifier | C              | an..6  | N Not used  |
| 1056     | Version identifier       | C              | an..9  | N Not used  |
| 1060     | Revision identifier      | C              | an..6  | N Not used  |

Sample segment:

**RFF+VA:Referenznummer'**

Tag = tag; No. = consecutive segment number in the guide; MaxRep = maximum repetition; St = status (M=mandatory, C=conditional, R=required, O=optional, D=dependent, A=advised)

## Segments

| No. | Tag | St | MaxRep | Name                                  |
|-----|-----|----|--------|---------------------------------------|
|     | SG2 | D  | 2      | Tax representative party              |
| 34  | NAD | M  | 1      | Tax representative's name and address |

| Standard |   | Implementation |        |  |
|----------|---|----------------|--------|--|
| Tag      | Name  | St             | Format | Usage / remark   |
| 3035     | Party function code qualifier                   | M              | an..3  | M an..3<br><b>LC</b> Party declaring the Value Added Tax (VAT)<br><b>LD</b> Party recovering the Value Added Tax (VAT)   |
| C082     | Party identification details                    | C              |        | N Not used   |
| 3039     | Party identifier                                | M              | an..35 | N Not used   |
| 1131     | Code list identification code                   | C              | an..17 | N Not used   |
| 3055     | Code list responsible agency code               | C              | an..3  | N Not used   |
| C058     | Name and address                                | C              |        | N Not used   |
| 3124     | Name and address description                    | M              | an..35 | N Not used   |
| 3124     | Name and address description                    | C              | an..35 | N Not used   |
| 3124     | Name and address description                    | C              | an..35 | N Not used   |
| 3124     | Name and address description                    | C              | an..35 | N Not used   |
| 3124     | Name and address description                    | C              | an..35 | N Not used   |
| C080     | Party name                                      | C              |        | R All partners listed in the invoicing message are to be transmitted with the complete name and address information. Partner ID is an additional information for enabling the automated processing and matching to internal records. |
| 3036     | Party name                                      | M              | an..35 | M an..35 Single text line for specification of a name  |
| 3036     | Party name                                      | C              | an..35 | O an..35 see 3036 # 1  |
| 3036     | Party name                                      | C              | an..35 | O an..35 see 3036 # 1  |
| 3036     | Party name                                      | C              | an..35 | O an..35 see 3036 # 1  |
| 3036     | Party name                                      | C              | an..35 | N Not used   |
| 3045     | Party name format code                          | C              | an..3  | N Not used   |
| C059     | Street  | C              |        | R  |
| 3042     | Street and number or post office box identifier | M              | an..35 | M an..35 The name that identifies the location of a house or building; usually within a street as part of an address.  |
| 3042     | Street and number or post office box identifier | C              | an..35 | O an..35 see 3042 # 1  |
| 3042     | Street and number or post office box identifier | C              | an..35 | N Not used   |
| 3042     | Street and number or post office box identifier | C              | an..35 | N Not used   |
| 3164     | City name                                       | C              | an..35 | R an..35 The name of the city, town, or village of this address.   |
| C819     | Country subdivision details                     | C              |        | N Not used   |
| 3229     | Country subdivision identifier                  | C              | an..9  | N Not used   |
| 1131     | Code list identification code                   | C              | an..17 | N Not used   |
| 3055     | Code list responsible agency code               | C              | an..3  | N Not used   |

Tag = tag; No. = consecutive segment number in the guide; MaxRep = maximum repetition; St = status (M=mandatory, C=conditional, R=required, O=optional, D=dependent, A=advised)

## Segments

| Standard |                            | Implementation |        |    |   |
|----------|----------------------------|----------------|--------|----|---|
| Tag      | Name                       | St             | Format | St | Format Usage / remark   |
| 3228     | Country subdivision name   | C              | an..70 | N  | Not used  |
| 3251     | Postal identification code | C              | an..17 | R  | an..17 The identifier for one or more properties according to the postal service of that country; a group of letters and/or numbers added to the postal address to assist in the sorting of mail. |
| 3207     | Country identifier         | C              | an..3  | R  | a2 Provides the country part of an address using a code. Use ISO3166 two alpha code.  |

A business partner who is not normally resident in a EU-Member State, or does not have a business establishment in that Member State and, in the case of a company, is not incorporated in that Member State, but makes taxable supplies of goods or services in that Member State, they are regarded as a non established taxable person.

In such cases, the non established taxable person may appoint a VAT-registered tax representative, to maintain/preserve VAT records on his behalf and to make any required VAT declarations to the relevant tax authority.

Sample segment:

**NAD+LC+++Name1 : Name2 : Name3 : Name4+Street1 : Street2+City++12345+DE '**

Tag = tag; No. = consecutive segment number in the guide; MaxRep = maximum repetition; St = status (M=mandatory, C=conditional, R=required, O=optional, D=dependent, A=advised)

## Segments

| No. | Tag | St | MaxRep | Name                    |
|-----|-----|----|--------|-------------------------|
|     | SG3 | R  | 1      | VAT registration number |
| 35  | RFF | M  | 1      | VAT registration number |

| Standard |                          | Implementation |        |   |
|----------|--------------------------|----------------|--------|---|
| Tag      | Name                     | St             | Format | Usage / remark  |
| C506     | Reference                | M              |        | M   |
| 1153     | Reference code qualifier | M              | an..3  | M an..3<br><b>VA</b> VAT registration number  |
| 1154     | Reference identifier     | C              | an..70 | R an..35 Unique number assigned by the relevant tax authority to identify a party for use in relation to Value Added Tax (VAT). |
| 1156     | Document line identifier | C              | an..6  | N Not used  |
| 1056     | Version identifier       | C              | an..9  | N Not used  |
| 1060     | Revision identifier      | C              | an..6  | N Not used  |

Sample segment:

**RFF+VA:Umsatzsteuer-ID'**

Tag = tag; No. = consecutive segment number in the guide; MaxRep = maximum repetition; St = status (M=mandatory, C=conditional, R=required, O=optional, D=dependent, A=advised)

## Segments

| No. | Tag | St | MaxRep | Name                                 |
|-----|-----|----|--------|--------------------------------------|
|     | SG7 | R  | 1      | Invoice and home or payment currency |
| 36  | CUX | M  | 1      | Currencies                           |

| Standard |  | Implementation |        |   |
|----------|--|----------------|--------|---|
| Tag      | Name                                     | St             | Format | Usage / remark  |
| C504     | Currency details                         | C              |        | C   |
| 6347     | Currency usage code qualifier            | M              | an..3  | M an..3<br><b>2</b> Reference currency  |
| 6345     | Currency identification code             | C              | an..3  | R an..3 Code specifying a monetary unit.  |
| 6343     | Currency type code qualifier             | C              | an..3  | R an..3<br><b>4</b> Invoicing currency  |
| 6348     | Currency rate                            | C              | n..4   | N Not used  |
| C504     | Currency details                         | C              |        | O   |
| 6347     | Currency usage code qualifier            | M              | an..3  | M an..3<br><b>3</b> Target currency   |
| 6345     | Currency identification code             | C              | an..3  | R an..3 Target Currency specifies the currency that has to be used for accounting, taxation, or calculation purposes in those cases, when a monetary amount is given in a different currency. Use ISO 4217 3-alpha currency code. |
| 6343     | Currency type code qualifier             | C              | an..3  | R an..3<br><b>3</b> Home currency<br><b>11</b> Payment currency   |
| 6348     | Currency rate                            | C              | n..4   | N Not used  |
| 5402     | Currency exchange rate                   | C              | n..12  | O n..12 The rate at which one specified currency is expressed in another specified currency.  |
| 6341     | Exchange rate currency market identifier | C              | an..3  | N Not used  |

If the invoicing currency is the official domestic currency, this segment group can be omitted (this may depend on national fiscal requirements). Otherwise it is used to state the necessary currencies.

It has to contain the invoice currency and may contain home or payment currency.

Invoicing currency is always to be given in the first occurrence of the CUX segment, C504#1 as follows:

6347: '2', 6345: currency, 6343: '4'

If a different payment or home currency is to be given, the second occurrence of C504 in the CUX segment is to be used as follows:

second 6347: '3' , second 6345: currency, and second 6343: '3' or '11'. Data element 5402 contains the currency conversion rate.

If three currencies have to be transmitted, another SG7 - CUX, DTM has to be created and the following rule shall apply:

SG7#1 CUX C504#1: invoice currency (see above)

SG7#1 CUX C504#2: payment currency (see above)

SG7#2 CUX C504#1: home currency (see below)

6347 '3' 6345 Currency 6343 '3'

Home currency: in some countries it is a requirement that, for invoicing in foreign currency, the invoice taxable and tax (e.g. VAT) amounts must also be expressed in home currency. Relating this to the CUX segments, authorities would require the invoicing currency and the home currency to be shown, together with the rate of exchange (element 5402).

A segment group combining a (source) currency and a target currency with the appropriate rate of exchange for those cases, where the transformation of currency is necessary.

Tag = tag; No. = consecutive segment number in the guide; MaxRep = maximum repetition; St = status (M=mandatory, C=conditional, R=required, O=optional, D=dependent, A=advised)

## Segments

Sample segment:

**CUX+2 : EUR : 4+3 : USD : 11+9 '**

Tag = tag; No. = consecutive segment number in the guide; MaxRep = maximum repetition; St = status (M=mandatory, C=conditional, R=required, O=optional, D=dependent, A=advised)

## Segments

| No. | Tag | St | MaxRep | Name                                 |
|-----|-----|----|--------|--------------------------------------|
|     | SG7 | R  | 1      | Invoice and home or payment currency |
| 37  | DTM | D  | 1      | Exchange rate date                   |

| Standard |  | Implementation |        |   |
|----------|--|----------------|--------|---|
| Tag      | Name   | St             | Format | Usage / remark  |
| C507     | Date/time/period                               | M              |        | M   |
| 2005     | Date or time or period function code qualifier | M              | an..3  | M an..3<br><b>134</b> Rate of exchange date/time  |
| 2380     | Date or time or period text                    | C              | an..35 | R n8 To specify the date a given exchange rate between two currencies has been calculated (or has been published by other sources). |
| 2379     | Date or time or period format code             | C              | an..3  | O an..3<br><b>102</b> CCYYMMDD  |

The exchange rate date has to be specified only when payment or home currency is used in that CUX segment.  
Sample segment:

**DTM+134:20100308:102'**

Tag = tag; No. = consecutive segment number in the guide; MaxRep = maximum repetition; St = status (M=mandatory, C=conditional, R=required, O=optional, D=dependent, A=advised)



## Segments

| No. | Tag | St | MaxRep | Name          |
|-----|-----|----|--------|---------------|
|     | SG7 | O  | 1      | Home currency |
| 38  | CUX | M  | 1      | Home currency |

| Standard |  | Implementation |        |   |
|----------|--|----------------|--------|---|
| Tag      | Name                                     | St             | Format | Usage / remark  |
| C504     | Currency details                         | C              |        | R   |
| 6347     | Currency usage code qualifier            | M              | an..3  | M an..3<br><b>3 Target currency</b>   |
| 6345     | Currency identification code             | C              | an..3  | R an..3 Code specifying a monetary unit.  |
| 6343     | Currency type code qualifier             | C              | an..3  | R an..3<br><b>3 Home currency</b>   |
| 6348     | Currency rate                            | C              | n..4   | N Not used  |
| C504     | Currency details                         | C              |        | N Not used  |
| 6347     | Currency usage code qualifier            | M              | an..3  | N Not used  |
| 6345     | Currency identification code             | C              | an..3  | N Not used  |
| 6343     | Currency type code qualifier             | C              | an..3  | N Not used  |
| 6348     | Currency rate                            | C              | n..4   | N Not used  |
| 5402     | Currency exchange rate                   | C              | n..12  | O n..12 Exchange rate between the invoice currency and the home(domestic) currency. |
| 6341     | Exchange rate currency market identifier | C              | an..3  | N Not used  |

In some countries it is a requirement that, for invoicing in foreign currency, the invoice taxable and tax (e.g. VAT) amounts must also be expressed in home currency. Relating this to the CUX segments, authorities would require the invoicing currency and the home currency to be shown, together with the rate of exchange (element 5402).

Invoicing currency is always to be given in the first occurrence of the CUX segment.

Sample segment:

**CUX+3 : HUF : 3++9 '**

## Segments

| No. | Tag | St | MaxRep | Name               |
|-----|-----|----|--------|--------------------|
|     | SG7 | O  | 1      | Home currency      |
| 39  | DTM | O  | 1      | Exchange rate date |

| Standard |  |           | Implementation |   |  |
|----------|--|-----------|----------------|---|--|
| Tag      | Name   | St Format | St Format      | Usage / remark  |  |
| C507     | Date/time/period                               | M         | M              |   |  |
| 2005     | Date or time or period function code qualifier | M an..3   | M an..3        | <b>134</b> Rate of exchange date/time   |  |
| 2380     | Date or time or period text                    | C an..35  | O n8           | To specify the date, a given exchange rate between two currencies has been calculated (or has been published by other sources). |  |
| 2379     | Date or time or period format code             | C an..3   | O an..3        | <b>102</b> CCYYMMDD   |  |

This exchange rate date has to be specified only when it differs from the exchange rate date given in the previous segment group.  
 Sample segment:

**DTM+134:20100308:102'**

Tag = tag; No. = consecutive segment number in the guide; MaxRep = maximum repetition; St = status (M=mandatory, C=conditional, R=required, O=optional, D=dependent, A=advised)

## Segments

| No. | Tag        | St | MaxRep | Name                 |
|-----|------------|----|--------|----------------------|
|     | <b>SG8</b> | O  | 10     | Payment instructions |
| 40  | <b>PYT</b> | M  | 1      | Payment terms        |

| Standard |                                      | Implementation |        |    |  |
|----------|--------------------------------------|----------------|--------|----|--|
| Tag      | Name                                 | St             | Format | St | Format Usage / remark  |
| 4279     | Payment terms type code qualifier    | M              | an..3  | M  | an..3 Qualifier for payment terms.<br><b>1</b> Basic<br><b>22</b> Discount<br><b>78</b> Factoring  |
| C019     | Payment terms                        | C              |        | N  | Not used   |
| 4277     | Payment terms description identifier | C              | an..17 | N  | Not used   |
| 1131     | Code list identification code        | C              | an..17 | N  | Not used   |
| 3055     | Code list responsible agency code    | C              | an..3  | N  | Not used   |
| 4276     | Payment terms description            | C              | an..35 | N  | Not used   |
| 2475     | Event time reference code            | C              | an..3  | O  | an..3 Payment Time Reference Coded - see code list 2475<br>Reference to the date of a specific event, e.g. issue date of a specified business document (for example invoice date).<br>see code list 2475   |
| 2009     | Terms time relation code             | C              | an..3  | O  | an..3 Code relating terms to a reference date, time or period.<br><b>1</b> Reference date<br><b>2</b> Before reference<br><b>3</b> After reference<br><b>4</b> End of 10-day period containing the reference date<br><b>5</b> End of 2-week period containing the reference date<br><b>6</b> End of month containing the reference date<br><b>8</b> End of quarter containing the reference date<br><b>9</b> End of year containing the reference date<br><b>12</b> End of half year containing the reference date |
| 2151     | Period type code                     | C              | an..3  | O  | an..3 Code identifying a period<br><b>3M</b> Quarter<br><b>6M</b> Half-year<br><b>D</b> Day<br><b>M</b> Month<br><b>P</b> Four month period<br><b>W</b> Week<br><b>Y</b> Year  |
| 2152     | Period count quantity                | C              | n..3   | O  | n..3 Actual number of periods (days, weeks etc.) belonging to a payment term.  |

Sample segment:

**PYT+1+++1+1+M+1 '**

Tag = tag; No. = consecutive segment number in the guide; MaxRep = maximum repetition; St = status (M=mandatory, C=conditional, R=required, O=optional, D=dependent, A=advised)

## Segments

| No. | Tag | St | MaxRep | Name                 |
|-----|-----|----|--------|----------------------|
|     | SG8 | O  | 10     | Payment instructions |
| 41  | DTM | O  | 1      | Payment due date     |

| Standard |  |           | Implementation |  |  |
|----------|--|-----------|----------------|--|--|
| Tag      | Name   | St Format | St Format      | Usage / remark   |  |
| C507     | Date/time/period                               | M         | M              |  |  |
| 2005     | Date or time or period function code qualifier | M an..3   | M an..3        | <b>140</b> Payment due date  |  |
| 2380     | Date or time or period text                    | C an..35  | R n8           | Date when the payment is due in order to comply with the specified payment terms. If direct debit procedure is used, this data element contains the scheduled direct debit transaction date. |  |
| 2379     | Date or time or period format code             | C an..3   | O an..3        | <b>102</b> CCYYMMDD  |  |

This segment can be used in conjunction with any of the applicable qualifiers in the leading PYT segment.  
 Sample segment:

**DTM+140:20100308:102'**

Tag = tag; No. = consecutive segment number in the guide; MaxRep = maximum repetition; St = status (M=mandatory, C=conditional, R=required, O=optional, D=dependent, A=advised)

## Segments

| No. | Tag | St | MaxRep | Name                 |
|-----|-----|----|--------|----------------------|
|     | SG8 | O  | 10     | Payment instructions |
| 42  | DTM | O  | 1      | Reference date/time  |

| Standard |  |           | Implementation |  |  |
|----------|--|-----------|----------------|--|--|
| Tag      | Name   | St Format | St Format      | Usage / remark   |  |
| C507     | Date/time/period                               | M         | M              |  |  |
| 2005     | Date or time or period function code qualifier | M an..3   | M an..3        | <b>171</b> Reference date/time   |  |
| 2380     | Date or time or period text                    | C an..35  | R n8           | Date, the referenced document was issued, usually the invoice issue date |  |
| 2379     | Date or time or period format code             | C an..3   | O an..3        | <b>102</b> CCYYMMDD  |  |

The reference date is related to data element 2009 or code ZZZ in DE 2475 in the previous PYT segment. If data element 2009 is filled, this reference date has to be specified.

Sample segment:

**DTM+171:20100308:102'**

Tag = tag; No. = consecutive segment number in the guide; MaxRep = maximum repetition; St = status (M=mandatory, C=conditional, R=required, O=optional, D=dependent, A=advised)

## Segments

| No. | Tag        | St | MaxRep | Name                                       |
|-----|------------|----|--------|--|
|     | <b>SG8</b> | O  | 10     | Payment instructions                       |
| 43  | <b>PCD</b> | D  | 1      | Discount, payment or instalment percentage |

| Standard |                                      |           | Implementation |  |  |
|----------|--------------------------------------|-----------|----------------|--|--|
| Tag      | Name                                 | St Format | St Format      | Usage / remark   |  |
| C501     | Percentage details                   | M         | M              |  |  |
| 5245     | Percentage type code qualifier       | M an..3   | M an..3        | Payment Variation Qualifier<br>Code 7 must be used in conjunction with code 262 in the following MOA segment, DE 5025. Code 12 must be used in conjunction with code 52 in MOA, DE 5025. Code 122 requires code 77 in the MOA segment. Code 122 is used to indicate the percentages of the total payment that is covered by the payment means, which is specified in the triggering PYT segment.<br><b>7</b> Percentage of invoice<br><b>12</b> Discount<br><b>122</b> Percentage of total payment |  |
| 5482     | Percentage                           | C n..10   | R n..10        | Amount expressed as a percentage deductible from the total amount due if payment takes place within a specified period or before the fixed due date.<br>Percentage of an (e.g. invoice) total amount - used to specify e.g. payment variations or instalment payments.<br>Amount expressed as a percentage added to the total amount due for payment.  |  |
| 5249     | Percentage basis identification code | C an..3   | N              | Not used   |  |
| 1131     | Code list identification code        | C an..17  | N              | Not used   |  |
| 3055     | Code list responsible agency code    | C an..3   | N              | Not used   |  |
| 4405     | Status description code              | C an..3   | N              | Not used   |  |

This segment specifies - dependent on qualifier of leading PYT segment - the discount percentage or the percentage of an invoice amount that an instalment is based on. The following MOA segment has to match this percentage, if given.

UK: Present HM Customs rules are that where invoice discounts (PYT/4279 = "22") are offered, based on a percentage of the invoice, then the percentage rate must also be explicitly declared - in such cases, the optional PCD segment would be mandatory for UK invoicing purposes. Please note also that, where (settlement) discounts are allowed, the VAT on the invoice is based on the discounted invoice amounts, irrespective of whether the terms of the discount are actually taken up by the Buyer.

Sample segment:

**PCD+7 : 9 '**

Tag = tag; No. = consecutive segment number in the guide; MaxRep = maximum repetition; St = status (M=mandatory, C=conditional, R=required, O=optional, D=dependent, A=advised)

## Segments

| No. | Tag | St | MaxRep | Name                                  |
|-----|-----|----|--------|---------------------------------------|
|     | SG8 | O  | 10     | Payment instructions                  |
| 44  | MOA | O  | 1      | Instalment or payment discount amount |

| Standard |  | Implementation |        |   |
|----------|--|----------------|--------|---|
| Tag      | Name                                   | St             | Format | Usage / remark  |
| C516     | Monetary amount                        | M              |        | M   |
| 5025     | Monetary amount type code<br>qualifier | M              | an..3  | M an..3<br><br><b>52</b> Discount amount<br><b>262</b> Instalment amount  |
| 5004     | Monetary amount                        | C              | n..35  | R n..15<br>Value of a discount amount in currency units<br>Value of an instalment monetary amount in currency units<br>Value of a penalty monetary amount in currency units |
| 6345     | Currency identification code           | C              | an..3  | R an..3 Code specifying a monetary unit.  |
| 6343     | Currency type code qualifier           | C              | an..3  | N Not used  |
| 4405     | Status description code                | C              | an..3  | N Not used  |

Sample segment:

**MOA+52 : 9 : EUR '**

Tag = tag; No. = consecutive segment number in the guide; MaxRep = maximum repetition; St = status (M=mandatory, C=conditional, R=required, O=optional, D=dependent, A=advised)

## Segments

| No. | Tag | St | MaxRep | Name                         |
|-----|-----|----|--------|------------------------------|
|     | SG8 | O  | 10     | Payment instructions         |
| 45  | MOA | D  | 1      | Direct debit transfer amount |

| Standard |  | Implementation |        |  |
|----------|--|----------------|--------|--|
| Tag      | Name                                   | St             | Format | Usage / remark                                     |
| C516     | Monetary amount                        | M              |        | M  |
| 5025     | Monetary amount type code<br>qualifier | M              | an..3  | M an..3<br><b>372</b> Direct debit transfer amount |
| 5004     | Monetary amount                        | C              | n..35  | R n..35    Direct debit transfer amount            |
| 6345     | Currency identification code           | C              | an..3  | O an..3    Code specifying a monetary unit.        |
| 6343     | Currency type code qualifier           | C              | an..3  | N    Not used                                      |
| 4405     | Status description code                | C              | an..3  | N    Not used                                      |

Used only when the payment is made by direct debit transfer.

Sample segment:

**MOA+372 : 9 : EUR '**

Tag = tag; No. = consecutive segment number in the guide; MaxRep = maximum repetition; St = status (M=mandatory, C=conditional, R=required, O=optional, D=dependent, A=advised)



## Segments

| No. | Tag        | St | MaxRep | Name  |
|-----|------------|----|--------|---|
|     | <b>SG8</b> | O  | 10     | Payment instructions                              |
| 46  | <b>PAI</b> | D  | 1      | Indicator for payment with direct debit procedure |

| Standard |                                   | Implementation |        |   |
|----------|-----------------------------------|----------------|--------|---|
| Tag      | Name                              | St             | Format | Usage / remark  |
| C534     | Payment instruction details       | M              |        | M   |
| 4439     | Payment conditions code           | C              | an..3  | N    Not used   |
| 4431     | Payment guarantee means code      | C              | an..3  | N    Not used   |
| 4461     | Payment means code                | C              | an..3  | R    an..3<br><br><b>49</b> Direct debit<br><b>57</b> Standing agreement<br><b>58</b> SEPA credit transfer<br><b>59</b> SEPA direct debit |
| 1131     | Code list identification code     | C              | an..17 | N    Not used   |
| 3055     | Code list responsible agency code | C              | an..3  | N    Not used   |
| 4435     | Payment channel code              | C              | an..3  | N    Not used   |

This segment is used to indicate payment with direct debit procedure.

Sample segment:

**PAI+ : : 49 '**

Tag = tag; No. = consecutive segment number in the guide; MaxRep = maximum repetition; St = status (M=mandatory, C=conditional, R=required, O=optional, D=dependent, A=advised)

## Segments

| No. | Tag        | St | MaxRep | Name                              |
|-----|------------|----|--------|-----------------------------------|
|     | <b>SG8</b> | O  | 10     | Payment instructions              |
| 47  | <b>FII</b> | O  | 1      | Financial institution information |

| Standard |                                   | Implementation |        |    |  |
|----------|-----------------------------------|----------------|--------|----|--|
| Tag      | Name                              | St             | Format | St | Format Usage / remark  |
| 3035     | Party function code qualifier     | M              | an..3  | M  | an..3<br><b>RH</b> Seller's financial institution  |
| C078     | Account holder identification     | C              |        | R  |  |
| 3194     | Account holder identifier         | C              | an..35 | R  | an..35 IBAN / Account number at the financial institution where this account is held.                  |
| 3192     | Account holder name               | C              | an..35 | O  | an..35 Name of the official account holder, as registered with a financial institution.                |
| 3192     | Account holder name               | C              | an..35 | O  | an..35   |
| 6345     | Currency identification code      | C              | an..3  | N  | Not used   |
| C088     | Institution identification        | C              |        | O  | Details to identify or reference a financial institution according to legal and business requirements. |
| 3433     | Institution name code             | C              | an..11 | O  | an..11 Bank identifier as assigned by S.W.I.F.T. organisation.   |
| 1131     | Code list identification code     | C              | an..17 | N  | Not used   |
| 3055     | Code list responsible agency code | C              | an..3  | O  | an..3<br><b>17</b> S.W.I.F.T.  |
| 3434     | Institution branch identifier     | C              | an..17 | O  | an..17 A unique number allocated to identify a financial institution.                                  |
| 1131     | Code list identification code     | C              | an..17 | O  | an..17 Identifier of a code list, assigned by the responsible organisation or agency                   |
| 3055     | Code list responsible agency code | C              | an..3  | O  | an..3 Agency responsible for code list / identifier maintenance  |
| 3432     | Institution name                  | C              | an..70 | O  | an..70 The name of the financial institution   |
| 3436     | Institution branch location name  | C              | an..70 | N  | Not used   |
| 3207     | Country identifier                | C              | an..3  | N  | Not used   |

Seller's account information. Buyer's account information

Sample segment:

**FII+RH+4433221100:Kontoinhaber1:Kontoinhaber2+:::10090000:25:131:Volksbank**

,

Tag = tag; No. = consecutive segment number in the guide; MaxRep = maximum repetition; St = status (M=mandatory, C=conditional, R=required, O=optional, D=dependent, A=advised)

## Segments

| No. | Tag        | St | MaxRep | Name                          |
|-----|------------|----|--------|-------------------------------|
|     | <b>SG8</b> | O  | 10     | Buyer's financial institution |
| 48  | <b>PYT</b> | M  | 1      | Payment terms                 |

| Standard |                                      | Implementation |        |    |   |
|----------|--------------------------------------|----------------|--------|----|---|
| Tag      | Name                                 | St             | Format | St | Format Usage / remark   |
| 4279     | Payment terms type code qualifier    | M              | an..3  | M  | an..3 Qualifier for payment terms.<br><b>1</b> Basic<br><b>22</b> Discount<br><b>78</b> Factoring |
| C019     | Payment terms                        | C              |        | N  | Not used  |
| 4277     | Payment terms description identifier | C              | an..17 | N  | Not used  |
| 1131     | Code list identification code        | C              | an..17 | N  | Not used  |
| 3055     | Code list responsible agency code    | C              | an..3  | N  | Not used  |
| 4276     | Payment terms description            | C              | an..35 | N  | Not used  |
| 2475     | Event time reference code            | C              | an..3  | N  | Not used  |
| 2009     | Terms time relation code             | C              | an..3  | N  | Not used  |
| 2151     | Period type code                     | C              | an..3  | N  | Not used  |
| 2152     | Period count quantity                | C              | n..3   | N  | Not used  |

Sample segment:

**PYT+1** '

Tag = tag; No. = consecutive segment number in the guide; MaxRep = maximum repetition; St = status (M=mandatory, C=conditional, R=required, O=optional, D=dependent, A=advised)

## Segments

| No. | Tag        | St | MaxRep | Name                              |
|-----|------------|----|--------|-----------------------------------|
|     | <b>SG8</b> | O  | 10     | Buyer's financial institution     |
| 49  | <b>FII</b> | O  | 2      | Financial institution information |

| Standard |                                   | Implementation |        |  |
|----------|-----------------------------------|----------------|--------|--|
| Tag      | Name                              | St             | Format | St Format Usage / remark   |
| 3035     | Party function code qualifier     | M              | an..3  | M an..3<br><b>BI</b> Buyer's financial institution   |
| C078     | Account holder identification     | C              |        | R  |
| 3194     | Account holder identifier         | C              | an..35 | R an..35 IBAN / Account number at the financial institution where this account is held.                  |
| 3192     | Account holder name               | C              | an..35 | O an..35 Name of the official account holder, as registered with a financial institution.                |
| 3192     | Account holder name               | C              | an..35 | O an..35   |
| 6345     | Currency identification code      | C              | an..3  | N Not used   |
| C088     | Institution identification        | C              |        | O Details to identify or reference a financial institution according to legal and business requirements. |
| 3433     | Institution name code             | C              | an..11 | O an..11 Bank identifier as assigned by S.W.I.F.T. organisation. (BIC)                                   |
| 1131     | Code list identification code     | C              | an..17 | N Not used   |
| 3055     | Code list responsible agency code | C              | an..3  | O an..3<br><b>17</b> S.W.I.F.T.  |
| 3434     | Institution branch identifier     | C              | an..17 | O an..17 A unique number allocated to identify a financial institution.                                  |
| 1131     | Code list identification code     | C              | an..17 | O an..17 Identifier of a code list, assigned by the responsible organisation or agency                   |
| 3055     | Code list responsible agency code | C              | an..3  | O an..3 Agency responsible for code list / identifier maintenance  |
| 3432     | Institution name                  | C              | an..70 | O an..70 The name of the financial institution   |
| 3436     | Institution branch location name  | C              | an..70 | N Not used   |
| 3207     | Country identifier                | C              | an..3  | N Not used   |

Buyer's account information is used e.g. in direct debit procedures or for debit notes.

Sample segment:

**FII+BI+4433221100:Kontoinhaber1:Kontoinhaber2+:::10090000:25:131:Volksbank**

,

Tag = tag; No. = consecutive segment number in the guide; MaxRep = maximum repetition; St = status (M=mandatory, C=conditional, R=required, O=optional, D=dependent, A=advised)

## Segments

| No. | Tag        | St | MaxRep | Name                  |
|-----|------------|----|--------|-----------------------|
|     | <b>SG9</b> | O  | 1      | Transport details     |
| 50  | <b>TDT</b> | M  | 1      | Transport information |

| Standard |                                       | Implementation |        |   |
|----------|---------------------------------------|----------------|--------|---|
| Tag      | Name                                  | St             | Format | Usage / remark  |
| 8051     | Transport stage code qualifier        | M              | an..3  | M an..3<br><b>12</b> At departure   |
| 8028     | Means of transport journey identifier | C              | an..17 | O an..17 Conveyance Reference Number<br>Unique reference to a certain journey or departure of a means of transport (generic term).  |
| C220     | Mode of transport                     | C              |        | R   |
| 8067     | Transport mode name code              | C              | an..3  | R an..3<br>Examples:<br>C = Consolidation (which means the shipment is consolidated and possibly transferred to another truck prior to arrival at the ultimate destination,<br>U = Private Parcel Service (vs.public parcel service). Public parcel in the US would be the US Postal Service and private parcel in the US would be United Parcel Service or Federal Express.<br><br>Based on the transport information, the cost associated with the movement of the material varies (which might be initially paid by the supplier or redirected by the customer for billing purposes). Codes indicated with (1) belong to JAI002 code list.<br><br>Code specifying the name of a mode of transport.<br><b>10</b> Maritime transport<br><b>12</b> A railway wagon on a vessel at sea<br><b>20</b> Rail transport<br><b>23</b> Trailers or road vehicles being transported by rail<br><b>30</b> Road transport<br><b>40</b> Air transport<br><b>50</b> Mail<br><b>60</b> Multimodal transport<br><b>70</b> Fixed transport installations<br><b>80</b> Inland water transport<br><b>90</b> Mode unknown<br><b>C</b> Consolidation<br>JAI002<br><b>CE</b> Customer Pickup Customer Expense<br>JAI002<br><b>D</b> Parcel Post<br>JAI002<br><b>E</b> Expedited Truck<br>JAI002<br><b>H</b> Customer Pickup<br>JAI002<br><b>U</b> Private Parcel Service<br>JAI002 |
| 8066     | Transport mode name                   | C              | an..17 | N Not used  |
| C001     | Transport means                       | C              |        | N Not used  |
| 8179     | Transport means description code      | C              | an..8  | N Not used  |

Tag = tag; No. = consecutive segment number in the guide; MaxRep = maximum repetition; St = status (M=mandatory, C=conditional, R=required, O=optional, D=dependent, A=advised)

## Segments

| Standard |  | Implementation |        |    |                       |
|----------|--|----------------|--------|----|-----------------------|
| Tag      | Name   | St             | Format | St | Format Usage / remark |
| 1131     | Code list identification code                  | C              | an..17 | N  | Not used              |
| 3055     | Code list responsible agency code              | C              | an..3  | N  | Not used              |
| 8178     | Transport means description                    | C              | an..17 | N  | Not used              |
| C040     | Carrier  | C              |        | N  | Not used              |
| 3127     | Carrier identifier                             | C              | an..17 | N  | Not used              |
| 1131     | Code list identification code                  | C              | an..17 | N  | Not used              |
| 3055     | Code list responsible agency code              | C              | an..3  | N  | Not used              |
| 3126     | Carrier name                                   | C              | an..35 | N  | Not used              |
| 8101     | Transit direction indicator code               | C              | an..3  | N  | Not used              |
| C401     | Excess transportation information              | C              |        | N  | Not used              |
| 8457     | Excess transportation reason code              | M              | an..3  | N  | Not used              |
| 8459     | Excess transportation responsibility code      | M              | an..3  | N  | Not used              |
| 7130     | Customer shipment authorisation identifier     | C              | an..17 | N  | Not used              |
| C222     | Transport identification                       | C              |        | N  | Not used              |
| 8213     | Transport means identification name identifier | C              | an..35 | N  | Not used              |
| 1131     | Code list identification code                  | C              | an..17 | N  | Not used              |
| 3055     | Code list responsible agency code              | C              | an..3  | N  | Not used              |
| 8212     | Transport means identification name            | C              | an..70 | N  | Not used              |
| 8453     | Transport means nationality code               | C              | an..3  | N  | Not used              |
| 8281     | Transport means ownership indicator code       | C              | an..3  | N  | Not used              |

To specify the transport details such as mode of transport, means of transport, its conveyance reference number and the identification of the means of transport.

Sample segment:

**TDT+12++20'**

Tag = tag; No. = consecutive segment number in the guide; MaxRep = maximum repetition; St = status (M=mandatory, C=conditional, R=required, O=optional, D=dependent, A=advised)

## Segments

| No. | Tag         | St | MaxRep | Name                                   |
|-----|-------------|----|--------|--|
|     | <b>SG16</b> | C  | 9999   | Allowances or charges on invoice level |
| 51  | <b>ALC</b>  | O  | 1      | Allowance or charge                    |

| Standard |   | Implementation |        |   |
|----------|---|----------------|--------|---|
| Tag      | Name                                    | St             | Format | Usage / remark  |
| 5463     | Allowance or charge code qualifier      | M              | an..3  | M an..3<br><b>A</b> Allowance<br><b>C</b> Charge  |
| C552     | Allowance/charge information            | C              |        | N Not used  |
| 1230     | Allowance or charge identifier          | C              | an..35 | N Not used  |
| 5189     | Allowance or charge identification code | C              | an..3  | N Not used  |
| 4471     | Settlement means code                   | C              | an..3  | N Not used  |
| 1227     | Calculation sequence code               | C              | an..3  | N Not used  |
| C214     | Special services identification         | C              |        | C   |
| 7161     | Special service description code        | C              | an..3  | R an..3 Code specifying a special service. Codes according to EDIFACT code list 7161 or JAI032 are applicable. The actually used codes have to be agreed upon mutually. |
| 1131     | Code list identification code           | C              | an..17 | N Not used  |
| 3055     | Code list responsible agency code       | C              | an..3  | C an..3<br><b>6</b> UN/ECE (United Nations - Economic Commission for Europe)<br><b>272</b> Joint Automotive Industry agency   |
| 7160     | Special service description             | C              | an..35 | N Not used  |
| 7160     | Special service description             | C              | an..35 | N Not used  |

This SG has been added to ensure compatibility with the XRechnung. The EU norm 16931 allows these allowances and charges on Invoice level. In the operational business of the automotive industry this segment group shall not be used, especially not when sending invoices to an automotive company. Allowances and charges should be directly related to the price of materials or services. Only logistics costs are applicable (packaging, freight), which are booked onto a separate cost account. These charges are to be transmitted in SG53.

Sample segment:

**ALC+A++++ABK : : 6 '**

Tag = tag; No. = consecutive segment number in the guide; MaxRep = maximum repetition; St = status (M=mandatory, C=conditional, R=required, O=optional, D=dependent, A=advised)

## Segments

| No. | Tag         | St | MaxRep | Name                                   |
|-----|-------------|----|--------|--|
|     | <b>SG16</b> | C  | 9999   | Allowances or charges on invoice level |
| 52  | <b>FTX</b>  | O  | 1      | Charge description text                |

| Standard |                                   | Implementation |         |   |
|----------|-----------------------------------|----------------|---------|---|
| Tag      | Name                              | St             | Format  | St Format Usage / remark                                    |
| 4451     | Text subject code qualifier       | M              | an..3   | M an..3<br><b>ALC</b> Allowance/charge information          |
| 4453     | Free text function code           | C              | an..3   | N Not used  |
| C107     | Text reference                    | C              |         | N Not used  |
| 4441     | Free text description code        | M              | an..17  | N Not used  |
| 1131     | Code list identification code     | C              | an..17  | N Not used  |
| 3055     | Code list responsible agency code | C              | an..3   | N Not used  |
| C108     | Text literal                      | C              |         | R   |
| 4440     | Free text                         | M              | an..512 | M an..256 Additional charge description text                |
| 4440     | Free text                         | C              | an..512 | O an..256 See DE 4440 #1                                    |
| 4440     | Free text                         | C              | an..512 | O an..256 See DE 4440 #1                                    |
| 4440     | Free text                         | C              | an..512 | O an..256 See DE 4440 #1                                    |
| 4440     | Free text                         | C              | an..512 | O an..256 See DE 4440 #1                                    |
| 3453     | Language name code                | C              | an..3   | O an..3 Code specifying the language name. Use ISO 639-1988 |
| 4447     | Free text format code             | C              | an..3   | N Not used  |

Sample segment:

**FTX+ALC+++X:X:X:X+en'**

Tag = tag; No. = consecutive segment number in the guide; MaxRep = maximum repetition; St = status (M=mandatory, C=conditional, R=required, O=optional, D=dependent, A=advised)



## Segments

| No. | Tag  | St | MaxRep | Name                          |
|-----|------|----|--------|-------------------------------|
|     | SG19 | D  | 1      | Allowance/charge - percentage |
| 53  | PCD  | M  | 1      | Allowance/charge Percentage   |

| Standard |                                      | Implementation |        |   |
|----------|--------------------------------------|----------------|--------|---|
| Tag      | Name                                 | St             | Format | St Format Usage / remark  |
| C501     | Percentage details                   | M              |        | M   |
| 5245     | Percentage type code qualifier       | M              | an..3  | M an..3<br><b>8</b> Reduction/surcharge percentage                                    |
| 5482     | Percentage                           | C              | n..10  | R n..10 Allowance or charge value is expressed as a percentage of a specified amount. |
| 5249     | Percentage basis identification code | C              | an..3  | N Not used  |
| 1131     | Code list identification code        | C              | an..17 | N Not used  |
| 3055     | Code list responsible agency code    | C              | an..3  | N Not used  |
| 4405     | Status description code              | C              | an..3  | N Not used  |

Either SG41 (percentage) or SG42 (monetary amount) has to be sent.

Sample segment:

**PCD+8 : 15 '**

Tag = tag; No. = consecutive segment number in the guide; MaxRep = maximum repetition; St = status (M=mandatory, C=conditional, R=required, O=optional, D=dependent, A=advised)

## Segments

| No. | Tag  | St | MaxRep | Name                               |
|-----|------|----|--------|------------------------------------|
|     | SG20 | D  | 1      | Allowance/charge - monetary amount |
| 54  | MOA  | M  | 1      | Allowance/charge - monetary amount |

| Standard |  | Implementation |        |  |
|----------|--|----------------|--------|--|
| Tag      | Name                                   | St             | Format | Usage / remark                                     |
| C516     | Monetary amount                        | M              |        | M  |
| 5025     | Monetary amount type code<br>qualifier | M              | an..3  | M an..3<br><br><b>8</b> Allowance or charge amount |
| 5004     | Monetary amount                        | C              | n..35  | R n..15    Allowance / Charge amount               |
| 6345     | Currency identification code           | C              | an..3  | R an..3    Code specifying a monetary unit.        |
| 6343     | Currency type code qualifier           | C              | an..3  | N    Not used                                      |
| 4405     | Status description code                | C              | an..3  | N    Not used                                      |

Sample segment:

**MOA+8:100:EUR'**

Tag = tag; No. = consecutive segment number in the guide; MaxRep = maximum repetition; St = status (M=mandatory, C=conditional, R=required, O=optional, D=dependent, A=advised)

## Segments

| No. | Tag  | St | MaxRep | Name   |
|-----|------|----|--------|--|
|     | SG22 | O  | 5      | VAT or other tax rate and amount for the allowance or charge |
| 55  | TAX  | M  | 1      | VAT or other tax rate  |

| Standard |  | Implementation |        |  |
|----------|--|----------------|--------|--|
| Tag      | Name   | St             | Format | Usage / remark   |
| 5283     | Duty or tax or fee function code qualifier   | M              | an..3  | M an..3 Code qualifying the function of a duty or tax or fee.<br><b>7 Tax</b>  |
| C241     | Duty/tax/fee type                            | C              |        | R  |
| 5153     | Duty or tax or fee type name code            | C              | an..3  | O an..3<br><b>VAT Value added tax</b>  |
| 1131     | Code list identification code                | C              | an..17 | N Not used   |
| 3055     | Code list responsible agency code            | C              | an..3  | N Not used   |
| 5152     | Duty or tax or fee type name                 | C              | an..35 | N Not used   |
| C533     | Duty/tax/fee account detail                  | C              |        | N Not used   |
| 5289     | Duty or tax or fee account code              | M              | an..6  | N Not used   |
| 1131     | Code list identification code                | C              | an..17 | N Not used   |
| 3055     | Code list responsible agency code            | C              | an..3  | N Not used   |
| 5286     | Duty or tax or fee assessment basis quantity | C              | an..15 | N Not used   |
| C243     | Duty/tax/fee detail                          | C              |        | R  |
| 5279     | Duty or tax or fee rate code                 | C              | an..7  | N Not used   |
| 1131     | Code list identification code                | C              | an..17 | N Not used   |
| 3055     | Code list responsible agency code            | C              | an..3  | N Not used   |
| 5278     | Duty or tax or fee rate                      | C              | an..17 | R n..7 The tax rate (numeric) should be presented as follows: 19.5% ==> :19.5<br><br>Rate (percentage) of the specified tax.   |
| 5273     | Duty or tax or fee rate basis code           | C              | an..12 | N Not used   |
| 1131     | Code list identification code                | C              | an..17 | N Not used   |
| 3055     | Code list responsible agency code            | C              | an..3  | N Not used   |
| 5305     | Duty or tax or fee category code             | C              | an..3  | M an..3 Code specifying a duty or tax or fee category. This code list contains codes referencing to the Sixth EU directive regarding tax exemption and special procedures. Under EU directive and national law, any exemption from tax has to be declared more detailed. There are several provisions in the directive, which allow exemption. In the European environment it is necessary to state this reason whenever the invoice issuer declares an invoice item or the whole invoice to be VAT exempt.<br><b>AE</b> VAT Reverse Charge<br><b>E</b> Exempt from tax<br><b>G</b> Free export item, tax not charged<br><b>O</b> Services outside scope of tax<br><b>S</b> Standard rate<br><b>Z</b> Zero rated goods<br><b>AE3</b> VAT Reverse Charge in bypass transactions |

Tag = tag; No. = consecutive segment number in the guide; MaxRep = maximum repetition; St = status (M=mandatory, C=conditional, R=required, O=optional, D=dependent, A=advised)

## Segments

| Standard |  | Implementation |        |    |   |
|----------|--|----------------|--------|----|---|
| Tag      | Name                                     | St             | Format | St | Format Usage / remark   |
|          |  |                |        |    | JAI003<br><b>K</b> VAT exempt for intra community supply of goods (VAT/IGIC/IPSI not levied due to Intra-community supply rules)<br>JAI003<br><b>L</b> Canary Islands general indirect tax<br>JAI003<br><b>M</b> Tax for production, services and importation in Ceuta and Mlilla<br>JAI003 |
| 3446     | Party tax identifier                     | C              | an..20 | N  | Not used  |
| 1227     | Calculation sequence code                | C              | an..3  | N  | Not used  |
| 5307     | Tax or duty or fee payment due date code | C              | an..3  | O  | an..3<br><br>1 Duty, tax or fee payment due on invoice payment date<br>2 Duty, tax or fee payment due on invoice issue date   |

This segment group is required when VAT is calculated at the line item level. Tax identification is required at the line item level as different goods and services can be taxed at different rates. That concerns VAT as well as different intrastate or interstate tax rates in the US.

Sample segment:

**TAX+7+VAT+++:::19+S+++1'**

Tag = tag; No. = consecutive segment number in the guide; MaxRep = maximum repetition; St = status (M=mandatory, C=conditional, R=required, O=optional, D=dependent, A=advised)

## Segments

| No. | Tag  | St | MaxRep | Name                      |
|-----|------|----|--------|---------------------------|
|     | SG24 | O  | 1      | Adjustments               |
| 56  | AJT  | M  | 1      | Adjustment reason trigger |

| Standard |                                    | Implementation |        |                             |
|----------|------------------------------------|----------------|--------|-----------------------------|
| Tag      | Name                               | St             | Format | St Format Usage / remark    |
| 4465     | Adjustment reason description code | M              | an..3  | M an..3                     |
|          |                                    |                |        | <b>ZZZ</b> Mutually defined |
| 1082     | Line item identifier               | C              | an..6  | N Not used                  |

Sample segment:

**AJT+ZZZ** '

Tag = tag; No. = consecutive segment number in the guide; MaxRep = maximum repetition; St = status (M=mandatory, C=conditional, R=required, O=optional, D=dependent, A=advised)

## Segments

| No. | Tag  | St | MaxRep | Name              |
|-----|------|----|--------|-------------------|
|     | SG24 | O  | 1      | Adjustments       |
| 57  | FTX  | O  | 5      | Adjustment reason |

| Standard |                                   | Implementation |         |    |   |
|----------|-----------------------------------|----------------|---------|----|---|
| Tag      | Name                              | St             | Format  | St | Format Usage / remark                                       |
| 4451     | Text subject code qualifier       | M              | an..3   | M  | an..3<br><b>CHG</b> Change information                      |
| 4453     | Free text function code           | C              | an..3   | N  | Not used  |
| C107     | Text reference                    | C              |         | N  | Not used  |
| 4441     | Free text description code        | M              | an..17  | N  | Not used  |
| 1131     | Code list identification code     | C              | an..17  | N  | Not used  |
| 3055     | Code list responsible agency code | C              | an..3   | N  | Not used  |
| C108     | Text literal                      | C              |         | O  |   |
| 4440     | Free text                         | M              | an..512 | M  | an..256 Adjustment reason, non-structured text information. |
| 4440     | Free text                         | C              | an..512 | O  | an..256 see 4440 # 1  |
| 4440     | Free text                         | C              | an..512 | O  | an..256 see 4440 # 1  |
| 4440     | Free text                         | C              | an..512 | O  | an..256 see 4440 # 1  |
| 4440     | Free text                         | C              | an..512 | O  | an..256 see 4440 # 1  |
| 3453     | Language name code                | C              | an..3   | O  | an..3 Code specifying the language name. Use ISO 639-1988   |
| 4447     | Free text format code             | C              | an..3   | N  | Not used  |

Free text available for additional adjustment related information which cannot be automatically processed.

Sample segment:

**FTX+CHG+++Anpassungsgrund1 : Anpassungsgrund2 : Anpassungsgrund3 : Anpassungsgrund4 : Anpassungsgrund5+de '**

Tag = tag; No. = consecutive segment number in the guide; MaxRep = maximum repetition; St = status (M=mandatory, C=conditional, R=required, O=optional, D=dependent, A=advised)

## Segments

| No. | Tag  | St | MaxRep | Name                         |
|-----|------|----|--------|------------------------------|
|     | SG26 | R  | 900    | Line item section            |
| 58  | LIN  | M  | 1      | Line item and article number |

| Standard |                                   | Implementation |        |    |  |
|----------|-----------------------------------|----------------|--------|----|--|
| Tag      | Name                              | St             | Format | St | Format Usage / remark  |
| 1082     | Line item identifier              | C              | an..6  | R  | n..6 Sequential number generated by the sender to identify a line item within a message. It is recommended to start with value 1 and to increment by 1 for each new line.  |
| 1229     | Action code                       | C              | an..3  | N  | Not used   |
| C212     | Item number identification        | C              |        | O  |  |
| 7140     | Item identifier                   | C              | an..35 | R  | an..35 Information directly relating to the identification of an article by the buyer's identification system.<br>Note: The term article is synonymous to the term item. In the global joint automotive guidelines the term article is used. |
| 7143     | Item type identification code     | C              | an..3  | R  | an..3<br><b>IN</b> Buyer's item number   |
| 1131     | Code list identification code     | C              | an..17 | N  | Not used   |
| 3055     | Code list responsible agency code | C              | an..3  | N  | Not used   |
| C829     | Sub-line information              | C              |        | N  | Not used   |
| 5495     | Sub-line indicator code           | C              | an..3  | N  | Not used   |
| 1082     | Line item identifier              | C              | an..6  | N  | Not used   |
| 1222     | Configuration level number        | C              | n..2   | N  | Not used   |
| 7083     | Configuration operation code      | C              | an..3  | N  | Not used   |

Line item level of an invoice document.

Sample segment:

**LIN+1++Sachnummer : IN'**

Tag = tag; No. = consecutive segment number in the guide; MaxRep = maximum repetition; St = status (M=mandatory, C=conditional, R=required, O=optional, D=dependent, A=advised)

## Segments

| No. | Tag  | St | MaxRep | Name                               |
|-----|------|----|--------|------------------------------------|
|     | SG26 | R  | 900    | Line item section                  |
| 59  | PIA  | O  | 1      | Additional article identifier(s) 1 |

| Standard |                                   | Implementation |        |  |
|----------|-----------------------------------|----------------|--------|--|
| Tag      | Name                              | St             | Format | St Format Usage / remark   |
| 4347     | Product identifier code qualifier | M              | an..3  | M an..3<br><b>1</b> Additional identification  |
| C212     | Item number identification        | M              |        | O  |
| 7140     | Item identifier                   | C              | an..35 | R an..35 Information directly relating to the identification of an item by the seller's identification system.<br>Note: The term article is synonymous to the term item. In the global joint automotive guidelines the term article is used. |
| 7143     | Item type identification code     | C              | an..3  | R an..3<br><b>SA</b> Supplier's article number   |
| 1131     | Code list identification code     | C              | an..17 | N Not used   |
| 3055     | Code list responsible agency code | C              | an..3  | N Not used   |
| C212     | Item number identification        | C              |        | O  |
| 7140     | Item identifier                   | C              | an..35 | R an..35 Customs tariff code   |
| 7143     | Item type identification code     | C              | an..3  | R an..3<br><b>HS</b> Harmonised system   |
| 1131     | Code list identification code     | C              | an..17 | N Not used   |
| 3055     | Code list responsible agency code | C              | an..3  | N Not used   |
| C212     | Item number identification        | C              |        | O  |
| 7140     | Item identifier                   | C              | an..35 | R an..35 Product group / family  |
| 7143     | Item type identification code     | C              | an..3  | R an..3<br><b>GB</b> Buyer's internal product group code   |
| 1131     | Code list identification code     | C              | an..17 | N Not used   |
| 3055     | Code list responsible agency code | C              | an..3  | N Not used   |
| C212     | Item number identification        | C              |        | N Not used   |
| 7140     | Item identifier                   | C              | an..35 | N Not used   |
| 7143     | Item type identification code     | C              | an..3  | N Not used   |
| 1131     | Code list identification code     | C              | an..17 | N Not used   |
| 3055     | Code list responsible agency code | C              | an..3  | N Not used   |
| C212     | Item number identification        | C              |        | N Not used   |
| 7140     | Item identifier                   | C              | an..35 | N Not used   |
| 7143     | Item type identification code     | C              | an..3  | N Not used   |
| 1131     | Code list identification code     | C              | an..17 | N Not used   |
| 3055     | Code list responsible agency code | C              | an..3  | N Not used   |

Sample segment:

**PIA+1+Artikelnummer des Lieferanten:SA+Zolltarifnummer:HS+Interne Artikelgruppennummer:GB '**

Tag = tag; No. = consecutive segment number in the guide; MaxRep = maximum repetition; St = status (M=mandatory, C=conditional, R=required, O=optional, D=dependent, A=advised)



## Segments

| No. | Tag  | St | MaxRep | Name                              |
|-----|------|----|--------|-----------------------------------|
|     | SG26 | R  | 900    | Line item section                 |
| 60  | IMD  | R  | 5      | Description of article or service |

| Standard |                                   | Implementation |         |   |
|----------|-----------------------------------|----------------|---------|---|
| Tag      | Name                              | St             | Format  | St Format Usage / remark  |
| 7077     | Description format code           | C              | an..3   | N Not used  |
| C272     | Item characteristic               | C              |         | N Not used  |
| 7081     | Item characteristic code          | C              | an..3   | N Not used  |
| 1131     | Code list identification code     | C              | an..17  | N Not used  |
| 3055     | Code list responsible agency code | C              | an..3   | N Not used  |
| C273     | Item description                  | C              |         | R   |
| 7009     | Item description code             | C              | an..17  | N Not used  |
| 1131     | Code list identification code     | C              | an..17  | N Not used  |
| 3055     | Code list responsible agency code | C              | an..3   | N Not used  |
| 7008     | Item description                  | C              | an..256 | R an..256 The short name or description of an article or service in plain text. |
| 7008     | Item description                  | C              | an..256 | O an..256 see 7008 # 1  |
| 3453     | Language name code                | C              | an..3   | O an..3 Code specifying the language name. Use ISO 639-1988                     |
| 7383     | Surface or layer code             | C              | an..3   | N Not used  |

Sample segment:

**IMD+ '**

Tag = tag; No. = consecutive segment number in the guide; MaxRep = maximum repetition; St = status (M=mandatory, C=conditional, R=required, O=optional, D=dependent, A=advised)

## Segments

| No. | Tag  | St | MaxRep | Name              |
|-----|------|----|--------|-------------------|
|     | SG26 | R  | 900    | Line item section |
| 61  | QTY  | R  | 1      | Invoiced quantity |

| Standard |                              | Implementation |        |  |
|----------|------------------------------|----------------|--------|--|
| Tag      | Name                         | St             | Format | St Format Usage / remark   |
| C186     | Quantity details             | M              |        | M  |
| 6063     | Quantity type code qualifier | M              | an..3  | M an..3<br><b>47</b> Invoiced quantity                             |
| 6060     | Quantity                     | M              | an..35 | M n..15 Invoiced quantity value                                    |
| 6411     | Measurement unit code        | C              | an..8  | R an..3 Code specifying the unit of measurement. Use UNECE Rec. 20 |

The quantity invoiced is necessary for line items belonging to an invoice, credit or debit note.

Sample segment:

**QTY+47 : :C62 '**

Tag = tag; No. = consecutive segment number in the guide; MaxRep = maximum repetition; St = status (M=mandatory, C=conditional, R=required, O=optional, D=dependent, A=advised)

## Segments

| No. | Tag  | St | MaxRep | Name                       |
|-----|------|----|--------|----------------------------|
|     | SG26 | R  | 900    | Line item section          |
| 62  | QTY  | O  | 1      | Kilometre reading (milage) |

| Standard |                              | Implementation |        |  |
|----------|------------------------------|----------------|--------|--|
| Tag      | Name                         | St             | Format | St Format Usage / remark   |
| C186     | Quantity details             | M              |        | M  |
| 6063     | Quantity type code qualifier | M              | an..3  | M an..3<br><b>372</b> Actual units, cumulative to date   |
| 6060     | Quantity                     | M              | an..35 | M n..15 Kilometre reading (milage)   |
| 6411     | Measurement unit code        | C              | an..8  | R an..3 Code specifying the unit of measurement.<br><b>KMT</b> kilometre<br><b>SMI</b> mile (statute mile) |

This segment is only used if the invoice concerns a vehicle.  
Sample segment:

**QTY+372 : :KMT '**

Tag = tag; No. = consecutive segment number in the guide; MaxRep = maximum repetition; St = status (M=mandatory, C=conditional, R=required, O=optional, D=dependent, A=advised)

## Segments

| No. | Tag         | St | MaxRep | Name   |
|-----|-------------|----|--------|--|
|     | <b>SG26</b> | R  | 900    | Line item section                                      |
| 63  | <b>ALI</b>  | O  | 1      | Country of origin, customs information and booking key |

| Standard |                              |           | Implementation |  |  |
|----------|------------------------------|-----------|----------------|--|--|
| Tag      | Name                         | St Format | St Format      | Usage / remark   |  |
| 3239     | Country of origin identifier | C an..3   | O a2           | Country Of Origin Coded: Country in which goods have been produced or manufactured, according to criteria laid down for the purposes of application of the customs tariff, quantitative restrictions, etc.   |  |
| 9213     | Duty regime type code        | C an..3   | O an..3        | A statement of the full/preferential regime according to which duty is assessed. This indicator is being used to determine the appropriate customs duty. The appropriate preference declaration to all items with the code 'Y' is to be given in the invoice header, FTX+CUS.<br><b>N</b> No, origin is not subject to preference<br>JAI010<br><b>Y</b> Yes, origin is subject to preference<br>JAI010 |  |
| 4183     | Special condition code       | C an..3   | O an..3        | This data element can be used to indicate the booking key that is used for the line item in self billed invoice scenarios.<br><b>67</b> Delivery with change of ownership<br><b>69</b> Supply for consignment<br><b>140</b> Return of goods<br><b>AAA</b> Correction of goods receiving<br>JAI036<br><b>AAB</b> Transport damage<br>JAI036<br><b>AAC</b> Other<br>JAI036                               |  |
| 4183     | Special condition code       | C an..3   | N              | Not used   |  |
| 4183     | Special condition code       | C an..3   | N              | Not used   |  |
| 4183     | Special condition code       | C an..3   | N              | Not used   |  |
| 4183     | Special condition code       | C an..3   | N              | Not used   |  |

Sample segment:

**ALI++N+67'**

Tag = tag; No. = consecutive segment number in the guide; MaxRep = maximum repetition; St = status (M=mandatory, C=conditional, R=required, O=optional, D=dependent, A=advised)

## Segments

| No. | Tag  | St | MaxRep | Name                                |
|-----|------|----|--------|-------------------------------------|
|     | SG26 | R  | 900    | Line item section                   |
| 64  | DTM  | D  | 1      | Delivery or service completion date |

| Standard |  | Implementation |        |  |
|----------|--|----------------|--------|--|
| Tag      | Name   | St             | Format | Usage / remark   |
| C507     | Date/time/period                               | M              |        | M  |
| 2005     | Date or time or period function code qualifier | M              | an..3  | M an..3<br><b>1</b> Service completion date/time, actual |
| 2380     | Date or time or period text                    | C              | an..35 | R n8 Service completion date                             |
| 2379     | Date or time or period format code             | C              | an..3  | R an..3<br><b>102</b> CCYYMMDD                           |

If the line items of an invoice have different delivery or service completion dates, then this date has to be given for each line item. The delivery date on header level contains the last delivery date and is relevant for the allocation of the taxes to a tax period. Sample segment:

**DTM+1 : 20100308 : 102 '**

Tag = tag; No. = consecutive segment number in the guide; MaxRep = maximum repetition; St = status (M=mandatory, C=conditional, R=required, O=optional, D=dependent, A=advised)

## Segments

| No. | Tag  | St | MaxRep | Name                      |
|-----|------|----|--------|---------------------------|
|     | SG26 | R  | 900    | Line item section         |
| 65  | DTM  | O  | 1      | Start of invoicing period |

| Standard |  | Implementation |        |  |
|----------|--|----------------|--------|--|
| Tag      | Name   | St             | Format | St Format Usage / remark                       |
| C507     | Date/time/period                               | M              |        | M  |
| 2005     | Date or time or period function code qualifier | M              | an..3  | M an..3<br><b>167</b> Charge period start date |
| 2380     | Date or time or period text                    | C              | an..35 | R n8   |
| 2379     | Date or time or period format code             | C              | an..3  | C an..3<br><b>102</b> CCYYMMDD                 |

Sample segment:

**DTM+167:::102'**

Tag = tag; No. = consecutive segment number in the guide; MaxRep = maximum repetition; St = status (M=mandatory, C=conditional, R=required, O=optional, D=dependent, A=advised)

## Segments

| No. | Tag  | St | MaxRep | Name                    |
|-----|------|----|--------|-------------------------|
|     | SG26 | R  | 900    | Line item section       |
| 66  | DTM  | O  | 1      | End of invoicing period |

| Standard |  | Implementation |        |  |
|----------|--|----------------|--------|--|
| Tag      | Name   | St             | Format | Usage / remark                               |
| C507     | Date/time/period                               | M              |        | M  |
| 2005     | Date or time or period function code qualifier | M              | an..3  | M an..3<br><b>168</b> Charge period end date |
| 2380     | Date or time or period text                    | C              | an..35 | R n8   |
| 2379     | Date or time or period format code             | C              | an..3  | C an..3<br><b>102</b> CCYYMMDD               |

Sample segment:

**DTM+168:::102'**

Tag = tag; No. = consecutive segment number in the guide; MaxRep = maximum repetition; St = status (M=mandatory, C=conditional, R=required, O=optional, D=dependent, A=advised)

## Segments

| No. | Tag  | St | MaxRep | Name              |
|-----|------|----|--------|-------------------|
|     | SG26 | R  | 900    | Line item section |
| 67  | DTM  | D  | 2      | Delivery date     |

| Standard |  | Implementation |        |    |   |
|----------|--|----------------|--------|----|---|
| Tag      | Name   | St             | Format | St | Format Usage / remark   |
| C507     | Date/time/period                               | M              |        | M  |   |
| 2005     | Date or time or period function code qualifier | M              | an..3  | M  | an..3 Code 2 - requested delivery date supplier to buyer in this transaction (e.g. tier 2 to tier 1)<br>Code 191 - the delivery date the buyer has to meet towards his own customer (e.g. tier 1 to OEM)<br><b>2</b> Delivery date/time, requested<br><b>191</b> Delivery date/time, expected |
| 2380     | Date or time or period text                    | C              | an..35 | R  | n8 The date the buyer asks for actual delivery.   |
| 2379     | Date or time or period format code             | C              | an..3  | R  | an..3<br><b>102</b> CCYYMMDD  |

The delivery date requested (code 2) is the date the buyer has asked the supplier for shipment. If the buyer itself is e.g. a tier 1 supplier (supplier would be tier 2), in addition another delivery date might be specified - the delivery date the tier 1 has to meet towards the OEM.

Sample segment:

**DTM+2 : 20100308 : 102 '**

Tag = tag; No. = consecutive segment number in the guide; MaxRep = maximum repetition; St = status (M=mandatory, C=conditional, R=required, O=optional, D=dependent, A=advised)



## Segments

| No. | Tag  | St | MaxRep | Name               |
|-----|------|----|--------|--------------------|
|     | SG26 | R  | 900    | Line item section  |
| 68  | DTM  | O  | 1      | Goods receipt date |

| Standard |  |           | Implementation |   |                                   |
|----------|--|-----------|----------------|---|-----------------------------------|
| Tag      | Name   | St Format | St Format      | Usage / remark                                  |                                   |
| C507     | Date/time/period                               | M         | M              |   |                                   |
| 2005     | Date or time or period function code qualifier | M an..3   | M an..3        |   | <b>50</b> Goods receipt date/time |
| 2380     | Date or time or period text                    | C an..35  | R n8           | Date when the Ship-to party received a shipment |                                   |
| 2379     | Date or time or period format code             | C an..3   | O an..3        |   | <b>102</b> CCYYMMDD               |

Sample segment:

**DTM+50 : 20100308 : 102 '**

Tag = tag; No. = consecutive segment number in the guide; MaxRep = maximum repetition; St = status (M=mandatory, C=conditional, R=required, O=optional, D=dependent, A=advised)

## Segments

| No. | Tag  | St | MaxRep | Name                         |
|-----|------|----|--------|------------------------------|
|     | SG26 | R  | 900    | Line item section            |
| 69  | DTM  | O  | 1      | Inspection (acceptance) date |

| Standard |  |           | Implementation |   |  |
|----------|--|-----------|----------------|---|--|
| Tag      | Name   | St Format | St Format      | Usage / remark                                      |  |
| C507     | Date/time/period                               | M         | M              |   |  |
| 2005     | Date or time or period function code qualifier | M an..3   | M an..3        | <b>143</b> Consignment acceptance date time, actual |  |
| 2380     | Date or time or period text                    | C an..35  | R n8           | Inspection and acceptance date of delivered goods.  |  |
| 2379     | Date or time or period format code             | C an..3   | O an..3        | <b>102</b> CCYYMMDD                                 |  |

Sample segment:

**DTM+143:20100308:102'**

Tag = tag; No. = consecutive segment number in the guide; MaxRep = maximum repetition; St = status (M=mandatory, C=conditional, R=required, O=optional, D=dependent, A=advised)

## Segments

| No. | Tag  | St | MaxRep | Name                    |
|-----|------|----|--------|-------------------------|
|     | SG26 | R  | 900    | Line item section       |
| 70  | DTM  | O  | 1      | First registration date |

| Standard |  | Implementation |        |    |  |
|----------|--|----------------|--------|----|--|
| Tag      | Name   | St             | Format | St | Format Usage / remark                          |
| C507     | Date/time/period                               | M              |        | M  |  |
| 2005     | Date or time or period function code qualifier | M              | an..3  | M  | an..3<br><b>375</b> Date of first registration |
| 2380     | Date or time or period text                    | C              | an..35 | R  | n8 First registration date                     |
| 2379     | Date or time or period format code             | C              | an..3  | O  | an..3<br><b>102</b> CCYYMMDD                   |

Only necessary if the invoice is issued for an already registered vehicle.  
Sample segment:

**DTM+375 : 20100308 : 102 '**

Tag = tag; No. = consecutive segment number in the guide; MaxRep = maximum repetition; St = status (M=mandatory, C=conditional, R=required, O=optional, D=dependent, A=advised)

## Segments

| No. | Tag         | St | MaxRep | Name                  |
|-----|-------------|----|--------|-----------------------|
|     | <b>SG26</b> | R  | 900    | Line item section     |
| 71  | <b>GIN</b>  | O  | 1000   | Goods identity number |

| Standard |                                      | Implementation |        |   |
|----------|--------------------------------------|----------------|--------|---|
| Tag      | Name                                 | St             | Format | Usage / remark  |
| 7405     | Object identification code qualifier | M              | an..3  | M an..3<br><b>BL</b> Vehicle registration number<br><b>BN</b> Serial number<br><b>VV</b> Vehicle identity number                  |
| C208     | Identity number range                | M              |        | M   |
| 7402     | Object identifier                    | M              | an..35 | R an..35 VIN of the parts / assemblies / car (7405 = VV)<br>Serial number of the article (7405 = BN)<br>License plate (7405 = BL) |
| 7402     | Object identifier                    | C              | an..35 | N Not used  |
| C208     | Identity number range                | C              |        | N Not used  |
| 7402     | Object identifier                    | M              | an..35 | N Not used  |
| 7402     | Object identifier                    | C              | an..35 | N Not used  |
| C208     | Identity number range                | C              |        | N Not used  |
| 7402     | Object identifier                    | M              | an..35 | N Not used  |
| 7402     | Object identifier                    | C              | an..35 | N Not used  |
| C208     | Identity number range                | C              |        | N Not used  |
| 7402     | Object identifier                    | M              | an..35 | N Not used  |
| 7402     | Object identifier                    | C              | an..35 | N Not used  |
| C208     | Identity number range                | C              |        | N Not used  |
| 7402     | Object identifier                    | M              | an..35 | N Not used  |
| 7402     | Object identifier                    | C              | an..35 | N Not used  |

Sample segment:

**GIN+BN+1234567'**

Tag = tag; No. = consecutive segment number in the guide; MaxRep = maximum repetition; St = status (M=mandatory, C=conditional, R=required, O=optional, D=dependent, A=advised)

## Segments

| No. | Tag  | St | MaxRep | Name                   |
|-----|------|----|--------|------------------------|
|     | SG26 | R  | 900    | Line item section      |
| 72  | FTX  | O  | 99     | Terms of delivery text |

| Standard |                                   | Implementation |         |    |  |
|----------|-----------------------------------|----------------|---------|----|--|
| Tag      | Name                              | St             | Format  | St | Format Usage / remark  |
| 4451     | Text subject code qualifier       | M              | an..3   | M  | an..3<br><b>AAR</b> Terms of delivery  |
| 4453     | Free text function code           | C              | an..3   | N  | Not used   |
| C107     | Text reference                    | C              |         | N  | Not used   |
| 4441     | Free text description code        | M              | an..17  | N  | Not used   |
| 1131     | Code list identification code     | C              | an..17  | N  | Not used   |
| 3055     | Code list responsible agency code | C              | an..3   | N  | Not used   |
| C108     | Text literal                      | C              |         | R  |  |
| 4440     | Free text                         | M              | an..512 | R  | an..256 A line of plain, non-structured text information concerning the delivery terms |
| 4440     | Free text                         | C              | an..512 | O  | an..256 see 4440 # 1   |
| 4440     | Free text                         | C              | an..512 | O  | an..256 see 4440 # 1   |
| 4440     | Free text                         | C              | an..512 | O  | an..256 see 4440 # 1   |
| 4440     | Free text                         | C              | an..512 | O  | an..256 see 4440 # 1   |
| 3453     | Language name code                | C              | an..3   | O  | an..3 Code specifying the language name. Use ISO 639-1988                              |
| 4447     | Free text format code             | C              | an..3   | N  | Not used   |

Terms agreed between the seller and the buyer under which the seller undertakes to deliver merchandise to a buyer, given in free text form.

The total number of FTX segments in SG26 shall not exceed 99.

Sample segment:

**FTX+AAR++++ja'**

## Segments

| No. | Tag  | St | MaxRep | Name                      |
|-----|------|----|--------|---------------------------|
|     | SG26 | R  | 900    | Line item section         |
| 73  | FTX  | O  | 99     | Tax exemption reason text |

| Standard |                                   | Implementation |         |  |
|----------|-----------------------------------|----------------|---------|--|
| Tag      | Name                              | St             | Format  | Usage / remark   |
| 4451     | Text subject code qualifier       | M              | an..3   | M an..3<br><b>TXD</b> Tax declaration  |
| 4453     | Free text function code           | C              | an..3   | N Not used   |
| C107     | Text reference                    | C              |         | N Not used   |
| 4441     | Free text description code        | M              | an..17  | N Not used   |
| 1131     | Code list identification code     | C              | an..17  | N Not used   |
| 3055     | Code list responsible agency code | C              | an..3   | N Not used   |
| C108     | Text literal                      | C              |         | R  |
| 4440     | Free text                         | M              | an..512 | M an..256 Tax exemption reason text (reference to the provision in the EU directive in text) |
| 4440     | Free text                         | C              | an..512 | O an..256 See DE 4440 #1   |
| 4440     | Free text                         | C              | an..512 | O an..256 See DE 4440 #1   |
| 4440     | Free text                         | C              | an..512 | O an..256 See DE 4440 #1   |
| 4440     | Free text                         | C              | an..512 | O an..256 See DE 4440 #1   |
| 3453     | Language name code                | C              | an..3   | O an..3 Code specifying the language name. Use ISO 639-1988                                  |
| 4447     | Free text format code             | C              | an..3   | N Not used   |

The total number of FTX segments in SG26 shall not exceed 99.

Sample segment:

**FTX+TXD+++X:X:X:X+aa'**

Tag = tag; No. = consecutive segment number in the guide; MaxRep = maximum repetition; St = status (M=mandatory, C=conditional, R=required, O=optional, D=dependent, A=advised)

## Segments

| No. | Tag  | St | MaxRep | Name                     |
|-----|------|----|--------|--------------------------|
|     | SG26 | R  | 900    | Line item section        |
| 74  | FTX  | O  | 99     | General text information |

| Standard |                                   | Implementation |         |  |
|----------|-----------------------------------|----------------|---------|--|
| Tag      | Name                              | St             | Format  | Usage / remark   |
| 4451     | Text subject code qualifier       | M              | an..3   | M an..3<br><b>AAI</b> General information                                |
| 4453     | Free text function code           | C              | an..3   | N Not used   |
| C107     | Text reference                    | C              |         | N Not used   |
| 4441     | Free text description code        | M              | an..17  | N Not used   |
| 1131     | Code list identification code     | C              | an..17  | N Not used   |
| 3055     | Code list responsible agency code | C              | an..3   | N Not used   |
| C108     | Text literal                      | C              |         | R  |
| 4440     | Free text                         | M              | an..512 | M an..256 Other free text information, e.g. reason for goods return etc. |
| 4440     | Free text                         | C              | an..512 | O an..256 See DE 4440 #1   |
| 4440     | Free text                         | C              | an..512 | O an..256 See DE 4440 #1   |
| 4440     | Free text                         | C              | an..512 | O an..256 See DE 4440 #1   |
| 4440     | Free text                         | C              | an..512 | O an..256 See DE 4440 #1   |
| 3453     | Language name code                | C              | an..3   | O an..3 Code specifying the language name. Use ISO 639-1988              |
| 4447     | Free text format code             | C              | an..3   | N Not used   |

The total number of FTX segments in SG26 shall not exceed 99.

Sample segment:

**FTX+AAI+++X:X:X:X+aa '**

Tag = tag; No. = consecutive segment number in the guide; MaxRep = maximum repetition; St = status (M=mandatory, C=conditional, R=required, O=optional, D=dependent, A=advised)

## Segments

| No. | Tag  | St | MaxRep | Name                                     |
|-----|------|----|--------|--|
|     | SG27 | R  | 1      | Line item net amount                     |
| 75  | MOA  | M  | 1      | Line item net amount in invoice currency |

| Standard |  | Implementation |        |   |
|----------|--|----------------|--------|---|
| Tag      | Name                                   | St             | Format | Usage / remark  |
| C516     | Monetary amount                        | M              |        | M   |
| 5025     | Monetary amount type code<br>qualifier | M              | an..3  | M an..3<br><b>203</b> Line item amount  |
| 5004     | Monetary amount                        | C              | n..35  | R n..15 Value of line item net amount in currency units - for currency<br>refer to CUX segment (invoice currency) |
| 6345     | Currency identification code           | C              | an..3  | R an..3 Code specifying a monetary unit.  |
| 6343     | Currency type code qualifier           | C              | an..3  | N Not used  |
| 4405     | Status description code                | C              | an..3  | N Not used  |

The line item amount is the total related to this line item. It includes rebates and additions but excludes payment discount and VAT.  
 Calculation formula: Net price amount \* invoiced quantity = (invoiced quantity \* gross price) plus / minus allowances or charges.  
 Sample segment:

**MOA+203 : 1000 : EUR '**

Tag = tag; No. = consecutive segment number in the guide; MaxRep = maximum repetition; St = status (M=mandatory, C=conditional, R=required, O=optional, D=dependent, A=advised)



## Segments

| No. | Tag  | St | MaxRep | Name                                       |
|-----|------|----|--------|--|
|     | SG27 | O  | 1      | Line item gross amount                     |
| 76  | MOA  | M  | 1      | Line item gross amount in invoice currency |

| Standard |  | Implementation |        |    |   |
|----------|--|----------------|--------|----|---|
| Tag      | Name                                   | St             | Format | St | Format Usage / remark   |
| C516     | Monetary amount                        | M              |        | M  |   |
| 5025     | Monetary amount type code<br>qualifier | M              | an..3  | M  | an..3   |
|          |  |                |        |    | <b>38</b> Invoice item amount   |
| 5004     | Monetary amount                        | C              | n..35  | R  | n..15 Value of line item gross amount - for currency refer to CUX<br>segment (invoice currency) |
| 6345     | Currency identification code           | C              | an..3  | R  | an..3 Code specifying a monetary unit.  |
| 6343     | Currency type code qualifier           | C              | an..3  | N  | Not used  |
| 4405     | Status description code                | C              | an..3  | N  | Not used  |

The line item gross amount is the total related to this line item (gross price \* invoiced quantity). It excludes rebates, charges, payment discount and VAT.

Sample segment:

**MOA+38 : 1100 : EUR '**

Tag = tag; No. = consecutive segment number in the guide; MaxRep = maximum repetition; St = status (M=mandatory, C=conditional, R=required, O=optional, D=dependent, A=advised)

## Segments

| No. | Tag         | St | MaxRep | Name                  |
|-----|-------------|----|--------|-----------------------|
|     | <b>SG29</b> | R  | 3      | Calculation net price |
| 77  | <b>PRI</b>  | M  | 1      | Price details         |

| Standard |   | Implementation |        |  |
|----------|---|----------------|--------|--|
| Tag      | Name                                      | St             | Format | Usage / remark   |
| C509     | Price information                         | C              |        | R  |
| 5125     | Price code qualifier                      | M              | an..3  | M an..3 The price stated is the net price including allowances/charges. Allowances/charges may be stated for information only.<br><b>AAA</b> Calculation net   |
| 5118     | Price amount                              | C              | n..15  | R n..15 Unit price amount in price currency units  |
| 5375     | Price type code                           | C              | an..3  | N Not used   |
| 5387     | Price specification code                  | C              | an..3  | O an..3 The contract price is assumed to be the default net price. In retrospective price adjustments the old price (AAL), the new price (CON) and the price difference (ABM) can be used. FCR identifies the logistics price which is associated with a certain material. This price will be used in addition to the material price to calculate the value of the material and is not booked onto freight and packaging charges account. It has to be, however, distinguishable from material price.<br><b>AAL</b> Old price<br><b>ABM</b> Base price difference<br><b>CON</b> Contract price<br><b>FCR</b> Freight/charge rate |
| 5284     | Unit price basis quantity                 | C              | n..9   | O n..9 Basis on which the unit price/rate applies.   |
| 6411     | Measurement unit code                     | C              | an..8  | O an..3 Code specifying the unit of measurement.   |
| 5213     | Sub-line item price change operation code | C              | an..3  | N Not used   |

Price including price related allowances or charges (SG43/RTE), this represents the net price applicable to the line. If price related allowances or charges are stated, then only for information purposes.

Sample segment:

**PRI+AAA: 90 : : CON : 1 : C62 '**

Tag = tag; No. = consecutive segment number in the guide; MaxRep = maximum repetition; St = status (M=mandatory, C=conditional, R=required, O=optional, D=dependent, A=advised)

## Segments

| No. | Tag  | St | MaxRep | Name                    |
|-----|------|----|--------|-------------------------|
|     | SG29 | O  | 3      | Calculation gross price |
| 78  | PRI  | M  | 1      | Price details           |

| Standard |   | Implementation |        |  |
|----------|---|----------------|--------|--|
| Tag      | Name                                      | St             | Format | Usage / remark   |
| C509     | Price information                         | C              |        | R  |
| 5125     | Price code qualifier                      | M              | an..3  | M an..3<br><b>AAB</b> Calculation gross  |
| 5118     | Price amount                              | C              | n..15  | R n..15 Unit gross price amount in price currency units  |
| 5375     | Price type code                           | C              | an..3  | N Not used   |
| 5387     | Price specification code                  | C              | an..3  | O an..3 The contract price is considered to be the standard gross price.<br>AAL and ABM are used for retrospective price adjustments.<br><b>AAL</b> Old price<br><b>ABM</b> Base price difference<br><b>CON</b> Contract price |
| 5284     | Unit price basis quantity                 | C              | n..9   | O n..9 Basis on which the unit price/rate applies.   |
| 6411     | Measurement unit code                     | C              | an..8  | O an..3 Code specifying the unit of measurement.   |
| 5213     | Sub-line item price change operation code | C              | an..3  | N Not used   |

Price without price related allowances and charges (SG43/RTE).

Sample segment:

**PRI+AAB:100::CON:1:C62'**

Tag = tag; No. = consecutive segment number in the guide; MaxRep = maximum repetition; St = status (M=mandatory, C=conditional, R=required, O=optional, D=dependent, A=advised)

## Segments

| No. | Tag  | St | MaxRep | Name                   |
|-----|------|----|--------|------------------------|
|     | SG30 | O  | 10     | References to messages |
| 79  | RFF  | M  | 1      | Reference number       |

| Standard |                          | Implementation |        |   |
|----------|--------------------------|----------------|--------|---|
| Tag      | Name                     | St             | Format | St Format Usage / remark  |
| C506     | Reference                | M              |        | M   |
| 1153     | Reference code qualifier | M              | an..3  | R an..3<br>Type of reference, coded<br>In the context of this VDA recommendation the codes are to be interpreted as follows:<br>ON = Frame contract (blanket order) / Order / Purchase order<br>AAN = delivery schedule / instruction (DELFOR or DELJIT, depending on the delivery process)<br>AAQ = number of the (sea going) container used for transport of the goods (mandatory information for certain cross-border-deliveries)<br>AAU = Despatch note / delivery note (synonym)<br>ACE = Reference to an attachment when VDA4983 is used for transmission (XML-Container with INVOIC message and attachments)<br>ALO = Goods receipt number<br>AOU = in the sense of a budget number<br>ATP = Project structure schedule element<br>CR = Demand / requisition notice<br>AIV = other event that has to be referenced (detailed description of the event provided in IMD segment)<br>MH = Manufacturing reference number (JIS process)<br>UCN = unique consignment reference number - use in self billing invoices to refer to a stock movement (taking out of stock) in 3PL scenarios.<br><b>AAJ</b> Delivery order number<br><b>AAK</b> Despatch advice number<br><b>AAN</b> Delivery schedule number<br><b>AAP</b> Partial shipment identifier<br><b>AAQ</b> Transport equipment identifier<br><b>AAU</b> Despatch note document identifier<br><b>ACE</b> Related document number<br><b>ACW</b> Reference number to previous message<br><b>ADE</b> Account number<br><b>AE</b> Authorization for expense (AFE) number<br><b>AIV</b> Event reference number<br><b>AJK</b> Special instructions number<br><b>ALA</b> Procurement budget number<br><b>ALO</b> Receiving advice number<br><b>ALQ</b> Returns notice number<br><b>AOU</b> Cost account<br><b>ATP</b> Cost centre alignment number<br><b>AWE</b> Cost centre<br><b>BO</b> Blanket order number<br><b>CN</b> Carrier's reference number<br><b>CR</b> Customer reference number<br><b>CRN</b> Transport means journey identifier<br><b>DQ</b> Delivery note number<br><b>EX</b> Export permit identifier<br><b>IP</b> Import permit identifier |

Tag = tag; No. = consecutive segment number in the guide; MaxRep = maximum repetition; St = status (M=mandatory, C=conditional, R=required, O=optional, D=dependent, A=advised)

## Segments

| Standard |                          | Implementation |        |             |  |
|----------|--------------------------|----------------|--------|-------------|--|
| Tag      | Name                     | St             | Format | St   Format | Usage / remark   |
|          |                          |                |        |             | <b>MH</b> Manufacturing order number<br><b>ON</b> Order document identifier, buyer assigned<br><b>PS</b> Purchase order number suffix<br><b>UCN</b> Unique consignment reference number<br><b>VN</b> Order number (vendor) |
| 1154     | Reference identifier     | C              | an..70 | R an..35    | Unique identifier of the referenced document   |
| 1156     | Document line identifier | C              | an..6  | O n..6      | Sequential number generated by the sender to identify a line item within a message. It is recommended to start with value 1 and to increment by 1 for each new line.   |
| 1056     | Version identifier       | C              | an..9  | N           | Not used   |
| 1060     | Revision identifier      | C              | an..6  | N           | Not used   |

Sample segment:

**RFF+ON : ORDER1 : 1 '**

Tag = tag; No. = consecutive segment number in the guide; MaxRep = maximum repetition; St = status (M=mandatory, C=conditional, R=required, O=optional, D=dependent, A=advised)

## Segments

| No. | Tag         | St | MaxRep | Name                   |
|-----|-------------|----|--------|------------------------|
|     | <b>SG30</b> | O  | 10     | References to messages |
| 80  | <b>DTM</b>  | O  | 1      | Reference message date |

| Standard |  | Implementation |        |    |   |
|----------|--|----------------|--------|----|---|
| Tag      | Name   | St             | Format | St | Format Usage / remark                   |
| C507     | Date/time/period                               | M              |        | M  |   |
| 2005     | Date or time or period function code qualifier | M              | an..3  | M  | an..3<br><b>171</b> Reference date/time |
| 2380     | Date or time or period text                    | C              | an..35 | R  | n..12 Reference Document Date/Time      |
| 2379     | Date or time or period format code             | C              | an..3  | R  | an..3<br><b>102</b> CCYYMMDD            |

Sample segment:

**DTM+171:20100308:102'**

Tag = tag; No. = consecutive segment number in the guide; MaxRep = maximum repetition; St = status (M=mandatory, C=conditional, R=required, O=optional, D=dependent, A=advised)

## Segments

| No. | Tag  | St | MaxRep | Name   |
|-----|------|----|--------|--|
|     | SG34 | R  | 5      | VAT or other tax rate and amount for line item |
| 81  | TAX  | M  | 1      | VAT or other tax rate                          |

| Standard |  | Implementation |        |  |
|----------|--|----------------|--------|--|
| Tag      | Name   | St             | Format | Usage / remark   |
| 5283     | Duty or tax or fee function code qualifier   | M              | an..3  | M an..3 Code qualifying the function of a duty or tax or fee.<br><b>7 Tax</b>  |
| C241     | Duty/tax/fee type                            | C              |        | R  |
| 5153     | Duty or tax or fee type name code            | C              | an..3  | O an..3 Code specifying a type of duty, tax or fee.<br>Code OTH shall be used when the tax in question is not one of the listed.<br>Code SUR is used to qualify the used part tax, which is additional to VAT (currently 10% of VAT amount due for the used part).<br><b>AAG</b> Harmonised sales tax, Canadian<br><b>AAH</b> Quebec sales tax<br><b>AAI</b> Canadian provincial sales tax<br><b>BOL</b> Stamp duty (Imposta di Bollo)<br><b>GST</b> Goods and services tax<br><b>LOC</b> Local sales tax<br><b>OTH</b> Other taxes<br><b>SUR</b> Surtax<br><b>VAT</b> Value added tax |
| 1131     | Code list identification code                | C              | an..17 | N Not used   |
| 3055     | Code list responsible agency code            | C              | an..3  | N Not used   |
| 5152     | Duty or tax or fee type name                 | C              | an..35 | N Not used   |
| C533     | Duty/tax/fee account detail                  | C              |        | N Not used   |
| 5289     | Duty or tax or fee account code              | M              | an..6  | N Not used   |
| 1131     | Code list identification code                | C              | an..17 | N Not used   |
| 3055     | Code list responsible agency code            | C              | an..3  | N Not used   |
| 5286     | Duty or tax or fee assessment basis quantity | C              | an..15 | N Not used   |
| C243     | Duty/tax/fee detail                          | C              |        | R  |
| 5279     | Duty or tax or fee rate code                 | C              | an..7  | N Not used   |
| 1131     | Code list identification code                | C              | an..17 | N Not used   |
| 3055     | Code list responsible agency code            | C              | an..3  | N Not used   |
| 5278     | Duty or tax or fee rate                      | C              | an..17 | R n..7 The tax rate (numeric) should be presented as follows: 19.5% ==> :19.5<br><br>Rate (percentage) of the specified tax.   |
| 5273     | Duty or tax or fee rate basis code           | C              | an..12 | N Not used   |
| 1131     | Code list identification code                | C              | an..17 | N Not used   |
| 3055     | Code list responsible agency code            | C              | an..3  | N Not used   |
| 5305     | Duty or tax or fee category code             | C              | an..3  | M an..3 Code specifying a duty or tax or fee category.<br>This code list contains codes referencing to the Sixth EU  |

Tag = tag; No. = consecutive segment number in the guide; MaxRep = maximum repetition; St = status (M=mandatory, C=conditional, R=required, O=optional, D=dependent, A=advised)

## Segments

| Standard |  | Implementation |        |   |
|----------|--|----------------|--------|---|
| Tag      | Name                                     | St             | Format | Usage / remark  |
|          |  |                |        | directive regarding tax exemption and special procedures. Under EU directive and national law, any exemption from tax has to be declared more detailed. There are several provisions in the directive, which allow exemption. In the European environment it is necessary to state this reason whenever the invoice issuer declares an invoice item or the whole invoice to be VAT exempt.<br><b>AE</b> VAT Reverse Charge<br><b>E</b> Exempt from tax<br><b>G</b> Free export item, tax not charged<br><b>K</b> VAT exempt for EEA intra-community supply of goods and services<br><b>L</b> Canary Islands general indirect tax<br><b>M</b> Tax for production, services and importation in Ceuta and Melilla<br><b>O</b> Services outside scope of tax<br><b>S</b> Standard rate<br><b>Z</b> Zero rated goods<br><b>AE3</b> VAT Reverse Charge in bypass transactions<br>JAI003 |
| 3446     | Party tax identifier                     | C              | an..20 | N Not used  |
| 1227     | Calculation sequence code                | C              | an..3  | N Not used  |
| 5307     | Tax or duty or fee payment due date code | C              | an..3  | O an..3<br><br>1 Duty, tax or fee payment due on invoice payment date<br>2 Duty, tax or fee payment due on invoice issue date   |

This segment group is required when VAT is calculated at the line item level. Tax identification is required at the line item level as different goods and services can be taxed at different rates. That concerns VAT as well as different intrastate or interstate tax rates in the US.

Sample segment:

**TAX+7+VAT+++ : : 19+S+++1 '**

Tag = tag; No. = consecutive segment number in the guide; MaxRep = maximum repetition; St = status (M=mandatory, C=conditional, R=required, O=optional, D=dependent, A=advised)



## Segments

| No. | Tag  | St | MaxRep | Name         |
|-----|------|----|--------|--------------|
|     | SG35 | O  | 1      | Manufacturer |
| 82  | NAD  | M  | 1      | Manufacturer |

| Standard |   |           | Implementation |   |  |
|----------|---|-----------|----------------|---|--|
| Tag      | Name  | St Format | St Format      | Usage / remark  |  |
| 3035     | Party function code qualifier                   | M an..3   | M an..3        | <b>MF</b> Manufacturer of goods   |  |
| C082     | Party identification details                    | C         | O              |   |  |
| 3039     | Party identifier                                | M an..35  | M an..35       | Unique identification of a party by an ID (customer number, supplier number, DUNS or similar).  |  |
| 1131     | Code list identification code                   | C an..17  | N              | Not used  |  |
| 3055     | Code list responsible agency code               | C an..3   | R an..3        | Agency responsible for code list / identifier maintenance<br><b>10</b> ODETTE<br><b>16</b> US, D&B (Dun & Bradstreet Corporation)<br><b>91</b> Assigned by seller or seller's agent<br><b>92</b> Assigned by buyer or buyer's agent |  |
| C058     | Name and address                                | C         | N              | Not used  |  |
| 3124     | Name and address description                    | M an..35  | N              | Not used  |  |
| 3124     | Name and address description                    | C an..35  | N              | Not used  |  |
| 3124     | Name and address description                    | C an..35  | N              | Not used  |  |
| 3124     | Name and address description                    | C an..35  | N              | Not used  |  |
| 3124     | Name and address description                    | C an..35  | N              | Not used  |  |
| C080     | Party name                                      | C         | O              |   |  |
| 3036     | Party name                                      | M an..35  | M an..35       | Single text line for specification of a name  |  |
| 3036     | Party name                                      | C an..35  | O an..35       | see 3036 # 1  |  |
| 3036     | Party name                                      | C an..35  | O an..35       | see 3036 # 1  |  |
| 3036     | Party name                                      | C an..35  | O an..35       | see 3036 # 1  |  |
| 3036     | Party name                                      | C an..35  | N              | Not used  |  |
| 3045     | Party name format code                          | C an..3   | N              | Not used  |  |
| C059     | Street  | C         | O              |   |  |
| 3042     | Street and number or post office box identifier | M an..35  | M an..35       | The name that identifies the location of a house or building: usually within a street as part of an address.  |  |
| 3042     | Street and number or post office box identifier | C an..35  | O an..35       | see 3042 # 1  |  |
| 3042     | Street and number or post office box identifier | C an..35  | N              | Not used  |  |
| 3042     | Street and number or post office box identifier | C an..35  | N              | Not used  |  |
| 3164     | City name                                       | C an..35  | O an..35       | The name of the city, town, or village of this address.   |  |
| C819     | Country subdivision details                     | C         | N              | Not used  |  |
| 3229     | Country subdivision identifier                  | C an..9   | N              | Not used  |  |
| 1131     | Code list identification code                   | C an..17  | N              | Not used  |  |
| 3055     | Code list responsible agency code               | C an..3   | N              | Not used  |  |

Tag = tag; No. = consecutive segment number in the guide; MaxRep = maximum repetition; St = status (M=mandatory, C=conditional, R=required, O=optional, D=dependent, A=advised)

## Segments

| Standard |                            | Implementation |        |    |   |
|----------|----------------------------|----------------|--------|----|---|
| Tag      | Name                       | St             | Format | St | Format Usage / remark   |
| 3228     | Country subdivision name   | C              | an..70 | N  | Not used  |
| 3251     | Postal identification code | C              | an..17 | O  | an..17 The identifier for one or more properties according to the postal service of that country; a group of letters and/or numbers added to the postal address to assist in the sorting of mail. |
| 3207     | Country identifier         | C              | an..3  | O  | a2 Provides the country part of an address using a code. Use ISO3166 two alpha code.  |

Party who manufactures the goods.

Sample segment:

**NAD+MF+++Name1 : Name2 : Name3 : Name4+++++DE '**

Tag = tag; No. = consecutive segment number in the guide; MaxRep = maximum repetition; St = status (M=mandatory, C=conditional, R=required, O=optional, D=dependent, A=advised)

## Segments

| No. | Tag         | St | MaxRep | Name                       |
|-----|-------------|----|--------|----------------------------|
|     | <b>SG35</b> | O  | 1      | Ship-to party              |
| 83  | <b>NAD</b>  | M  | 1      | Ship-to's name and address |

| Standard |   | Implementation |        |   |
|----------|---|----------------|--------|---|
| Tag      | Name  | St             | Format | Usage / remark  |
| 3035     | Party function code qualifier                   | M              | an..3  | M an..3<br><b>ST</b> Ship to  |
| C082     | Party identification details                    | C              |        | O   |
| 3039     | Party identifier                                | M              | an..35 | M an..35 In case of production materials deliveries this is usually the plant number of the receiving plant. Unique identification of a party by an ID (customer number, supplier number, DUNS or similar).                                 |
| 1131     | Code list identification code                   | C              | an..17 | N Not used  |
| 3055     | Code list responsible agency code               | C              | an..3  | R an..3 Agency responsible for code list / identifier maintenance<br><b>10</b> ODETTE<br><b>16</b> US, D&B (Dun & Bradstreet Corporation)<br><b>91</b> Assigned by seller or seller's agent<br><b>92</b> Assigned by buyer or buyer's agent |
| C058     | Name and address                                | C              |        | N Not used  |
| 3124     | Name and address description                    | M              | an..35 | N Not used  |
| 3124     | Name and address description                    | C              | an..35 | N Not used  |
| 3124     | Name and address description                    | C              | an..35 | N Not used  |
| 3124     | Name and address description                    | C              | an..35 | N Not used  |
| 3124     | Name and address description                    | C              | an..35 | N Not used  |
| C080     | Party name                                      | C              |        | O   |
| 3036     | Party name                                      | M              | an..35 | M an..35 Single text line for specification of a name   |
| 3036     | Party name                                      | C              | an..35 | O an..35 see 3036 # 1   |
| 3036     | Party name                                      | C              | an..35 | O an..35 see 3036 # 1   |
| 3036     | Party name                                      | C              | an..35 | O an..35 see 3036 # 1   |
| 3036     | Party name                                      | C              | an..35 | N Not used  |
| 3045     | Party name format code                          | C              | an..3  | N Not used  |
| C059     | Street  | C              |        | O   |
| 3042     | Street and number or post office box identifier | M              | an..35 | M an..35 The name that identifies the location of a house or building: usually within a street as part of an address.   |
| 3042     | Street and number or post office box identifier | C              | an..35 | O an..35 see 3042 # 1   |
| 3042     | Street and number or post office box identifier | C              | an..35 | N Not used  |
| 3042     | Street and number or post office box identifier | C              | an..35 | N Not used  |
| 3164     | City name                                       | C              | an..35 | O an..35 The name of the city, town, or village of this address.  |
| C819     | Country subdivision details                     | C              |        | N Not used  |
| 3229     | Country subdivision identifier                  | C              | an..9  | N Not used  |

Tag = tag; No. = consecutive segment number in the guide; MaxRep = maximum repetition; St = status (M=mandatory, C=conditional, R=required, O=optional, D=dependent, A=advised)

## Segments

| Standard |                                   | Implementation |        |    |   |
|----------|-----------------------------------|----------------|--------|----|---|
| Tag      | Name                              | St             | Format | St | Format Usage / remark   |
| 1131     | Code list identification code     | C              | an..17 | N  | Not used  |
| 3055     | Code list responsible agency code | C              | an..3  | N  | Not used  |
| 3228     | Country subdivision name          | C              | an..70 | N  | Not used  |
| 3251     | Postal identification code        | C              | an..17 | O  | an..17 The identifier for one or more properties according to the postal service of that country; a group of letters and/or numbers added to the postal address to assist in the sorting of mail. |
| 3207     | Country identifier                | C              | an..3  | O  | a2 Provides the country part of an address using a code. Use ISO3166 two alpha code.  |

The party to which goods are to be shipped (consigned).

If the ship-to party has been specified on header level this segment may be used merely as trigger for place of discharge, in which case the name and address information can be omitted.

Sample segment:

**NAD+ST+12345++Name1 : Name2 : Name3 : Name4+++++DE '**

Tag = tag; No. = consecutive segment number in the guide; MaxRep = maximum repetition; St = status (M=mandatory, C=conditional, R=required, O=optional, D=dependent, A=advised)

## Segments

| No. | Tag         | St | MaxRep | Name               |
|-----|-------------|----|--------|--------------------|
|     | <b>SG35</b> | O  | 1      | Ship-to party      |
| 84  | <b>LOC</b>  | O  | 1      | Place of discharge |

| Standard |                                     | Implementation |         |  |
|----------|-------------------------------------|----------------|---------|--|
| Tag      | Name                                | St             | Format  | Usage / remark   |
| 3227     | Location function code qualifier    | M              | an..3   | M an..3<br><b>11 Place of discharge</b>                |
| C517     | Location identification             | C              |         | R  |
| 3225     | Location identifier                 | C              | an..35  | N Not used   |
| 1131     | Code list identification code       | C              | an..17  | N Not used   |
| 3055     | Code list responsible agency code   | C              | an..3   | N Not used   |
| 3224     | Location name                       | C              | an..256 | R an..35 Name of place/location, other than city name. |
| C519     | Related location one identification | C              |         | N Not used   |
| 3223     | First related location identifier   | C              | an..35  | N Not used   |
| 1131     | Code list identification code       | C              | an..17  | N Not used   |
| 3055     | Code list responsible agency code   | C              | an..3   | N Not used   |
| 3222     | First related location name         | C              | an..70  | N Not used   |
| C553     | Related location two identification | C              |         | N Not used   |
| 3233     | Second related location identifier  | C              | an..35  | N Not used   |
| 1131     | Code list identification code       | C              | an..17  | N Not used   |
| 3055     | Code list responsible agency code   | C              | an..3   | N Not used   |
| 3232     | Second related location name        | C              | an..70  | N Not used   |
| 5479     | Relation code                       | C              | an..3   | N Not used   |

Place of discharge: seaport, airport, freight terminal, rail station or other place at which the goods (cargo) are unloaded from the means of transport having been used for their carriage.

Sample segment:

**LOC+11+ : : Gate1 '**

Tag = tag; No. = consecutive segment number in the guide; MaxRep = maximum repetition; St = status (M=mandatory, C=conditional, R=required, O=optional, D=dependent, A=advised)

## Segments

| No. | Tag         | St | MaxRep | Name   |
|-----|-------------|----|--------|--|
|     | <b>SG35</b> | O  | 1      | Ship-to party                                  |
| 85  | <b>LOC</b>  | O  | 1      | Place of delivery or warehouse after discharge |

| Standard |                                     | Implementation |         |    |  |
|----------|-------------------------------------|----------------|---------|----|--|
| Tag      | Name                                | St             | Format  | St | Format Usage / remark                                      |
| 3227     | Location function code qualifier    | M              | an..3   | M  | an..3<br><b>7</b> Place of delivery<br><b>18</b> Warehouse |
| C517     | Location identification             | C              |         | R  |  |
| 3225     | Location identifier                 | C              | an..35  | N  | Not used   |
| 1131     | Code list identification code       | C              | an..17  | N  | Not used   |
| 3055     | Code list responsible agency code   | C              | an..3   | N  | Not used   |
| 3224     | Location name                       | C              | an..256 | R  | an..35 Name of place/location of delivery or warehouse     |
| C519     | Related location one identification | C              |         | N  | Not used   |
| 3223     | First related location identifier   | C              | an..35  | N  | Not used   |
| 1131     | Code list identification code       | C              | an..17  | N  | Not used   |
| 3055     | Code list responsible agency code   | C              | an..3   | N  | Not used   |
| 3222     | First related location name         | C              | an..70  | N  | Not used   |
| C553     | Related location two identification | C              |         | N  | Not used   |
| 3233     | Second related location identifier  | C              | an..35  | N  | Not used   |
| 1131     | Code list identification code       | C              | an..17  | N  | Not used   |
| 3055     | Code list responsible agency code   | C              | an..3   | N  | Not used   |
| 3232     | Second related location name        | C              | an..70  | N  | Not used   |
| 5479     | Relation code                       | C              | an..3   | N  | Not used   |

An internal location within the ship-to's premises, where goods are moved to after they have been unloaded, e.g. an assembly line, an internal warehouse, etc.

Sample segment:

**LOC+7+:::Halle 1 Platz 5'**

Tag = tag; No. = consecutive segment number in the guide; MaxRep = maximum repetition; St = status (M=mandatory, C=conditional, R=required, O=optional, D=dependent, A=advised)

## Segments

| No. | Tag  | St | MaxRep | Name                          |
|-----|------|----|--------|-------------------------------|
|     | SG36 | O  | 4      | Ship-to's reference number(s) |
| 86  | RFF  | M  | 1      | Ship-to's reference number(s) |

| Standard |                          | Implementation |        |  |
|----------|--------------------------|----------------|--------|--|
| Tag      | Name                     | St             | Format | Usage / remark   |
| C506     | Reference                | M              |        | M  |
| 1153     | Reference code qualifier | M              | an..3  | M an..3<br><b>ADE</b> Account number<br><b>FC</b> Fiscal number<br><b>VA</b> VAT registration number<br><b>XA</b> Company/place registration number<br><b>PE</b> Plant number  |
| 1154     | Reference identifier     | C              | an..70 | R an..35<br>Identifier of a company in the commercial registry<br>Tax payer's number. Number assigned to individual persons as well as to corporates by a public institution; this number is different from the VAT registration number.<br>The account ID of a party, allocated by a trading partner for the debits or credits account used within the internal information processing and financial system. There is not always a one to one relationship between this number and the party's identification number.<br>Unique number assigned by the relevant tax authority to identify a party for use in relation to Value Added Tax (VAT). |
| 1156     | Document line identifier | C              | an..6  | N Not used   |
| 1056     | Version identifier       | C              | an..9  | N Not used   |
| 1060     | Revision identifier      | C              | an..6  | N Not used   |

Sample segment:

**RFF+ADE : 987654321 '**

Tag = tag; No. = consecutive segment number in the guide; MaxRep = maximum repetition; St = status (M=mandatory, C=conditional, R=required, O=optional, D=dependent, A=advised)

## Segments

| No. | Tag         | St | MaxRep | Name                |
|-----|-------------|----|--------|---------------------|
|     | <b>SG38</b> | O  | 5      | Ship-to's contact   |
| 87  | <b>CTA</b>  | M  | 1      | Contact information |

| Standard |                       |           | Implementation |   |  |
|----------|-----------------------|-----------|----------------|---|--|
| Tag      | Name                  | St Format | St Format      | Usage / remark  |  |
| 3139     | Contact function code | C an..3   | C an..3        | <b>AC</b> Accepting contact<br><b>AD</b> Accounting contact<br><b>PD</b> Purchasing contact                 |  |
| C056     | Contact details       | C         | O              |   |  |
| 3413     | Contact identifier    | C an..17  | O an..17       | Identifies the department or employee by a unique identifier other than their name when given as a contact. |  |
| 3412     | Contact name          | C an..256 | O an..256      | Name of the contact person or department  |  |

Sample segment:

**CTA+PD+Abt. WE:Herr Schulze'**

Tag = tag; No. = consecutive segment number in the guide; MaxRep = maximum repetition; St = status (M=mandatory, C=conditional, R=required, O=optional, D=dependent, A=advised)



## Segments

| No. | Tag         | St | MaxRep | Name                  |
|-----|-------------|----|--------|-----------------------|
|     | <b>SG38</b> | O  | 5      | Ship-to's contact     |
| 88  | <b>COM</b>  | O  | 3      | Communication contact |

| Standard |                                  | Implementation |         |  |
|----------|----------------------------------|----------------|---------|--|
| Tag      | Name                             | St             | Format  | Usage / remark   |
| C076     | Communication contact            | M              |         | M  |
| 3148     | Communication address identifier | M              | an..512 | M an..100  |
| 3155     | Communication means type code    | M              | an..3   | M an..3<br><b>TE</b> Telephone<br><b>FX</b> Telefax<br><b>EM</b> Electronic mail |

Sample segment:

**COM+030 8978420:EM'**

Tag = tag; No. = consecutive segment number in the guide; MaxRep = maximum repetition; St = status (M=mandatory, C=conditional, R=required, O=optional, D=dependent, A=advised)

## Segments

| No. | Tag         | St | MaxRep | Name                  |
|-----|-------------|----|--------|-----------------------|
|     | <b>SG39</b> | O  | 10     | Allowances or charges |
| 89  | <b>ALC</b>  | M  | 1      | Allowance/charge      |

| Standard |   | Implementation |        |   |
|----------|---|----------------|--------|---|
| Tag      | Name                                    | St             | Format | Usage / remark  |
| 5463     | Allowance or charge code qualifier      | M              | an..3  | R an..3<br><b>A</b> Allowance<br><b>C</b> Charge  |
| C552     | Allowance/charge information            | C              |        | N Not used  |
| 1230     | Allowance or charge identifier          | C              | an..35 | N Not used  |
| 5189     | Allowance or charge identification code | C              | an..3  | N Not used  |
| 4471     | Settlement means code                   | C              | an..3  | N Not used  |
| 1227     | Calculation sequence code               | C              | an..3  | N Not used  |
| C214     | Special services identification         | C              |        | O   |
| 7161     | Special service description code        | C              | an..3  | R an..3 Code specifying a special service. Codes according to EDIFACT code list 7161 or JAI032 are applicable. The actually used codes have to be agreed upon mutually.<br><b>330</b> Bonus<br>JAI032 |
| 1131     | Code list identification code           | C              | an..17 | N Not used  |
| 3055     | Code list responsible agency code       | C              | an..3  | O an..3<br><b>6</b> UN/ECE (United Nations - Economic Commission for Europe)<br><b>272</b> Joint Automotive Industry agency   |
| 7160     | Special service description             | C              | an..35 | N Not used  |
| 7160     | Special service description             | C              | an..35 | N Not used  |

In principle, invoice in the automotive industry have to include the last price including all allowances and charges related to the line item. In addition gross prices can be stated (prices before A / C have been applied - SG43/RTE , without VAT). Other allowances / cahrges shall not be used. They are either incorporated in the net price or represented as a separate line item.

In the EN 16931 and the German implementation, the XRechnung, the options are somewhat wider: Every line item has to state the net price, which is calculated as gross price minus price allowances (SG43) per price unit. Beside this there can be allowances and charges as lump sum or percentage which are related to the product net price \* invoiced quantity.

Since there is the intention to accept invoices compliant to the EU norm, this guideline from version 2.4 onwards allows to use SG41/PCD and SG42/MOA for this purpose.

Calculation example:  
 Part number: ABC123  
 Description: Moulding ABC123  
 Gross price: 110.00 EUR / piece  
 Price allowance: 10.00 EUR / piece (SG43/RTE)  
 Net price 100.00 EUR /piece  
 Invoiced quantity: 10 pieces  
 Sub total: 1000.00 EUR  
 Line item charge: 50.00 EUR (SG42/MOA)  
 Sub total: 1050.00 EUR

Tag = tag; No. = consecutive segment number in the guide; MaxRep = maximum repetition; St = status (M=mandatory, C=conditional, R=required, O=optional, D=dependent, A=advised)

## Segments

Line item allowance: 10% (=105.00 EUR)(SG41/PCD)  
Total: 945.00 EUR

However, in the day-to-day operational business with "traditional" EDI invoices the SG41 and SG42 shall not be used.  
Sample segment:

**ALC+A++++330 : : 6 '**

Tag = tag; No. = consecutive segment number in the guide; MaxRep = maximum repetition; St = status (M=mandatory, C=conditional, R=required, O=optional, D=dependent, A=advised)

## Segments

| No. | Tag  | St | MaxRep | Name                         |
|-----|------|----|--------|------------------------------|
|     | SG39 | O  | 10     | Allowances or charges        |
| 90  | FTX  | O  | 1      | Allowance/charge description |

| Standard |                                   | Implementation |         |    |   |
|----------|-----------------------------------|----------------|---------|----|---|
| Tag      | Name                              | St             | Format  | St | Format Usage / remark                                     |
| 4451     | Text subject code qualifier       | M              | an..3   | M  | an..3<br><b>ALC</b> Allowance/charge information          |
| 4453     | Free text function code           | C              | an..3   | N  | Not used  |
| C107     | Text reference                    | C              |         | N  | Not used  |
| 4441     | Free text description code        | M              | an..17  | N  | Not used  |
| 1131     | Code list identification code     | C              | an..17  | N  | Not used  |
| 3055     | Code list responsible agency code | C              | an..3   | N  | Not used  |
| C108     | Text literal                      | C              |         | R  |   |
| 4440     | Free text                         | M              | an..512 | O  | an..256 Allowance or charge description in free text      |
| 4440     | Free text                         | C              | an..512 | O  | an..256 see 4440 # 1                                      |
| 4440     | Free text                         | C              | an..512 | O  | an..256 see 4440 # 1                                      |
| 4440     | Free text                         | C              | an..512 | O  | an..256 see 4440 # 1                                      |
| 4440     | Free text                         | C              | an..512 | O  | an..256 see 4440 # 1                                      |
| 3453     | Language name code                | C              | an..3   | O  | an..3 Code specifying the language name. Use ISO 639-1988 |
| 4447     | Free text format code             | C              | an..3   | N  | Not used  |

This segment is to be used, if allowance or charge cannot be transmitted with a code.

Sample segment:

**FTX+ALC+++X:X:X:X:X+aa '**

Tag = tag; No. = consecutive segment number in the guide; MaxRep = maximum repetition; St = status (M=mandatory, C=conditional, R=required, O=optional, D=dependent, A=advised)

## Segments

| No. | Tag  | St | MaxRep | Name                          |
|-----|------|----|--------|-------------------------------|
|     | SG41 | O  | 1      | Allowance/charge - percentage |
| 91  | PCD  | M  | 1      | Allowance/charge Percentage   |

| Standard |                                      | Implementation |        |    |   |
|----------|--------------------------------------|----------------|--------|----|---|
| Tag      | Name                                 | St             | Format | St | Format Usage / remark   |
| C501     | Percentage details                   | M              |        | M  |   |
| 5245     | Percentage type code qualifier       | M              | an..3  | M  | an..3<br><b>3 Monetary amount adjustment percentage</b>       |
| 5482     | Percentage                           | C              | n..10  | R  | n..10 Allowance or charge value is expressed as a percentage. |
| 5249     | Percentage basis identification code | C              | an..3  | N  | Not used  |
| 1131     | Code list identification code        | C              | an..17 | N  | Not used  |
| 3055     | Code list responsible agency code    | C              | an..3  | N  | Not used  |
| 4405     | Status description code              | C              | an..3  | N  | Not used  |

Allowance/charge percentage related to this line item (i.e. product of quantity \* net price).  
Sample segment:

**PCD+3 : 10 '**

Tag = tag; No. = consecutive segment number in the guide; MaxRep = maximum repetition; St = status (M=mandatory, C=conditional, R=required, O=optional, D=dependent, A=advised)

## Segments

| No. | Tag  | St | MaxRep | Name                               |
|-----|------|----|--------|------------------------------------|
|     | SG42 | O  | 1      | Allowance/charge - monetary amount |
| 92  | MOA  | M  | 1      | Allowance/charge - monetary amount |

| Standard |  | Implementation |        |    |  |
|----------|--|----------------|--------|----|--|
| Tag      | Name                                   | St             | Format | St | Format Usage / remark                            |
| C516     | Monetary amount                        | M              |        | M  |  |
| 5025     | Monetary amount type code<br>qualifier | M              | an..3  | M  | an..3<br><br><b>8</b> Allowance or charge amount |
| 5004     | Monetary amount                        | C              | n..35  | R  | n..15 Allowance / Charge amount                  |
| 6345     | Currency identification code           | C              | an..3  | R  | an..3 Code specifying a monetary unit.           |
| 6343     | Currency type code qualifier           | C              | an..3  | N  | Not used   |
| 4405     | Status description code                | C              | an..3  | N  | Not used   |

Lump sum allowance or charge related to the line item.

Sample segment:

**MOA+8 : 100 : EUR '**

Tag = tag; No. = consecutive segment number in the guide; MaxRep = maximum repetition; St = status (M=mandatory, C=conditional, R=required, O=optional, D=dependent, A=advised)

## Segments

| No. | Tag  | St | MaxRep | Name                                   |
|-----|------|----|--------|--|
|     | SG43 | O  | 1      | Price allowance / charge rate per unit |
| 93  | RTE  | M  | 1      | Allowance / charge rate per unit       |

| Standard |                           | Implementation |        |  |
|----------|---------------------------|----------------|--------|--|
| Tag      | Name                      | St             | Format | Usage / remark   |
| C128     | Rate details              | M              |        | M  |
| 5419     | Rate type code qualifier  | M              | an..3  | M an..3<br>1 Allowance rate<br>2 Charge rate   |
| 5420     | Unit price basis rate     | M              | n..15  | M n..15 Monetary amount rate used as allowance or charge per each supplied price unit. |
| 5284     | Unit price basis quantity | C              | n..9   | N Not used   |
| 6411     | Measurement unit code     | C              | an..8  | N Not used   |
| 4405     | Status description code   | C              | an..3  | N Not used   |

The financial amount by which the price is adjusted, up or down, dependent on the quantity of delivery or delivery terms specified, as a rate per supplied price unit.

Sample segment:

**RTE+1 : 10 . 00 '**

Tag = tag; No. = consecutive segment number in the guide; MaxRep = maximum repetition; St = status (M=mandatory, C=conditional, R=required, O=optional, D=dependent, A=advised)

## Segments

| No. | Tag  | St | MaxRep | Name                          |
|-----|------|----|--------|-------------------------------|
|     | SG47 | O  | 1      | Terms of delivery             |
| 94  | TOD  | M  | 1      | Terms of delivery - incoterms |

| Standard |  |    |        | Implementation |  |
|----------|--|----|--------|----------------|--|
| Tag      | Name   | St | Format | St             | Format Usage / remark  |
| 4055     | Delivery or transport terms function code    | C  | an..3  | N              | Not used   |
| 4215     | Transport charges payment method code        | C  | an..3  | N              | Not used   |
| C100     | Terms of delivery or transport               | C  |        | R              |  |
| 4053     | Delivery or transport terms description code | C  | an..3  | R              | a3 Code specifying the delivery or transport terms.<br><br><b>CFR</b> Cost and Freight (insert named port of destination)<br><b>CIF</b> Cost, Insurance and Freight (insert named port of destination)<br><b>CIP</b> Carriage and Insurance Paid to (insert named place of destination)<br><b>CPT</b> Carriage Paid To (insert named place of destination)<br><b>DAF</b> Delivered At Frontier (... named place) (removed in version 2010)<br><b>DAP</b> Delivered At Place (insert named place of destination)<br><b>DAT</b> Delivered At Terminal (insert named terminal at port or place of destination)<br><b>DDP</b> Delivered Duty Paid (insert named place of destination)<br><b>DDU</b> Delivered Duty Unpaid (... named place of destination) (removed in version 2010)<br><b>DEQ</b> Delivered Ex Quay (Duty paid) (... named port of destination) (removed in version 2010)<br><b>DES</b> Delivered Ex Ship (... named port of destination) (removed in version 2010)<br><b>EXW</b> Ex Works (insert named place of delivery)<br><b>FAS</b> Free Alongside Ship (insert named port of shipment)<br><b>FCA</b> Free Carrier (insert named place of delivery)<br><b>FOB</b> Free On Board (insert named port of shipment) |
| 1131     | Code list identification code                | C  | an..17 | N              | Not used   |
| 3055     | Code list responsible agency code            | C  | an..3  | O              | an..3 Agency responsible for code list / identifier maintenance<br><b>4</b> ICC (International Chamber of Commerce)  |
| 4052     | Delivery or transport terms description      | C  | an..70 | N              | Not used   |
| 4052     | Delivery or transport terms description      | C  | an..70 | N              | Not used   |

Terms of delivery to be applied to the despatch or consignment to which they are related.  
 Sample segment:

**TOD+++CFR: : 4 '**

Tag = tag; No. = consecutive segment number in the guide; MaxRep = maximum repetition; St = status (M=mandatory, C=conditional, R=required, O=optional, D=dependent, A=advised)



## Segments

| No. | Tag  | St | MaxRep | Name                          |
|-----|------|----|--------|-------------------------------|
|     | SG47 | O  | 1      | Terms of delivery             |
| 95  | LOC  | O  | 1      | Place/location identification |

| Standard |                                     | Implementation |         |    |                                       |
|----------|-------------------------------------|----------------|---------|----|---------------------------------------|
| Tag      | Name                                | St             | Format  | St | Format Usage / remark                 |
| 3227     | Location function code qualifier    | M              | an..3   | M  | an..3<br>1 Place of terms of delivery |
| C517     | Location identification             | C              |         | R  |                                       |
| 3225     | Location identifier                 | C              | an..35  | N  | Not used                              |
| 1131     | Code list identification code       | C              | an..17  | N  | Not used                              |
| 3055     | Code list responsible agency code   | C              | an..3   | N  | Not used                              |
| 3224     | Location name                       | C              | an..256 | R  | an..35 Name of the INCOTERMS place    |
| C519     | Related location one identification | C              |         | N  | Not used                              |
| 3223     | First related location identifier   | C              | an..35  | N  | Not used                              |
| 1131     | Code list identification code       | C              | an..17  | N  | Not used                              |
| 3055     | Code list responsible agency code   | C              | an..3   | N  | Not used                              |
| 3222     | First related location name         | C              | an..70  | N  | Not used                              |
| C553     | Related location two identification | C              |         | N  | Not used                              |
| 3233     | Second related location identifier  | C              | an..35  | N  | Not used                              |
| 1131     | Code list identification code       | C              | an..17  | N  | Not used                              |
| 3055     | Code list responsible agency code   | C              | an..3   | N  | Not used                              |
| 3232     | Second related location name        | C              | an..70  | N  | Not used                              |
| 5479     | Relation code                       | C              | an..3   | N  | Not used                              |

Identification of the point or port of departure, shipment or destination as required under the applicable incoterms.

Sample segment:

**LOC+1+ : : München '**

Tag = tag; No. = consecutive segment number in the guide; MaxRep = maximum repetition; St = status (M=mandatory, C=conditional, R=required, O=optional, D=dependent, A=advised)

## Segments

| No. | Tag  | St | MaxRep | Name                                |
|-----|------|----|--------|-------------------------------------|
|     | SG49 | O  | 999    | Delivery history detail information |
| 96  | GEI  | M  | 1      | Trigger segment                     |

| Standard |                                       | Implementation |        |    |                          |
|----------|---------------------------------------|----------------|--------|----|--------------------------|
| Tag      | Name                                  | St             | Format | St | Format Usage / remark    |
| 9649     | Processing information code qualifier | M              | an..3  | M  | an..3                    |
|          |                                       |                |        |    | <b>2 Accounting data</b> |
| C012     | Processing indicator                  | C              |        | N  | Not used                 |
| 7365     | Processing indicator description code | C              | an..3  | N  | Not used                 |
| 1131     | Code list identification code         | C              | an..17 | N  | Not used                 |
| 3055     | Code list responsible agency code     | C              | an..3  | N  | Not used                 |
| 7364     | Processing indicator description      | C              | an..35 | N  | Not used                 |
| 7187     | Process type description code         | C              | an..17 | N  | Not used                 |

Detail level gives the figures for individual shipments. This level is only used if the invoice summarises several shipments / delivery notes (e.g. JIS shipments).

The GEI segment is used only as trigger for SG49. It does not contain business data.

Sample segment:

**GEI+2 '**

Tag = tag; No. = consecutive segment number in the guide; MaxRep = maximum repetition; St = status (M=mandatory, C=conditional, R=required, O=optional, D=dependent, A=advised)

## Segments

| No. | Tag         | St | MaxRep | Name                                |
|-----|-------------|----|--------|-------------------------------------|
|     | <b>SG49</b> | O  | 999    | Delivery history detail information |
| 97  | <b>GIR</b>  | R  | 5      | Vehicle specific data               |

| Standard |                                      | Implementation |        |   |
|----------|--------------------------------------|----------------|--------|---|
| Tag      | Name                                 | St             | Format | Usage / remark  |
| 7297     | Set type code qualifier              | M              | an..3  | M an..3<br><b>4</b> Vehicle reference set   |
| C206     | Identification number                | M              |        | M   |
| 7402     | Object identifier                    | M              | an..35 | M an..35 ID of the call-off group resp. of the production number                              |
| 7405     | Object identification code qualifier | C              | an..3  | R an..3<br><b>AN</b> Manufacturing reference number<br><b>XA</b> JIS call-off group<br>JAI040 |
| 4405     | Status description code              | C              | an..3  | N Not used  |
| C206     | Identification number                | C              |        | O   |
| 7402     | Object identifier                    | M              | an..35 | M an..35 ID of the call-off group resp. of the production number                              |
| 7405     | Object identification code qualifier | C              | an..3  | R an..3<br><b>AN</b> Manufacturing reference number<br><b>XA</b> JIS call-off group<br>JAI040 |
| 4405     | Status description code              | C              | an..3  | N Not used  |
| C206     | Identification number                | C              |        | N Not used  |
| 7402     | Object identifier                    | M              | an..35 | N Not used  |
| 7405     | Object identification code qualifier | C              | an..3  | N Not used  |
| 4405     | Status description code              | C              | an..3  | N Not used  |
| C206     | Identification number                | C              |        | N Not used  |
| 7402     | Object identifier                    | M              | an..35 | N Not used  |
| 7405     | Object identification code qualifier | C              | an..3  | N Not used  |
| 4405     | Status description code              | C              | an..3  | N Not used  |
| C206     | Identification number                | C              |        | N Not used  |
| 7402     | Object identifier                    | M              | an..35 | N Not used  |
| 7405     | Object identification code qualifier | C              | an..3  | N Not used  |
| 4405     | Status description code              | C              | an..3  | N Not used  |

Sample segment:

**GIR+4+X : XA+X : XA '**

Tag = tag; No. = consecutive segment number in the guide; MaxRep = maximum repetition; St = status (M=mandatory, C=conditional, R=required, O=optional, D=dependent, A=advised)

## Segments

| No. | Tag  | St | MaxRep | Name                                |
|-----|------|----|--------|-------------------------------------|
|     | SG49 | O  | 999    | Delivery history detail information |
| 98  | LOC  | O  | 1      | Internal place of destination       |

| Standard |                                     | Implementation |         |    |   |
|----------|-------------------------------------|----------------|---------|----|---|
| Tag      | Name                                | St             | Format  | St | Format Usage / remark   |
| 3227     | Location function code qualifier    | M              | an..3   | M  | an..3<br><b>7</b> Place of delivery   |
| C517     | Location identification             | C              |         | R  |   |
| 3225     | Location identifier                 | C              | an..35  | O  | an..35 Identifier of location, site, etc.   |
| 1131     | Code list identification code       | C              | an..17  | N  | Not used  |
| 3055     | Code list responsible agency code   | C              | an..3   | O  | an..3 Code specifying the agency responsible for a code list.<br><b>92</b> Assigned by buyer or buyer's agent |
| 3224     | Location name                       | C              | an..256 | O  | an..256 Name of place/location; if necessary, use complete address.   |
| C519     | Related location one identification | C              |         | N  | Not used  |
| 3223     | First related location identifier   | C              | an..35  | N  | Not used  |
| 1131     | Code list identification code       | C              | an..17  | N  | Not used  |
| 3055     | Code list responsible agency code   | C              | an..3   | N  | Not used  |
| 3222     | First related location name         | C              | an..70  | N  | Not used  |
| C553     | Related location two identification | C              |         | N  | Not used  |
| 3233     | Second related location identifier  | C              | an..35  | N  | Not used  |
| 1131     | Code list identification code       | C              | an..17  | N  | Not used  |
| 3055     | Code list responsible agency code   | C              | an..3   | N  | Not used  |
| 3232     | Second related location name        | C              | an..70  | N  | Not used  |
| 5479     | Relation code                       | C              | an..3   | N  | Not used  |

Internal location at the premises of the goods recipients to where the goods are to be transferred after unloading from the transport vehicle (e.g. store room, warehouse, etc.)

Sample segment:

**LOC+7+Interner Verwendungsort Id.:92:Interner Verwendungsort'**

Tag = tag; No. = consecutive segment number in the guide; MaxRep = maximum repetition; St = status (M=mandatory, C=conditional, R=required, O=optional, D=dependent, A=advised)

## Segments

| No. | Tag  | St | MaxRep | Name                                |
|-----|------|----|--------|-------------------------------------|
|     | SG49 | O  | 999    | Delivery history detail information |
| 99  | QTY  | O  | 1      | Invoiced Quantity                   |

| Standard |                              | Implementation |        |  |
|----------|------------------------------|----------------|--------|--|
| Tag      | Name                         | St             | Format | Usage / remark                                   |
| C186     | Quantity details             | M              |        | M  |
| 6063     | Quantity type code qualifier | M              | an..3  | M an..3<br><b>47</b> Invoiced quantity           |
| 6060     | Quantity                     | M              | an..35 | M n..15 Invoiced quantity                        |
| 6411     | Measurement unit code        | C              | an..8  | R an..8 Code specifying the unit of measurement. |

Sample segment:

**QTY+47:1:C62'**

Tag = tag; No. = consecutive segment number in the guide; MaxRep = maximum repetition; St = status (M=mandatory, C=conditional, R=required, O=optional, D=dependent, A=advised)

## Segments

| No. | Tag        | St | MaxRep | Name            |
|-----|------------|----|--------|-----------------|
| 100 | <b>UNS</b> | M  | 1      | Section control |

| Standard |                        |           | Implementation |  |  |
|----------|------------------------|-----------|----------------|--|--|
| Tag      | Name                   | St Format | St Format      | Usage / remark                             |  |
| 0081     | Section identification | M a1      | M a1           | <b>S</b> Detail/summary section separation |  |

Sample segment:

**UNS+S'**

Tag = tag; No. = consecutive segment number in the guide; MaxRep = maximum repetition; St = status (M=mandatory, C=conditional, R=required, O=optional, D=dependent, A=advised)

## Segments

| No. | Tag        | St | MaxRep | Name          |
|-----|------------|----|--------|---------------|
| 101 | <b>CNT</b> | O  | 1      | Control total |

| Standard |                                   | Implementation |        |  |
|----------|-----------------------------------|----------------|--------|--|
| Tag      | Name                              | St             | Format | Usage / remark   |
| C270     | Control                           | M              |        | M  |
| 6069     | Control total type code qualifier | M              | an..3  | M an..3<br><b>2</b> Number of line items in message                                |
| 6066     | Control total quantity            | M              | n..18  | R n..10<br>Quantity / Control value<br>Control value: number of lines in a message |
| 6411     | Measurement unit code             | C              | an..8  | N<br>Not used  |

Sample segment:

**CNT+2 : 1 '**

Tag = tag; No. = consecutive segment number in the guide; MaxRep = maximum repetition; St = status (M=mandatory, C=conditional, R=required, O=optional, D=dependent, A=advised)

## Segments

| No. | Tag  | St | MaxRep | Name           |
|-----|------|----|--------|----------------|
|     | SG50 | M  | 3      | Invoice amount |
| 102 | MOA  | M  | 1      | Invoice amount |

| Standard |                                     | Implementation |        |   |
|----------|-------------------------------------|----------------|--------|---|
| Tag      | Name                                | St             | Format | Usage / remark  |
| C516     | Monetary amount                     | M              |        | M   |
| 5025     | Monetary amount type code qualifier | M              | an..3  | M an..3<br><b>77</b> Invoice line item amount                 |
| 5004     | Monetary amount                     | C              | n..35  | R n..15 Invoice total amount, including taxes (if applicable) |
| 6345     | Currency identification code        | C              | an..3  | R an..3 Code specifying a monetary unit.                      |
| 6343     | Currency type code qualifier        | C              | an..3  | N Not used  |
| 4405     | Status description code             | C              | an..3  | N Not used  |

Total sum charged in respect of a single invoice in accordance with the terms of delivery.

Invoice amount (MOA+77) is the sum of:

amount without VAT (MOA+389)

plus total duty/tax/fee amount (MOA+176)

This segment group can be transmitted up to three times: once with the invoice currency (mandatory), once with the home currency of the invoice receiver, if deviating from invoicing currency and once with the payment currency, if deviating from the invoicing currency. The currency codes must match with the appropriate currency codes transmitted in SG7/CUX. The applicable exchange rates are transmitted in SG7/CUX.DE5402.

Sample segment:

**MOA+77 : 2190 : EUR '**

Tag = tag; No. = consecutive segment number in the guide; MaxRep = maximum repetition; St = status (M=mandatory, C=conditional, R=required, O=optional, D=dependent, A=advised)



## Segments

| No. | Tag  | St | MaxRep | Name                                 |
|-----|------|----|--------|--------------------------------------|
|     | SG50 | R  | 3      | Amount excluding VAT                 |
| 103 | MOA  | M  | 1      | Total invoice amount excluding taxes |

| Standard |                                     | Implementation |        |    |  |
|----------|-------------------------------------|----------------|--------|----|--|
| Tag      | Name                                | St             | Format | St | Format Usage / remark                                      |
| C516     | Monetary amount                     | M              |        | M  |  |
| 5025     | Monetary amount type code qualifier | M              | an..3  | M  | an..3<br><b>389</b> Amount excluding Value Added Tax (VAT) |
| 5004     | Monetary amount                     | C              | n..35  | R  | n..15 Value of taxable monetary amount in currency units   |
| 6345     | Currency identification code        | C              | an..3  | R  | an..3 Code specifying a monetary unit.                     |
| 6343     | Currency type code qualifier        | C              | an..3  | N  | Not used   |
| 4405     | Status description code             | C              | an..3  | N  | Not used   |

This amount is calculated as follows:

- Total invoice taxable amount (MOA+125)
- + Total invoice exempt from tax amount (MOA+342)
- + Total invoice non-taxable amount (MOA+403)

This segment group can be transmitted up to three times: once with the invoice currency, once with the home currency of the invoice receiver, if deviating from invoicing currency and once with the payment currency, if deviating from the invoicing currency. The currency codes must match with the appropriate currency codes transmitted in SG7/CUX. The applicable exchange rates are transmitted in SG7/CUX.DE5402.

Sample segment:

**MOA+389:1000:EUR'**

Tag = tag; No. = consecutive segment number in the guide; MaxRep = maximum repetition; St = status (M=mandatory, C=conditional, R=required, O=optional, D=dependent, A=advised)

## Segments

| No. | Tag  | St | MaxRep | Name                 |
|-----|------|----|--------|----------------------|
|     | SG50 | D  | 3      | Total taxable amount |
| 104 | MOA  | M  | 1      | Total taxable amount |

| Standard |                                     | Implementation |        |  |
|----------|-------------------------------------|----------------|--------|--|
| Tag      | Name                                | St             | Format | Usage / remark   |
| C516     | Monetary amount                     | M              |        | M  |
| 5025     | Monetary amount type code qualifier | M              | an..3  | M an..3<br><b>125</b> Taxable amount                       |
| 5004     | Monetary amount                     | C              | n..35  | R n..15 Value of taxable monetary amount in currency units |
| 6345     | Currency identification code        | C              | an..3  | R an..3 Code specifying a monetary unit.                   |
| 6343     | Currency type code qualifier        | C              | an..3  | N Not used   |
| 4405     | Status description code             | C              | an..3  | N Not used   |

This segment shall transmit the sum of amounts applicable to VAT > 0% only. If no taxes or duties apply to any part of the invoice this occurrence of SG50 can be omitted.

This segment group can be transmitted up to three times: once with the invoice currency, once with the home currency of the invoice receiver, if deviating from invoicing currency and once with the payment currency, if deviating from the invoicing currency. The currency codes must match with the appropriate currency codes transmitted in SG7/CUX. The applicable exchange rates are transmitted in SG7/CUX.DE5402.

Sample segment:

**MOA+125:1000:EUR'**

Tag = tag; No. = consecutive segment number in the guide; MaxRep = maximum repetition; St = status (M=mandatory, C=conditional, R=required, O=optional, D=dependent, A=advised)

## Segments

| No. | Tag  | St | MaxRep | Name             |
|-----|------|----|--------|------------------|
|     | SG50 | R  | 3      | Total tax amount |
| 105 | MOA  | M  | 1      | Total tax amount |

| Standard |                                     | Implementation |        |   |
|----------|-------------------------------------|----------------|--------|---|
| Tag      | Name                                | St             | Format | Usage / remark  |
| C516     | Monetary amount                     | M              |        | M   |
| 5025     | Monetary amount type code qualifier | M              | an..3  | M an..3<br><b>176</b> Message total duty/tax/fee amount |
| 5004     | Monetary amount                     | C              | n..35  | R n..15 Value of tax amount in currency units           |
| 6345     | Currency identification code        | C              | an..3  | R an..3 Code specifying a monetary unit.                |
| 6343     | Currency type code qualifier        | C              | an..3  | N Not used  |
| 4405     | Status description code             | C              | an..3  | N Not used  |

The sum of all SG52/MAO+124 segments.

The segment has to be transmitted even if all amounts are exempt from taxes or non-taxable. In this case value 0 will be transmitted.

This segment group can be transmitted up to three times: once with the invoice currency (mandatory), once with the home currency of the invoice receiver, if deviating from invoicing currency and once with the payment currency, if deviating from the invoicing currency. The currency codes must match with the appropriate currency codes transmitted in SG7/CUX. The applicable exchange rates are transmitted in SG7/CUX.DE5402.

Sample segment:

**MOA+176:190:EUR'**

Tag = tag; No. = consecutive segment number in the guide; MaxRep = maximum repetition; St = status (M=mandatory, C=conditional, R=required, O=optional, D=dependent, A=advised)

## Segments

| No. | Tag | St | MaxRep | Name |
|-----|-----|----|--------|------|
|-----|-----|----|--------|------|

**SG50**

D 3 Total line items amount

If there are line items with net amount <> zero, this segment has to be transmitted.

106

**MOA**

M 1 Total line items amount (sum of net line items amounts)

| Standard |  | Implementation |        |  |
|----------|--|----------------|--------|--|
| Tag      | Name                                   | St             | Format | St Format Usage / remark                     |
| C516     | Monetary amount                        | M              |        | M  |
| 5025     | Monetary amount type code<br>qualifier | M              | an..3  | M an..3<br><b>79</b> Total line items amount |
| 5004     | Monetary amount                        | C              | n..35  | R n..15 Total line items amount              |
| 6345     | Currency identification code           | C              | an..3  | R an..3 Code specifying a monetary unit.     |
| 6343     | Currency type code qualifier           | C              | an..3  | N Not used                                   |
| 4405     | Status description code                | C              | an..3  | N Not used                                   |

Sum of all line items net amounts (MOA+203...)

This segment group can be transmitted up to three times: once with the invoice currency, once with the home currency of the invoice receiver, if deviating from invoicing currency and once with the payment currency, if deviating from the invoicing currency. The currency codes must match with the appropriate currency codes transmitted in SG7/CUX. The applicable exchange rates are transmitted in SG7/CUX.DE5402.

Sample segment:

**MOA+79 : 2000 : EUR '**

Tag = tag; No. = consecutive segment number in the guide; MaxRep = maximum repetition; St = status (M=mandatory, C=conditional, R=required, O=optional, D=dependent, A=advised)

## Segments

| No. | Tag  | St | MaxRep | Name                            |
|-----|------|----|--------|---------------------------------|
|     | SG50 | D  | 1      | Total invoice additional amount |
| 107 | MOA  | M  | 1      | Total invoice additional amount |

| Standard |                                     | Implementation |        |   |
|----------|-------------------------------------|----------------|--------|---|
| Tag      | Name                                | St             | Format | Usage / remark  |
| C516     | Monetary amount                     | M              |        | M   |
| 5025     | Monetary amount type code qualifier | M              | an..3  | M an..3 Amount Type<br><b>136</b> Total invoice additional amount |
| 5004     | Monetary amount                     | C              | n..35  | R n..15 Amount<br>Total invoice additional amount                 |
| 6345     | Currency identification code        | C              | an..3  | R an..3 Code specifying a monetary unit.                          |
| 6343     | Currency type code qualifier        | C              | an..3  | N Not used  |
| 4405     | Status description code             | C              | an..3  | N Not used  |

For the usage of this segment the following limitations apply:

1. This segment is only used for the sum of delivery costs (freight and packaing costs, SG 53).
2. This segmeng may be used only if all line items are subject to the same VAT rate.

In all other cases allowances and charges have to be allocated pro rata to the individual line items so that the actual net price is shown correctly.

If a charge is subject to a different VAT rate or cannot be allocated to the line items of the invoice, then a separate line item has to be generated with the charge and the correct VAT amount. The possibility of automatic validation of the invoice amounts has to be ensured.

Sample segment:

**MOA+136 : 20 : EUR '**

Tag = tag; No. = consecutive segment number in the guide; MaxRep = maximum repetition; St = status (M=mandatory, C=conditional, R=required, O=optional, D=dependent, A=advised)

## Segments

| No. | Tag  | St | MaxRep | Name                           |
|-----|------|----|--------|--------------------------------|
|     | SG50 | D  | 1      | Total invoice allowance amount |
| 108 | MOA  | M  | 1      | Total invoice allowance amount |

| Standard |  | Implementation |        |    |   |
|----------|--|----------------|--------|----|---|
| Tag      | Name                                   | St             | Format | St | Format Usage / remark   |
| C516     | Monetary amount                        | M              |        | M  |   |
| 5025     | Monetary amount type code<br>qualifier | M              | an..3  | M  | an..3 Amount Type<br><b>204</b> Allowance amount                |
| 5004     | Monetary amount                        | C              | n..35  | R  | n..15 Amount<br>Total invoice allowance amount on invoice level |
| 6345     | Currency identification code           | C              | an..3  | R  | an..3 Code specifying a monetary unit.                          |
| 6343     | Currency type code qualifier           | C              | an..3  | N  | Not used  |
| 4405     | Status description code                | C              | an..3  | N  | Not used  |

Sample segment:

**MOA+204 : 100 : EUR '**

Tag = tag; No. = consecutive segment number in the guide; MaxRep = maximum repetition; St = status (M=mandatory, C=conditional, R=required, O=optional, D=dependent, A=advised)

## Segments

| No. | Tag  | St | MaxRep | Name   |
|-----|------|----|--------|--|
|     | SG50 | O  | 3      | Payment discount amount                                      |
| 109 | MOA  | M  | 1      | Payment discount amount in invoice, home or payment currency |

| Standard |                                     | Implementation |        |   |
|----------|-------------------------------------|----------------|--------|---|
| Tag      | Name                                | St             | Format | Usage / remark                                |
| C516     | Monetary amount                     | M              |        | M   |
| 5025     | Monetary amount type code qualifier | M              | an..3  | M an..3<br><b>109</b> Payment discount amount |
| 5004     | Monetary amount                     | C              | n..35  | R n..15 Payment discount amount               |
| 6345     | Currency identification code        | C              | an..3  | R an..3 Code specifying a monetary unit.      |
| 6343     | Currency type code qualifier        | C              | an..3  | N Not used                                    |
| 4405     | Status description code             | C              | an..3  | N Not used                                    |

This segment group can be transmitted up to three times: once with the invoice currency, once with the home currency of the invoice receiver, if deviating from invoicing currency and once with the payment currency, if deviating from the invoicing currency. The currency codes must match with the appropriate currency codes transmitted in SG7/CUX. The applicable exchange rates are transmitted in SG7/CUX.DE5402.

Sample segment:

**MOA+109:100:EUR'**

Tag = tag; No. = consecutive segment number in the guide; MaxRep = maximum repetition; St = status (M=mandatory, C=conditional, R=required, O=optional, D=dependent, A=advised)

## Segments

| No. | Tag  | St | MaxRep | Name           |
|-----|------|----|--------|----------------|
|     | SG50 | O  | 3      | Prepaid amount |
| 110 | MOA  | M  | 1      | Prepaid amount |

| Standard |  | Implementation |        |    |  |
|----------|--|----------------|--------|----|--|
| Tag      | Name                                   | St             | Format | St | Format Usage / remark  |
| C516     | Monetary amount                        | M              |        | M  |  |
| 5025     | Monetary amount type code<br>qualifier | M              | an..3  | M  | an..3 Amount Type<br>Code specifying a monetary unit.<br><b>113</b> Prepaid amount |
| 5004     | Monetary amount                        | C              | n..35  | R  | n..15 Value of a monetary amount which has been prepaid in advance                 |
| 6345     | Currency identification code           | C              | an..3  | R  | an..3 Code specifying a monetary unit.   |
| 6343     | Currency type code qualifier           | C              | an..3  | N  | Not used   |
| 4405     | Status description code                | C              | an..3  | N  | Not used   |

This segment can be used for indication of received prepayments.

This segment group can be transmitted up to three times: once with the invoice currency, once with the home currency of the invoice receiver, if deviating from invoicing currency and once with the payment currency, if deviating from the invoicing currency. The currency codes must match with the appropriate currency codes transmitted in SG7/CUX. The applicable exchange rates are transmitted in SG7/CUX.DE5402.

Sample segment:

**MOA+113:1000:EUR'**

Tag = tag; No. = consecutive segment number in the guide; MaxRep = maximum repetition; St = status (M=mandatory, C=conditional, R=required, O=optional, D=dependent, A=advised)



## Segments

| No. | Tag  | St | MaxRep | Name                            |
|-----|------|----|--------|---------------------------------|
|     | SG51 | D  | 1      | Reference to prepayment invoice |
| 111 | RFF  | M  | 1      | Reference to prepayment invoice |

| Standard |                          | Implementation |        |    |  |
|----------|--------------------------|----------------|--------|----|--|
| Tag      | Name                     | St             | Format | St | Format Usage / remark  |
| C506     | Reference                | M              |        | M  |  |
| 1153     | Reference code qualifier | M              | an..3  | R  | an..3<br><b>IV</b> Invoice document identifier<br><b>ZZZ</b> Mutually defined reference number |
| 1154     | Reference identifier     | C              | an..70 | R  | an..35 Document number of the prepayment invoice   |
| 1156     | Document line identifier | C              | an..6  | N  | Not used   |
| 1056     | Version identifier       | C              | an..9  | N  | Not used   |
| 1060     | Revision identifier      | C              | an..6  | N  | Not used   |

The RFF segment qualifier value IV is to be used to refer to a prepayment invoice, when relevant.

Sample segment:

**RFF+IV:10023'**

## Segments

| No. | Tag         | St | MaxRep | Name                            |
|-----|-------------|----|--------|---------------------------------|
|     | <b>SG51</b> | D  | 1      | Reference to prepayment invoice |
| 112 | <b>DTM</b>  | O  | 1      | Date of prepayment invoice      |

| Standard |  | Implementation |        |    |   |
|----------|--|----------------|--------|----|---|
| Tag      | Name   | St             | Format | St | Format Usage / remark                   |
| C507     | Date/time/period                               | M              |        | M  |   |
| 2005     | Date or time or period function code qualifier | M              | an..3  | M  | an..3<br><b>171</b> Reference date/time |
| 2380     | Date or time or period text                    | C              | an..35 | R  | n8 Document Date/Time                   |
| 2379     | Date or time or period format code             | C              | an..3  | O  | an..3<br><b>102</b> CCYYMMDD            |

Sample segment:

**DTM+171:20100308:102'**

Tag = tag; No. = consecutive segment number in the guide; MaxRep = maximum repetition; St = status (M=mandatory, C=conditional, R=required, O=optional, D=dependent, A=advised)

## Segments

| No. | Tag  | St | MaxRep | Name              |
|-----|------|----|--------|-------------------|
|     | SG50 | D  | 3      | Amount to be paid |
| 113 | MOA  | M  | 1      | Amount to be paid |

| Standard |  | Implementation |        |   |
|----------|--|----------------|--------|---|
| Tag      | Name                                   | St             | Format | Usage / remark                              |
| C516     | Monetary amount                        | M              |        | M   |
| 5025     | Monetary amount type code<br>qualifier | M              | an..3  | M an..3                                     |
|          |  |                |        | <b>139</b> Total payment amount             |
| 5004     | Monetary amount                        | C              | n..35  | R n..15    Amount to be paid                |
| 6345     | Currency identification code           | C              | an..3  | R an..3    Code specifying a monetary unit. |
| 6343     | Currency type code qualifier           | C              | an..3  | N    Not used                               |
| 4405     | Status description code                | C              | an..3  | N    Not used                               |

Difference between invoice amount and prepaid amount.

Mandatory if the invoice shall conform with the core invoice model of EN16931.

This segment group can be transmitted up to three times: once with the invoice currency once with the home currency of the invoice receiver, if deviating from invoicing currency and once with the payment currency, if deviating from the invoicing currency. The currency codes must match with the appropriate currency codes transmitted in SG7/CUX. The applicable exchange rates are transmitted in SG7/CUX.DE5402.

Sample segment:

**MOA+139:1190:EUR'**

Tag = tag; No. = consecutive segment number in the guide; MaxRep = maximum repetition; St = status (M=mandatory, C=conditional, R=required, O=optional, D=dependent, A=advised)

## Segments

| No. | Tag  | St | MaxRep | Name                            |
|-----|------|----|--------|---------------------------------|
|     | SG50 | D  | 2      | Non-taxable / exemption amount  |
| 114 | MOA  | M  | 1      | Non-taxable or exemption amount |

| Standard |  | Implementation |        |   |
|----------|--|----------------|--------|---|
| Tag      | Name                                   | St             | Format | Usage / remark  |
| C516     | Monetary amount                        | M              |        | M   |
| 5025     | Monetary amount type code<br>qualifier | M              | an..3  | M an..3<br><br><b>342</b> Non-taxable amount<br><b>403</b> Exemption amount           |
| 5004     | Monetary amount                        | C              | n..35  | R n..15<br>Non taxable amount<br>Value of a monetary amount subject to tax exemptions |
| 6345     | Currency identification code           | C              | an..3  | R an..3<br>Code specifying a monetary unit.   |
| 6343     | Currency type code qualifier           | C              | an..3  | N<br>Not used   |
| 4405     | Status description code                | C              | an..3  | N<br>Not used   |

This segment is to be used to transmit either the sum of all non-taxable amounts or all amounts exempt from taxes.  
Sample segment:

**MOA+403:1000:EUR'**

Tag = tag; No. = consecutive segment number in the guide; MaxRep = maximum repetition; St = status (M=mandatory, C=conditional, R=required, O=optional, D=dependent, A=advised)

## Segments

| No. | Tag  | St | MaxRep | Name                  |
|-----|------|----|--------|-----------------------|
|     | SG52 | O  | 10     | Tax rates and amounts |
| 115 | TAX  | M  | 1      | Tax type and rate     |

| Standard |  |           | Implementation |  |  |
|----------|--|-----------|----------------|--|--|
| Tag      | Name   | St Format | St Format      | Usage / remark   |  |
| 5283     | Duty or tax or fee function code qualifier   | M an..3   | M an..3        | Code qualifying the function of a duty or tax or fee.<br><b>7 Tax</b>  |  |
| C241     | Duty/tax/fee type                            | C         | R              |  |  |
| 5153     | Duty or tax or fee type name code            | C an..3   | R an..3        | Code specifying a type of duty, tax or fee.<br>Code SUR is used to qualify the used part tax, which is additional to VAT (currently 10% of VAT amount).<br><b>AAG</b> Harmonised sales tax, Canadian<br><b>AAH</b> Quebec sales tax<br><b>AAI</b> Canadian provincial sales tax<br><b>BOL</b> Stamp duty (Imposta di Bollo)<br><b>GST</b> Goods and services tax<br><b>LOC</b> Local sales tax<br><b>OTH</b> Other taxes<br><b>STT</b> State/provincial sales tax<br><b>SUR</b> Surtax<br><b>VAT</b> Value added tax |  |
| 1131     | Code list identification code                | C an..17  | N              | Not used   |  |
| 3055     | Code list responsible agency code            | C an..3   | N              | Not used   |  |
| 5152     | Duty or tax or fee type name                 | C an..35  | O an..35       | If DE 5153 states STT-State/provincial sales tax, then this element can be use to identify the actual tax, e.g. Tax Province ABC ...   |  |
| C533     | Duty/tax/fee account detail                  | C         | N              | Not used   |  |
| 5289     | Duty or tax or fee account code              | M an..6   | N              | Not used   |  |
| 1131     | Code list identification code                | C an..17  | N              | Not used   |  |
| 3055     | Code list responsible agency code            | C an..3   | N              | Not used   |  |
| 5286     | Duty or tax or fee assessment basis quantity | C an..15  | N              | Not used   |  |
| C243     | Duty/tax/fee detail                          | C         | R              |  |  |
| 5279     | Duty or tax or fee rate code                 | C an..7   | N              | Not used   |  |
| 1131     | Code list identification code                | C an..17  | N              | Not used   |  |
| 3055     | Code list responsible agency code            | C an..3   | N              | Not used   |  |
| 5278     | Duty or tax or fee rate                      | C an..17  | R n..7         | The tax rate (numeric) should be presented in an alpha-numeric field as follows: 19.5% ==> :19.5<br>Rate (percentage) of the specified tax.  |  |
| 5273     | Duty or tax or fee rate basis code           | C an..12  | N              | Not used   |  |
| 1131     | Code list identification code                | C an..17  | N              | Not used   |  |
| 3055     | Code list responsible agency code            | C an..3   | N              | Not used   |  |
| 5305     | Duty or tax or fee category code             | C an..3   | R an..3        | Code specifying a duty or tax or fee category.<br>This code list contains codes referencing to the Sixth EU directive regarding tax exemption and special procedures. Under  |  |

Tag = tag; No. = consecutive segment number in the guide; MaxRep = maximum repetition; St = status (M=mandatory, C=conditional, R=required, O=optional, D=dependent, A=advised)

## Segments

| Standard |  | Implementation |        |   |
|----------|--|----------------|--------|---|
| Tag      | Name                                     | St             | Format | Usage / remark  |
|          |  |                |        | EU directive and national law, any exemption from tax has to be declared more detailed. There are several provisions in the directive, which allow exemption. In the European environment it is necessary to state this reason whenever the invoice issuer declares an invoice item or the whole invoice to be VAT exempt. If the tax is not value added tax (DE5153 <> VAT), then here code S is used as default.<br><b>AE</b> VAT Reverse Charge<br><b>E</b> Exempt from tax<br><b>G</b> Free export item, tax not charged<br><b>K</b> VAT exempt for EEA intra-community supply of goods and services<br><b>L</b> Canary Islands general indirect tax<br><b>M</b> Tax for production, services and importation in Ceuta and Melilla<br><b>O</b> Services outside scope of tax<br><b>S</b> Standard rate<br><b>Z</b> Zero rated goods<br><b>AE3</b> VAT Reverse Charge in bypass transactions<br>JAI003 |
| 3446     | Party tax identifier                     | C              | an..20 | N Not used  |
| 1227     | Calculation sequence code                | C              | an..3  | N Not used  |
| 5307     | Tax or duty or fee payment due date code | C              | an..3  | O an..3<br><br><b>1</b> Duty, tax or fee payment due on invoice payment date<br><b>2</b> Duty, tax or fee payment due on invoice issue date   |

Sample segment:

**TAX+7+VAT: : :X+++ : : 19+S+++1'**

Tag = tag; No. = consecutive segment number in the guide; MaxRep = maximum repetition; St = status (M=mandatory, C=conditional, R=required, O=optional, D=dependent, A=advised)

## Segments

| No. | Tag  | St | MaxRep | Name                           |
|-----|------|----|--------|--------------------------------|
|     | SG52 | O  | 10     | Tax rates and amounts          |
| 116 | MOA  | D  | 1      | Tax amount in invoice currency |

| Standard |  | Implementation |        |    |   |
|----------|--|----------------|--------|----|---|
| Tag      | Name                                   | St             | Format | St | Format Usage / remark                         |
| C516     | Monetary amount                        | M              |        | M  |   |
| 5025     | Monetary amount type code<br>qualifier | M              | an..3  | M  | an..3   |
|          |  |                |        |    | <b>124</b> Tax amount                         |
| 5004     | Monetary amount                        | C              | n..35  | R  | n..15 Value of a tax amount in currency units |
| 6345     | Currency identification code           | C              | an..3  | R  | an..3 Code specifying a monetary unit.        |
| 6343     | Currency type code qualifier           | C              | an..3  | N  | Not used                                      |
| 4405     | Status description code                | C              | an..3  | N  | Not used                                      |

Sample segment:

**MOA+124 : 190 : EUR '**

Tag = tag; No. = consecutive segment number in the guide; MaxRep = maximum repetition; St = status (M=mandatory, C=conditional, R=required, O=optional, D=dependent, A=advised)

## Segments

| No. | Tag  | St | MaxRep | Name                               |
|-----|------|----|--------|------------------------------------|
|     | SG52 | O  | 10     | Tax rates and amounts              |
| 117 | MOA  | R  | 1      | Taxable amount in invoice currency |

| Standard |  | Implementation |        |    |   |
|----------|--|----------------|--------|----|---|
| Tag      | Name                                   | St             | Format | St | Format Usage / remark                             |
| C516     | Monetary amount                        | M              |        | M  |   |
| 5025     | Monetary amount type code<br>qualifier | M              | an..3  | M  | an..3<br><b>125</b> Taxable amount                |
| 5004     | Monetary amount                        | C              | n..35  | R  | n..15 Value of a taxable amount in currency units |
| 6345     | Currency identification code           | C              | an..3  | R  | an..3 Code specifying a monetary unit.            |
| 6343     | Currency type code qualifier           | C              | an..3  | N  | Not used  |
| 4405     | Status description code                | C              | an..3  | N  | Not used  |

Sample segment:

**MOA+125:1000:EUR'**

Tag = tag; No. = consecutive segment number in the guide; MaxRep = maximum repetition; St = status (M=mandatory, C=conditional, R=required, O=optional, D=dependent, A=advised)



## Segments

| No. | Tag         | St | MaxRep | Name           |
|-----|-------------|----|--------|----------------|
|     | <b>SG53</b> | D  | 15     | Delivery costs |
| 118 | <b>ALC</b>  | M  | 1      | Charge         |

| Standard |   |           | Implementation |  |  |
|----------|---|-----------|----------------|--|--|
| Tag      | Name                                    | St Format | St Format      | Usage / remark   |  |
| 5463     | Allowance or charge code qualifier      | M an..3   | M an..3        | <b>C</b> Charge  |  |
| C552     | Allowance/charge information            | C         | N              | Not used   |  |
| 1230     | Allowance or charge identifier          | C an..35  | N              | Not used   |  |
| 5189     | Allowance or charge identification code | C an..3   | N              | Not used   |  |
| 4471     | Settlement means code                   | C an..3   | N              | Not used   |  |
| 1227     | Calculation sequence code               | C an..3   | N              | Not used   |  |
| C214     | Special services identification         | C         | R              |  |  |
| 7161     | Special service description code        | C an..3   | R an..3        | <b>ABK</b> Miscellaneous<br><b>ABM</b> Scrap surcharge<br><b>ABO</b> Air freight transportation<br><b>ABP</b> Carriage charge<br><b>ABW</b> Customs duty charge<br><b>FC</b> Freight service<br><b>FI</b> Financing<br><b>HD</b> Handling<br><b>IN</b> Insurance<br><b>PC</b> Packing<br><b>341</b> Toll surcharge<br>JAI032 |  |
| 1131     | Code list identification code           | C an..17  | N              | Not used   |  |
| 3055     | Code list responsible agency code       | C an..3   | O an..3        | <b>272</b> Joint Automotive Industry agency  |  |
| 7160     | Special service description             | C an..35  | N              | Not used   |  |
| 7160     | Special service description             | C an..35  | N              | Not used   |  |

This segment group is used for additional charge on invoice level (e.g. freight, packaging), i.e. in addition to charges that might be stated at individual line items. It is not the sum of line item charges.

Sample segment:

**ALC+C++++ABK : : 272 '**

Tag = tag; No. = consecutive segment number in the guide; MaxRep = maximum repetition; St = status (M=mandatory, C=conditional, R=required, O=optional, D=dependent, A=advised)

## Segments

| No. | Tag  | St | MaxRep | Name           |
|-----|------|----|--------|----------------|
|     | SG53 | D  | 15     | Delivery costs |
| 119 | MOA  | R  | 1      | Charge amount  |

| Standard |  | Implementation |        |  |
|----------|--|----------------|--------|--|
| Tag      | Name                                   | St             | Format | St Format Usage / remark                       |
| C516     | Monetary amount                        | M              |        | M  |
| 5025     | Monetary amount type code<br>qualifier | M              | an..3  | M an..3<br><b>8</b> Allowance or charge amount |
| 5004     | Monetary amount                        | C              | n..35  | R n..35 Charge amount                          |
| 6345     | Currency identification code           | C              | an..3  | R an..3 Code specifying a monetary unit.       |
| 6343     | Currency type code qualifier           | C              | an..3  | N Not used                                     |
| 4405     | Status description code                | C              | an..3  | N Not used                                     |

Sample segment:

**MOA+8 : 9 : EUR '**

Tag = tag; No. = consecutive segment number in the guide; MaxRep = maximum repetition; St = status (M=mandatory, C=conditional, R=required, O=optional, D=dependent, A=advised)

## Segments

| No. | Tag  | St | MaxRep | Name                    |
|-----|------|----|--------|-------------------------|
|     | SG53 | D  | 15     | Delivery costs          |
| 120 | FTX  | O  | 1      | Charge description text |

| Standard |                                   | Implementation |         |   |
|----------|-----------------------------------|----------------|---------|---|
| Tag      | Name                              | St             | Format  | St Format Usage / remark                                    |
| 4451     | Text subject code qualifier       | M              | an..3   | M an..3<br><b>ALC</b> Allowance/charge information          |
| 4453     | Free text function code           | C              | an..3   | N Not used  |
| C107     | Text reference                    | C              |         | N Not used  |
| 4441     | Free text description code        | M              | an..17  | N Not used  |
| 1131     | Code list identification code     | C              | an..17  | N Not used  |
| 3055     | Code list responsible agency code | C              | an..3   | N Not used  |
| C108     | Text literal                      | C              |         | R   |
| 4440     | Free text                         | M              | an..512 | M an..256 Additional charge description text                |
| 4440     | Free text                         | C              | an..512 | O an..256 See DE 4440 #1                                    |
| 4440     | Free text                         | C              | an..512 | O an..256 See DE 4440 #1                                    |
| 4440     | Free text                         | C              | an..512 | O an..256 See DE 4440 #1                                    |
| 4440     | Free text                         | C              | an..512 | O an..256 See DE 4440 #1                                    |
| 3453     | Language name code                | C              | an..3   | O an..3 Code specifying the language name. Use ISO 639-1988 |
| 4447     | Free text format code             | C              | an..3   | N Not used  |

Sample segment:

**FTX+ALC+++X:X:X:X+en'**

Tag = tag; No. = consecutive segment number in the guide; MaxRep = maximum repetition; St = status (M=mandatory, C=conditional, R=required, O=optional, D=dependent, A=advised)

## Segments

| No. | Tag        | St | MaxRep | Name            |
|-----|------------|----|--------|-----------------|
| 121 | <b>UNT</b> | M  | 1      | Message trailer |

| Standard |                                   | Implementation |        |  |
|----------|-----------------------------------|----------------|--------|--|
| Tag      | Name                              | St             | Format | St Format Usage / remark                 |
| 0074     | Number of segments in the message | M              | n..6   | M n..6 Number of segments in the message |
| 0062     | Message reference number          | M              | an..14 | M an..14                                 |

Sample segment:

**UNT+119+1 '**

Tag = tag; No. = consecutive segment number in the guide; MaxRep = maximum repetition; St = status (M=mandatory, C=conditional, R=required, O=optional, D=dependent, A=advised)

## Segments

| No. | Tag        | St | MaxRep | Name                |
|-----|------------|----|--------|---------------------|
| 122 | <b>UNZ</b> | M  | 1      | Interchange trailer |

| Standard |                               | Implementation |        |  |
|----------|-------------------------------|----------------|--------|--|
| Tag      | Name                          | St             | Format | St Format Usage / remark   |
| 0036     | Interchange control count     | M              | n..6   | M n..6 Number of messages in the data interchange.                     |
| 0020     | Interchange control reference | M              | an..14 | M an..14 Repetition of the value transmitted in UNB data element 0020. |

Sample segment:

**UNZ+1+144659'**

Tag = tag; No. = consecutive segment number in the guide; MaxRep = maximum repetition; St = status (M=mandatory, C=conditional, R=required, O=optional, D=dependent, A=advised)

## Applicable codes

| 0001 Syntax identifier                     |   |           |
|--|---|-----------|
| Code                                       | Name/description  | Code list |
| <b>UNOA</b>                                | UN/ECE level A  | 0001      |
| <b>UNOB</b>                                | UN/ECE level B  | 0001      |
| <b>UNOC</b>                                | UN/ECE level C  | 0001      |
| <b>UNOD</b>                                | UN/ECE level D  | 0001      |
| 0002 Syntax version number                 |   |           |
| Code                                       | Name/description  | Code list |
| <b>2</b>                                   | Version 2   | 0002      |
| <b>3</b>                                   | Version 3   | 0002      |
| 0007 Partner identification code qualifier |   |           |
| Code                                       | Name/description  | Code list |
| <b>1</b>                                   | DUNS (Data Universal Numbering System)  | 0007      |
| <b>4</b>                                   | IATA (International Air Transport Association)                                | 0007      |
| <b>5</b>                                   | INSEE (Institut National de la Statistique et des Etudes Economiques) - SIRET | 0007      |
| <b>8</b>                                   | UCC Communications ID (Uniform Code Council Communications Identifier)        | 0007      |
| <b>9</b>                                   | DUNS (Data Universal Numbering System) with 4 digit suffix                    | 0007      |
| <b>12</b>                                  | Telephone number  | 0007      |
| <b>14</b>                                  | GS1   | 0007      |
| <b>18</b>                                  | AIAG (Automotive Industry Action Group)                                       | 0007      |
| <b>22</b>                                  | INSEE (Institut National de la Statistique et des Etudes Economiques) - SIREN | 0007      |
| <b>30</b>                                  | ISO 6523: Organization identification   | 0007      |
| <b>31</b>                                  | DIN (Deutsches Institut fuer Normung)   | 0007      |
| <b>33</b>                                  | BfA (Bundesversicherungsanstalt fuer Angestellte)                             | 0007      |
| <b>34</b>                                  | National Statistical Agency   | 0007      |
| <b>51</b>                                  | GEIS (General Electric Information Services)                                  | 0007      |
| <b>52</b>                                  | INS (IBM Network Services)  | 0007      |
| <b>53</b>                                  | Datenzentrale des Einzelhandels   | 0007      |
| <b>54</b>                                  | Bundesverband der Deutschen Baustoffhaendler                                  | 0007      |
| <b>55</b>                                  | Bank identifier code  | 0007      |
| <b>57</b>                                  | KTNet (Korea Trade Network Services)  | 0007      |
| <b>58</b>                                  | UPU (Universal Postal Union)  | 0007      |
| <b>59</b>                                  | ODETTE (Organization for Data Exchange through Tele- Transmission in Europe)  | 0007      |
| <b>61</b>                                  | SCAC (Standard Carrier Alpha Code)  | 0007      |
| <b>63</b>                                  | ECA (Electronic Commerce Australia)   | 0007      |
| <b>65</b>                                  | TELEBOX 400 (Deutsche Telekom)  | 0007      |
| <b>80</b>                                  | NHS (National Health Service)   | 0007      |
| <b>82</b>                                  | Statens Teleforvaltning   | 0007      |
| <b>84</b>                                  | Athens Chamber of Commerce  | 0007      |
| <b>85</b>                                  | Swiss Chamber of Commerce   | 0007      |
| <b>86</b>                                  | US Council for International Business   | 0007      |
| <b>87</b>                                  | National Federation of Chambers of Commerce and Industry                      | 0007      |
| <b>89</b>                                  | Association of British Chambers of Commerce                                   | 0007      |
| <b>90</b>                                  | SITA (Societe Internationale de Telecommunications Aeronautiques)             | 0007      |
| <b>91</b>                                  | Assigned by seller or seller's agent  | 0007      |
| <b>92</b>                                  | Assigned by buyer or buyer's agent  | 0007      |
| <b>103</b>                                 | TW, Trade-van   | 0007      |
| <b>128</b>                                 | CH, BCNR (Swiss Clearing Bank Number)   | 0007      |
| <b>129</b>                                 |   |           |

## Applicable codes

| Code          | Name/description  | Code list |
|---------------|---|-----------|
|               | CH, BPI (Swiss Business Partner Identification)   | 0007      |
| <b>144</b>    | US, DoDAAC (Department of Defense Activity Address Code)  | 0007      |
| <b>145</b>    | FR, DGCP (Direction Generale de la Comptabilite Publique)   | 0007      |
| <b>146</b>    | FR, DGI (Direction Generale des Impots)   | 0007      |
| <b>147</b>    | JP, JIPDEC/ECPC (Japan Information Processing Development Corporation / Electronic Commerce Promotion Center) | 0007      |
| <b>148</b>    | ITU (International Telecommunications Union) Data Network Identification Code (DNIC)                          | 0007      |
| <b>500</b>    | DE, BDEW (Bundesverband der Energie- und Wasserwirtschaft e.V.)   | 0007      |
| <b>501</b>    | EASEE-gas (European Association for the Streamlining of Energy Exchange)                                      | 0007      |
| <b>502</b>    | DE, DVGW (Deutsche Vereinigung des Gas- und Wasserfaches e.V.)  | 0007      |
| <b>Z01</b>    | Vehicle registration number   | 0007      |
| <b>ZZZ</b>    | Mutually defined  | 0007      |
| <b>0035</b>   | <b>Test indicator</b>   |           |
| Code          | Name/description  | Code list |
| <b>1</b>      | Interchange is a test   | 0035      |
| <b>0051</b>   | <b>Controlling agency</b>   |           |
| Code          | Name/description  | Code list |
| <b>UN</b>     | UN/CEFACT   | 0051      |
| <b>0052</b>   | <b>Message version number</b>   |           |
| Code          | Name/description  | Code list |
| <b>D</b>      | Draft version/UN/EDIFACT Directory  | 0052      |
| <b>0054</b>   | <b>Message release number</b>   |           |
| Code          | Name/description  | Code list |
| <b>07A</b>    | Release 2007 - A  | 0054      |
| <b>0057</b>   | <b>Association assigned code</b>  |           |
| Code          | Name/description  | Code list |
| <b>GAVA24</b> | VDA INVOIC Version 2.4  | JAI016    |
| <b>0065</b>   | <b>Message type</b>   |           |
| Code          | Name/description  | Code list |
| <b>INVOIC</b> | Invoice message   | 0065      |
| <b>0081</b>   | <b>Section identification</b>   |           |
| Code          | Name/description  | Code list |
| <b>S</b>      | Detail/summary section separation   | 0081      |
| <b>1001</b>   | <b>Document name code</b>   |           |
| Code          | Name/description  | Code list |
| <b>393</b>    | Consignment Invoice Selfbilled  | JAI001    |
| <b>402</b>    | Credit Note issued by the Buyer Selfbilled Invoice  | JAI001    |
| <b>403</b>    | Debit Note issued by the Buyer Selfbilled Invoice   | JAI001    |
| <b>407</b>    | Freight invoice, selfbilled   | JAI001    |
| <b>413</b>    | Information on price variation  | JAI001    |
| <b>295</b>    | Price variation invoice   | 1001      |
| <b>296</b>    | Credit note for price variation   | 1001      |
| <b>325</b>    | Proforma invoice  | 1001      |
| <b>326</b>    | Partial invoice   | 1001      |

## Applicable codes

| Code        | Name/description                          | Code list |
|-------------|---|-----------|
| <b>380</b>  | Commercial invoice                        | 1001      |
| <b>381</b>  | Credit note                               | 1001      |
| <b>383</b>  | Debit note                                | 1001      |
| <b>386</b>  | Prepayment invoice                        | 1001      |
| <b>389</b>  | Self-billed invoice                       | 1001      |
| <b>395</b>  | Consignment invoice                       | 1001      |
| <b>396</b>  | Factored credit note                      | 1001      |
| <b>1153</b> | <b>Reference code qualifier</b>           |           |
| Code        | Name/description                          | Code list |
| <b>AAJ</b>  | Delivery order number                     | 1153      |
| <b>AAK</b>  | Despatch advice number                    | 1153      |
| <b>AAN</b>  | Delivery schedule number                  | 1153      |
| <b>AAP</b>  | Partial shipment identifier               | 1153      |
| <b>AAQ</b>  | Transport equipment identifier            | 1153      |
| <b>AAU</b>  | Despatch note document identifier         | 1153      |
| <b>ACD</b>  | Additional reference number               | 1153      |
| <b>ACE</b>  | Related document number                   | 1153      |
| <b>ACW</b>  | Reference number to previous message      | 1153      |
| <b>ADE</b>  | Account number                            | 1153      |
| <b>AE</b>   | Authorization for expense (AFE) number    | 1153      |
| <b>AGK</b>  | Application reference number              | 1153      |
| <b>AHL</b>  | Creditor's reference number               | 1153      |
| <b>AIV</b>  | Event reference number                    | 1153      |
| <b>AJK</b>  | Special instructions number               | 1153      |
| <b>ALA</b>  | Procurement budget number                 | 1153      |
| <b>ALO</b>  | Receiving advice number                   | 1153      |
| <b>ALQ</b>  | Returns notice number                     | 1153      |
| <b>ANJ</b>  | Authorization number                      | 1153      |
| <b>ANK</b>  | Reference number assigned by third party  | 1153      |
| <b>AOU</b>  | Cost account                              | 1153      |
| <b>AST</b>  | Group reference number                    | 1153      |
| <b>ATP</b>  | Cost centre alignment number              | 1153      |
| <b>AVS</b>  | Mandate Reference                         | 1153      |
| <b>AWE</b>  | Cost centre                               | 1153      |
| <b>BO</b>   | Blanket order number                      | 1153      |
| <b>CN</b>   | Carrier's reference number                | 1153      |
| <b>CR</b>   | Customer reference number                 | 1153      |
| <b>CRN</b>  | Transport means journey identifier        | 1153      |
| <b>DQ</b>   | Delivery note number                      | 1153      |
| <b>EX</b>   | Export permit identifier                  | 1153      |
| <b>FC</b>   | Fiscal number                             | 1153      |
| <b>IP</b>   | Import permit identifier                  | 1153      |
| <b>IV</b>   | Invoice document identifier               | 1153      |
| <b>MH</b>   | Manufacturing order number                | 1153      |
| <b>ON</b>   | Order document identifier, buyer assigned | 1153      |
| <b>PE</b>   | Plant number                              | 1153      |
| <b>PQ</b>   | Payment reference                         | 1153      |
| <b>PS</b>   | Purchase order number suffix              | 1153      |
| <b>UCN</b>  | Unique consignment reference number       | 1153      |



## Applicable codes

| Code   | Name/description                                   | Code list |
|--|--|-----------|
| <b>VA</b>  | VAT registration number                            | 1153      |
| <b>VN</b>  | Order number (vendor)                              | 1153      |
| <b>XA</b>  | Company/place registration number                  | 1153      |
| <b>ZZZ</b>   | Mutually defined reference number                  | 1153      |
| <b>1225 Message function code</b>                          |  |           |
| Code   | Name/description                                   | Code list |
| <b>7</b>   | Duplicate  | 1225      |
| <b>9</b>   | Original   | 1225      |
| <b>2005 Date or time or period function code qualifier</b> |  |           |
| Code   | Name/description                                   | Code list |
| <b>1</b>   | Service completion date/time, actual               | 2005      |
| <b>2</b>   | Delivery date/time, requested                      | 2005      |
| <b>50</b>  | Goods receipt date/time                            | 2005      |
| <b>134</b>   | Rate of exchange date/time                         | 2005      |
| <b>137</b>   | Document issue date time                           | 2005      |
| <b>140</b>   | Payment due date                                   | 2005      |
| <b>143</b>   | Consignment acceptance date time, actual           | 2005      |
| <b>158</b>   | Horizon start date                                 | 2005      |
| <b>159</b>   | Horizon end date                                   | 2005      |
| <b>167</b>   | Charge period start date                           | 2005      |
| <b>168</b>   | Charge period end date                             | 2005      |
| <b>171</b>   | Reference date/time                                | 2005      |
| <b>191</b>   | Delivery date/time, expected                       | 2005      |
| <b>375</b>   | Date of first registration                         | 2005      |
| <b>2009 Terms time relation code</b>                       |  |           |
| Code   | Name/description                                   | Code list |
| <b>1</b>   | Reference date                                     | 2009      |
| <b>2</b>   | Before reference                                   | 2009      |
| <b>3</b>   | After reference                                    | 2009      |
| <b>4</b>   | End of 10-day period containing the reference date | 2009      |
| <b>5</b>   | End of 2-week period containing the reference date | 2009      |
| <b>6</b>   | End of month containing the reference date         | 2009      |
| <b>8</b>   | End of quarter containing the reference date       | 2009      |
| <b>9</b>   | End of year containing the reference date          | 2009      |
| <b>12</b>  | End of half year containing the reference date     | 2009      |
| <b>2151 Period type code</b>                               |  |           |
| Code   | Name/description                                   | Code list |
| <b>3M</b>  | Quarter  | 2151      |
| <b>6M</b>  | Half-year  | 2151      |
| <b>D</b>   | Day  | 2151      |
| <b>M</b>   | Month  | 2151      |
| <b>P</b>   | Four month period                                  | 2151      |
| <b>W</b>   | Week   | 2151      |
| <b>Y</b>   | Year   | 2151      |
| <b>2379 Date or time or period format code</b>             |  |           |

## Applicable codes

| Code        | Name/description  | Code list |
|-------------|---|-----------|
| <b>102</b>  | CCYYMMDD  | 2379      |
| <b>2475</b> | <b>Event time reference code</b>  |           |
| Code        | Name/description  | Code list |
| 1           | Date of order   | 2475      |
| 2           | Date of confirmation  | 2475      |
| 3           | Date of contract  | 2475      |
| 4           | Date of signature of contract   | 2475      |
| 5           | Date of invoice   | 2475      |
| 6           | Date of credit note   | 2475      |
| 7           | Date of present document  | 2475      |
| 8           | Date of confirmation of order received  | 2475      |
| 9           | Date invoice received   | 2475      |
| 10          | Latest date/time for bid reception  | 2475      |
| 11          | Date credit note received   | 2475      |
| 12          | Date present document received  | 2475      |
| 13          | Date of resale by buyer   | 2475      |
| 14          | Date proceeds of resale collected by buyer  | 2475      |
| 21          | Date goods received by buyer  | 2475      |
| 22          | Date goods received by buyer's agent  | 2475      |
| 23          | Date goods received by carrier  | 2475      |
| 24          | Date ex-works   | 2475      |
| 25          | Date goods handed over for shipment by seller or agent  | 2475      |
| 26          | Date of arrival of transport  | 2475      |
| 27          | Date of outward frontier crossing   | 2475      |
| 28          | Date of inward frontier crossing  | 2475      |
| 29          | Date of delivery of goods to establishments/domicile/site   | 2475      |
| 31          | Stipulated date for payment of documentary credit   | 2475      |
| 32          | Stipulated date for acceptance of documentary credit  | 2475      |
| 33          | Stipulated date for negotiation of documentary credit   | 2475      |
| 41          | Date of delivery to buyer of documents representing goods   | 2475      |
| 42          | Date of delivery to buyer's agent of documents representing goods   | 2475      |
| 43          | Date of delivery to carrier of documents representing goods   | 2475      |
| 44          | Date of delivery to intermediary bank of documents representing good  | 2475      |
| 45          | Date of bill of lading, consignment note or other transport document  | 2475      |
| 46          | Date of receipt for loading (mate's receipt)  | 2475      |
| 47          | Date of negotiable instrument (draft, promissory note, bank)  | 2475      |
| 48          | Date of receipt of tool dependent initial samples plus unlimited absolute bank guarantee plus value added tax | 2475      |
| 52          | Due date of negotiable instrument   | 2475      |
| 53          | Date of presentation of negotiable instrument   | 2475      |
| 54          | Date of acceptance of negotiable instrument   | 2475      |
| 55          | Date of acceptance of tooling   | 2475      |
| 56          | Date of receipt of tooling  | 2475      |
| 57          | Date of acceptance of first samples produced under production conditions                                      | 2475      |
| 60          | Date of start of work   | 2475      |
| 61          | Date of end of work   | 2475      |
| 62          | Date of provisional reception of work   | 2475      |
| 63          | Date of final acceptance of work  | 2475      |
| 64          | Date of certificate of preliminary acceptance   | 2475      |

## Applicable codes

| Code  | Name/description   | Code list |
|---|--|-----------|
| <b>65</b>                                     | Date of certificate of final acceptance                              | 2475      |
| <b>66</b>                                     | Specified date   | 2475      |
| <b>67</b>                                     | Anticipated delivery date  | 2475      |
| <b>68</b>                                     | Effective date   | 2475      |
| <b>69</b>                                     | Invoice transmission date  | 2475      |
| <b>70</b>                                     | Date of issue of transport document(s)                               | 2475      |
| <b>71</b>                                     | Date of presentation of documents                                    | 2475      |
| <b>72</b>                                     | Payment date   | 2475      |
| <b>73</b>                                     | Draft(s) at ... days sight   | 2475      |
| <b>74</b>                                     | Draft(s) at ... days date  | 2475      |
| <b>75</b>                                     | Draft(s) at ... days after date of issuance of transport document(s) | 2475      |
| <b>76</b>                                     | Draft(s) at ... days after date of presentation of documents         | 2475      |
| <b>77</b>                                     | Specified draft date   | 2475      |
| <b>78</b>                                     | Customs clearance date (import)                                      | 2475      |
| <b>79</b>                                     | Customs clearance date (export)                                      | 2475      |
| <b>80</b>                                     | Date of salary payment   | 2475      |
| <b>81</b>                                     | Date of shipment as evidenced by the transport document(s)           | 2475      |
| <b>82</b>                                     | Payment due date   | 2475      |
| <b>83</b>                                     | Requested date of delivery   | 2475      |
| <b>ZZZ</b>                                    | Other reference date agreed upon between the parties                 | 2475      |
| <b>3035 Party function code qualifier</b>     |  |           |
| Code  | Name/description   | Code list |
| <b>BI</b>                                     | Buyer's financial institution  | 3035      |
| <b>BY</b>                                     | Buyer  | 3035      |
| <b>II</b>                                     | Invoice issuer   | 3035      |
| <b>IV</b>                                     | Invoicee   | 3035      |
| <b>LC</b>                                     | Party declaring the Value Added Tax (VAT)                            | 3035      |
| <b>LD</b>                                     | Party recovering the Value Added Tax (VAT)                           | 3035      |
| <b>MF</b>                                     | Manufacturer of goods  | 3035      |
| <b>PE</b>                                     | Payee  | 3035      |
| <b>RH</b>                                     | Seller's financial institution                                       | 3035      |
| <b>SE</b>                                     | Seller   | 3035      |
| <b>SF</b>                                     | Ship from  | 3035      |
| <b>ST</b>                                     | Ship to  | 3035      |
| <b>3055 Code list responsible agency code</b> |  |           |
| Code  | Name/description   | Code list |
| <b>1</b>                                      | CCC (Customs Co-operation Council)                                   | 3055      |
| <b>2</b>                                      | CEC (Commission of the European Communities)                         | 3055      |
| <b>3</b>                                      | IATA (International Air Transport Association)                       | 3055      |
| <b>4</b>                                      | ICC (International Chamber of Commerce)                              | 3055      |
| <b>5</b>                                      | ISO (International Organization for Standardization)                 | 3055      |
| <b>6</b>                                      | UN/ECE (United Nations - Economic Commission for Europe)             | 3055      |
| <b>7</b>                                      | CEFIC (Conseil Europeen des Federations de l'Industrie Chimique)     | 3055      |
| <b>8</b>                                      | EDIFICE  | 3055      |
| <b>9</b>                                      | GS1  | 3055      |
| <b>10</b>                                     | ODETTE   | 3055      |
| <b>11</b>                                     | Lloyd's register of shipping   | 3055      |
| <b>12</b>                                     | UIC (International union of railways)                                | 3055      |

## Applicable codes

| Code | Name/description   | Code list |
|------|--|-----------|
| 13   | ICAO (International Civil Aviation Organization)                         | 3055      |
| 14   | ICS (International Chamber of Shipping)                                  | 3055      |
| 15   | RINET (Reinsurance and Insurance Network)                                | 3055      |
| 16   | US, D&B (Dun & Bradstreet Corporation)                                   | 3055      |
| 17   | S.W.I.F.T.   | 3055      |
| 18   | Conventions on SAD and transit (EC and EFTA)                             | 3055      |
| 19   | FRRC (Federal Reserve Routing Code)                                      | 3055      |
| 20   | BIC (Bureau International des Containeurs)                               | 3055      |
| 21   | Assigned by transport company  | 3055      |
| 22   | US, ISA (Information Systems Agreement)                                  | 3055      |
| 23   | FR, EDITRANSPORT   | 3055      |
| 24   | AU, ROA (Railways of Australia)  | 3055      |
| 25   | EDITEX (Europe)  | 3055      |
| 26   | NL, Foundation Uniform Transport Code                                    | 3055      |
| 27   | US, FDA (Food and Drug Administration)                                   | 3055      |
| 28   | EDITEUR (European book sector electronic data interchange group)         | 3055      |
| 29   | GB, FLEETNET   | 3055      |
| 30   | GB, ABTA (Association of British Travel Agencies)                        | 3055      |
| 31   | FI, Finish State Railway   | 3055      |
| 32   | PL, Polish State Railway   | 3055      |
| 33   | BG, Bulgaria State Railway   | 3055      |
| 34   | RO, Rumanian State Railway   | 3055      |
| 35   | CZ, Tchechian State Railway  | 3055      |
| 36   | HU, Hungarian State Railway  | 3055      |
| 37   | GB, British Railways   | 3055      |
| 38   | ES, Spanish National Railway   | 3055      |
| 39   | SE, Swedish State Railway  | 3055      |
| 40   | NO, Norwegian State Railway  | 3055      |
| 41   | DE, German Railway   | 3055      |
| 42   | AT, Austrian Federal Railways  | 3055      |
| 43   | LU, Luxembourg National Railway Company                                  | 3055      |
| 44   | IT, Italian State Railways   | 3055      |
| 45   | NL, Netherlands Railways   | 3055      |
| 46   | CH, Swiss Federal Railways   | 3055      |
| 47   | DK, Danish State Railways  | 3055      |
| 48   | FR, French National Railway Company                                      | 3055      |
| 49   | BE, Belgian National Railway Company                                     | 3055      |
| 50   | PT, Portuguese Railways  | 3055      |
| 51   | SK, Slovakian State Railways   | 3055      |
| 52   | IE, Irish Transport Company  | 3055      |
| 53   | FIATA (International Federation of Freight Forwarders Associations)      | 3055      |
| 54   | IMO (International Maritime Organisation)                                | 3055      |
| 55   | US, DOT (United States Department of Transportation)                     | 3055      |
| 56   | TW, Trade-van  | 3055      |
| 57   | TW, Chinese Taipei Customs   | 3055      |
| 58   | EUROFER  | 3055      |
| 59   | DE, EDIBAU   | 3055      |
| 60   | Assigned by national trade agency  | 3055      |
| 61   | Association Europeenne des Constructeurs de Materiel Aerospacial (AECMA) | 3055      |
| 62   | US, Distilled Spirits Council of the United States (DISCUS)              | 3055      |

## Applicable codes

| Code | Name/description   | Code list |
|------|--|-----------|
| 63   | North Atlantic Treaty Organization (NATO)                        | 3055      |
| 64   | FR, CLEEP  | 3055      |
| 65   | GS1 France   | 3055      |
| 66   | MY, Malaysian Customs and Excise                                 | 3055      |
| 67   | MY, Malaysia Central Bank  | 3055      |
| 68   | GS1 Italy  | 3055      |
| 69   | US, National Alcohol Beverage Control Association (NABCA)        | 3055      |
| 70   | MY, Dagang.Net   | 3055      |
| 71   | US, FCC (Federal Communications Commission)                      | 3055      |
| 72   | US, MARAD (Maritime Administration)                              | 3055      |
| 73   | US, DSAA (Defense Security Assistance Agency)                    | 3055      |
| 74   | US, NRC (Nuclear Regulatory Commission)                          | 3055      |
| 75   | US, ODTC (Office of Defense Trade Controls)                      | 3055      |
| 76   | US, ATF (Bureau of Alcohol, Tobacco and Firearms)                | 3055      |
| 77   | US, BXA (Bureau of Export Administration)                        | 3055      |
| 78   | US, FWS (Fish and Wildlife Service)                              | 3055      |
| 79   | US, OFAC (Office of Foreign Assets Control)                      | 3055      |
| 80   | BRMA/RAA - LIMNET - RINET Joint Venture                          | 3055      |
| 81   | RU, (SFT) Society for Financial Telecommunications               | 3055      |
| 82   | NO, Enhetsregisteret ved Bronnoysundregistre                     | 3055      |
| 83   | US, National Retail Federation                                   | 3055      |
| 84   | DE, BRD (Gesetzgeber der Bundesrepublik Deutschland)             | 3055      |
| 85   | North America, Telecommunications Industry Forum                 | 3055      |
| 86   | Assigned by party originating the message                        | 3055      |
| 87   | Assigned by carrier  | 3055      |
| 88   | Assigned by owner of operation                                   | 3055      |
| 89   | Assigned by distributor  | 3055      |
| 90   | Assigned by manufacturer   | 3055      |
| 91   | Assigned by seller or seller's agent                             | 3055      |
| 92   | Assigned by buyer or buyer's agent                               | 3055      |
| 93   | AT, Austrian Customs   | 3055      |
| 94   | AT, Austrian PTT   | 3055      |
| 95   | AU, Australian Customs Service                                   | 3055      |
| 96   | CA, Revenue Canada, Customs and Excise                           | 3055      |
| 97   | CH, Administration federale des contributions                    | 3055      |
| 98   | CH, Direction generale des douanes                               | 3055      |
| 99   | CH, Division des importations et exportations, OFAEE             | 3055      |
| 100  | CH, Entreprise des PTT   | 3055      |
| 101  | CH, Carbur   | 3055      |
| 102  | CH, Centrale suisse pour l'importation du charbon                | 3055      |
| 103  | CH, Office fiduciaire des importateurs de denrees alimentaires   | 3055      |
| 104  | CH, Association suisse code des articles                         | 3055      |
| 105  | DK, Ministry of taxation, Central Customs and Tax Administration | 3055      |
| 106  | FR, Direction generale des douanes et droits indirects           | 3055      |
| 107  | FR, INSEE  | 3055      |
| 108  | FR, Banque de France   | 3055      |
| 109  | GB, H.M. Customs & Excise  | 3055      |
| 110  | IE, Revenue Commissioners, Customs AEP project                   | 3055      |
| 111  | US, U.S. Customs Service   | 3055      |
| 112  | US, U.S. Census Bureau   | 3055      |

## Applicable codes

| Code | Name/description   | Code list |
|------|--|-----------|
| 113  | GS1 US   | 3055      |
| 114  | US, ABA (American Bankers Association)                             | 3055      |
| 116  | US, ANSI ASC X12   | 3055      |
| 117  | AT, Geldausgabeautomaten-Service Gesellschaft m.b.H.               | 3055      |
| 118  | SE, Svenska Bankfoereningen  | 3055      |
| 119  | IT, Associazione Bancaria Italiana                                 | 3055      |
| 120  | IT, Societa' Interbancaria per l'Automazione                       | 3055      |
| 121  | CH, Telekurs AG  | 3055      |
| 122  | CH, Swiss Securities Clearing Corporation                          | 3055      |
| 123  | NO, Norwegian Interbank Research Organization                      | 3055      |
| 124  | NO, Norwegian Bankers' Association                                 | 3055      |
| 125  | FI, The Finnish Bankers' Association                               | 3055      |
| 126  | US, NCCMA (Account Analysis Codes)                                 | 3055      |
| 127  | DE, ARE (Abrechnungs Einheit)                                      | 3055      |
| 128  | BE, Belgian Bankers' Association                                   | 3055      |
| 129  | BE, Belgian Ministry of Finance                                    | 3055      |
| 130  | DK, Danish Bankers Association                                     | 3055      |
| 131  | DE, German Bankers Association                                     | 3055      |
| 132  | GB, BACS Limited   | 3055      |
| 133  | GB, Association for Payment Clearing Services                      | 3055      |
| 134  | GB, APACS (Association of payment clearing services)               | 3055      |
| 135  | GB, The Clearing House   | 3055      |
| 136  | GS1 UK   | 3055      |
| 137  | AT, Verband oesterreichischer Banken und Bankiers                  | 3055      |
| 138  | FR, CFONB (Comite francais d'organ. et de normalisation bancaires) | 3055      |
| 139  | Universal Postal Union (UPU)                                       | 3055      |
| 140  | CEC (Commission of the European Communities), DG/XXI-01            | 3055      |
| 141  | CEC (Commission of the European Communities), DG/XXI-B-1           | 3055      |
| 142  | CEC (Commission of the European Communities), DG/XXXIV             | 3055      |
| 143  | NZ, New Zealand Customs  | 3055      |
| 144  | NL, Netherlands Customs  | 3055      |
| 145  | SE, Swedish Customs  | 3055      |
| 146  | DE, German Customs   | 3055      |
| 147  | BE, Belgian Customs  | 3055      |
| 148  | ES, Spanish Customs  | 3055      |
| 149  | IL, Israel Customs   | 3055      |
| 150  | HK, Hong Kong Customs  | 3055      |
| 151  | JP, Japan Customs  | 3055      |
| 152  | SA, Saudi Arabia Customs   | 3055      |
| 153  | IT, Italian Customs  | 3055      |
| 154  | GR, Greek Customs  | 3055      |
| 155  | PT, Portuguese Customs   | 3055      |
| 156  | LU, Luxembourg Customs   | 3055      |
| 157  | NO, Norwegian Customs  | 3055      |
| 158  | FI, Finnish Customs  | 3055      |
| 159  | IS, Iceland Customs  | 3055      |
| 160  | LI, Liechtenstein authority  | 3055      |
| 161  | UNCTAD (United Nations - Conference on Trade And Development)      | 3055      |
| 162  | CEC (Commission of the European Communities), DG/XIII-D-5          | 3055      |
| 163  | US, FMC (Federal Maritime Commission)                              | 3055      |

## Applicable codes

| Code | Name/description  | Code list |
|------|---|-----------|
| 164  | US, DEA (Drug Enforcement Agency)   | 3055      |
| 165  | US, DCI (Distribution Codes, INC.)  | 3055      |
| 166  | US, National Motor Freight Classification Association   | 3055      |
| 167  | US, AIAG (Automotive Industry Action Group)   | 3055      |
| 168  | US, FIPS (Federal Information Publishing Standard)  | 3055      |
| 169  | CA, SCC (Standards Council of Canada)   | 3055      |
| 170  | CA, CPA (Canadian Payment Association)  | 3055      |
| 171  | NL, Interpay Girale Services  | 3055      |
| 172  | NL, Interpay Debit Card Services  | 3055      |
| 173  | NO, NORPRO  | 3055      |
| 174  | DE, DIN (Deutsches Institut fuer Normung)   | 3055      |
| 175  | FCI (Factors Chain International)   | 3055      |
| 176  | BR, Banco Central do Brazil   | 3055      |
| 177  | AU, LIFA (Life Insurance Federation of Australia)   | 3055      |
| 178  | AU, SAA (Standards Association of Australia)  | 3055      |
| 179  | US, Air transport association of America  | 3055      |
| 180  | DE, BIA (Berufsgenossenschaftliches Institut fuer Arbeitssicherheit)                                  | 3055      |
| 181  | Edibuild  | 3055      |
| 182  | US, Standard Carrier Alpha Code (Motor)   | 3055      |
| 183  | US, American Petroleum Institute  | 3055      |
| 184  | AU, ACOS (Australian Chamber of Shipping)   | 3055      |
| 185  | DE, BDI (Bundesverband der Deutschen Industrie e.V.)  | 3055      |
| 186  | US, GSA (General Services Administration)   | 3055      |
| 187  | US, DLMSO (Defense Logistics Management Standards Office)   | 3055      |
| 188  | US, NIST (National Institute of Standards and Technology)   | 3055      |
| 189  | US, DoD (Department of Defense)   | 3055      |
| 190  | US, VA (Department of Veterans Affairs)   | 3055      |
| 191  | IAPSO (United Nations Inter-Agency Procurement Services Office)                                       | 3055      |
| 192  | Shipper's association   | 3055      |
| 193  | EU, European Telecommunications Informatics Services (ETIS)   | 3055      |
| 194  | AU, AQIS (Australian Quarantine and Inspection Service)   | 3055      |
| 195  | CO, DIAN (Direccion de Impuestos y Aduanas Nacionales)  | 3055      |
| 196  | US, COPAS (Council of Petroleum Accounting Society)   | 3055      |
| 197  | US, DISA (Data Interchange Standards Association)   | 3055      |
| 198  | CO, Superintendencia Bancaria De Colombia   | 3055      |
| 199  | FR, Direction de la Comptabilite Publique   | 3055      |
| 200  | GS1 Netherlands   | 3055      |
| 201  | US, WSSA(Wine and Spirits Shippers Association)   | 3055      |
| 202  | PT, Banco de Portugal   | 3055      |
| 203  | FR, GALIA (Groupement pour l'Amelioration des Liaisons dans l'Industrie Automobile)                   | 3055      |
| 204  | DE, VDA (Verband der Automobilindustrie E.V.)   | 3055      |
| 205  | IT, ODETTE Italy  | 3055      |
| 206  | NL, ODETTE Netherlands  | 3055      |
| 207  | ES, ODETTE Spain  | 3055      |
| 208  | SE, ODETTE Sweden   | 3055      |
| 209  | GB, ODETTE United Kingdom   | 3055      |
| 210  | EU, EDI for financial, informational, cost, accounting, auditing and social areas (EDIFICAS) - Europe | 3055      |
| 211  | FR, EDI for financial, informational, cost, accounting, auditing and social areas (EDIFICAS) - France | 3055      |

## Applicable codes

| Code | Name/description   | Code list |
|------|--|-----------|
| 212  | DE, Deutsch Telekom AG   | 3055      |
| 213  | JP, NACCS Center (Nippon Automated Cargo Clearance System Operations Organization) | 3055      |
| 214  | US, AISI (American Iron and Steel Institute)                                       | 3055      |
| 215  | AU, APCA (Australian Payments Clearing Association)                                | 3055      |
| 216  | US, Department of Labor  | 3055      |
| 217  | US, N.A.I.C. (National Association of Insurance Commissioners)                     | 3055      |
| 218  | GB, The Association of British Insurers  | 3055      |
| 219  | FR, d'ArvA   | 3055      |
| 220  | FI, Finnish tax board  | 3055      |
| 221  | FR, CNAMTS (Caisse Nationale de l'Assurance Maladie des Travailleurs Salaries)     | 3055      |
| 222  | DK, Danish National Board of Health  | 3055      |
| 223  | DK, Danish Ministry of Home Affairs  | 3055      |
| 224  | US, Aluminum Association   | 3055      |
| 225  | US, CIDX (Chemical Industry Data Exchange)   | 3055      |
| 226  | US, Carbide Manufacturers  | 3055      |
| 227  | US, NWDA (National Wholesale Druggist Association)                                 | 3055      |
| 228  | US, EIA (Electronic Industry Association)  | 3055      |
| 229  | US, American Paper Institute   | 3055      |
| 230  | US, VICS (Voluntary Inter-Industry Commerce Standards)                             | 3055      |
| 231  | Copper and Brass Fabricators Council   | 3055      |
| 232  | GB, Inland Revenue   | 3055      |
| 233  | US, OMB (Office of Management and Budget)  | 3055      |
| 234  | DE, Siemens AG   | 3055      |
| 235  | AU, Tradegate (Electronic Commerce Australia)                                      | 3055      |
| 236  | US, United States Postal Service (USPS)  | 3055      |
| 237  | US, United States health industry  | 3055      |
| 238  | US, TDCC (Transportation Data Coordinating Committee)                              | 3055      |
| 239  | US, HL7 (Health Level 7)   | 3055      |
| 240  | US, CHIPS (Clearing House Interbank Payment Systems)                               | 3055      |
| 241  | PT, SIBS (Sociedade Interbancaria de Servicos)                                     | 3055      |
| 244  | US, Department of Health and Human Services  | 3055      |
| 245  | GS1 Denmark  | 3055      |
| 246  | GS1 Germany  | 3055      |
| 247  | US, HBICC (Health Industry Business Communication Council)                         | 3055      |
| 248  | US, ASTM (American Society of Testing and Materials)                               | 3055      |
| 249  | IP (Institute of Petroleum)  | 3055      |
| 250  | US, UOP (Universal Oil Products)   | 3055      |
| 251  | AU, HIC (Health Insurance Commission)  | 3055      |
| 252  | AU, AIHW (Australian Institute of Health and Welfare)                              | 3055      |
| 253  | AU, NCCH (National Centre for Classification in Health)                            | 3055      |
| 254  | AU, DOH (Australian Department of Health)  | 3055      |
| 255  | AU, ADA (Australian Dental Association)  | 3055      |
| 256  | US, AAR (Association of American Railroads)  | 3055      |
| 257  | ECCMA (Electronic Commerce Code Management Association)                            | 3055      |
| 258  | JP, Japanese Ministry of Transport   | 3055      |
| 259  | JP, Japanese Maritime Safety Agency  | 3055      |
| 260  | ebIX (European forum for energy Business Information eXchange)                     | 3055      |
| 261  | EEG7, European Expert Group 7 (Insurance)  | 3055      |
| 262  | DE, GDV (Gesamtverband der Deutschen Versicherungswirtschaft e.V.)                 | 3055      |
| 263  | CA, CSIO (Centre for Study of Insurance Operations)                                | 3055      |



## Applicable codes

| Code | Name/description   | Code list |
|------|--|-----------|
| 264  | FR, AGF (Assurances Generales de France)   | 3055      |
| 265  | SE, Central bank   | 3055      |
| 266  | US, DoA (Department of Agriculture)  | 3055      |
| 267  | RU, Central Bank of Russia   | 3055      |
| 268  | FR, DGI (Direction Generale des Impots)  | 3055      |
| 269  | GRE (Reference Group of Experts)   | 3055      |
| 270  | Concord EDI group  | 3055      |
| 271  | InterContainer InterFrigo  | 3055      |
| 272  | Joint Automotive Industry agency   | 3055      |
| 273  | CH, SCC (Swiss Chambers of Commerce)   | 3055      |
| 274  | ITIGG (International Transport Implementation Guidelines Group)  | 3055      |
| 275  | ES, Banco de España  | 3055      |
| 276  | Assigned by Port Community   | 3055      |
| 277  | BIGNet (Business Information Group Network)  | 3055      |
| 278  | Eurogate   | 3055      |
| 279  | NL, Graydon  | 3055      |
| 280  | FR, Euler  | 3055      |
| 281  | GS1 Belgium and Luxembourg   | 3055      |
| 282  | DE, Creditreform International e.V.  | 3055      |
| 283  | DE, Hermes Kreditversicherungs AG  | 3055      |
| 284  | TW, Taiwanese Bankers' Association   | 3055      |
| 285  | ES, Asociación Española de Banca   | 3055      |
| 286  | SE, TCO (Tjänstemännens Central Organisation)  | 3055      |
| 287  | DE, FORTRAS (Forschungs- und Entwicklungsgesellschaft für Transportwesen GMBH)                           | 3055      |
| 288  | OSJD (Organizacija Sotrudnichestva Zeleznih Dorog)   | 3055      |
| 289  | JP, JIPDEC/ECPC (Japan Information Processing Development Center / Electronic Commerce Promotion Center) | 3055      |
| 290  | JP, JAMA   | 3055      |
| 291  | JP, JAPIA  | 3055      |
| 292  | FI, TIEKE The Information Technology Development Centre of Finland                                       | 3055      |
| 293  | DE, BDEW (Bundesverband der Energie- und Wasserwirtschaft e.V.)  | 3055      |
| 294  | GS1 Austria  | 3055      |
| 295  | AU, Australian Therapeutic Goods Administration  | 3055      |
| 296  | ITU (International Telecommunication Union)  | 3055      |
| 297  | IT, Ufficio IVA  | 3055      |
| 298  | GS1 Spain  | 3055      |
| 299  | BE, Seagha   | 3055      |
| 300  | SE, Swedish International Freight Association  | 3055      |
| 301  | DE, BauDatenbank GmbH  | 3055      |
| 302  | DE, Bundesverband des Deutschen Textileinzelhandels e.V.   | 3055      |
| 303  | GB, Trade Service Information Ltd (TSI)  | 3055      |
| 304  | DE, Bundesverband Deutscher Heimwerker-, Bau- und Gartenfachmaerkte e.V.                                 | 3055      |
| 305  | ETSO (European Transmission System Operator)   | 3055      |
| 306  | SMDG (Ship-planning Message Design Group)  | 3055      |
| 307  | JP, Ministry of Justice  | 3055      |
| 308  | DE, FORTRAS (Forschungs- und Entwicklungsgesellschaft für Transportwesen mbH)                            | 3055      |
| 309  | JP, JASTPRO (Japan Association for Simplification of International Trade Procedures)                     | 3055      |
| 310  | DE, SAP AG (Systeme, Anwendungen und Produkte)   | 3055      |
| 311  | JP, TDB (Teikoku Databank, Ltd.)   | 3055      |
| 312  | FR, AGRO EDI EUROPE  | 3055      |

## Applicable codes

| Code | Name/description  | Code list |
|------|---|-----------|
| 313  | FR, Groupement National Interprofessionnel des Semences et Plants                 | 3055      |
| 314  | OAGi (Open Applications Group, Incorporated)                                      | 3055      |
| 315  | US, STAR (Standards for Technology in Automotive Retail)                          | 3055      |
| 316  | GS1 Finland   | 3055      |
| 317  | GS1 Brazil  | 3055      |
| 318  | IETF (Internet Engineering Task Force)  | 3055      |
| 319  | FR, GTF   | 3055      |
| 320  | DK, Danish National IT and Telecom Agency (ITA)                                   | 3055      |
| 321  | EASEE-Gas (European Association for the Streamlining of Energy Exchange for gas)  | 3055      |
| 322  | IS, ICEPRO  | 3055      |
| 323  | PROTECT   | 3055      |
| 324  | GS1 Ireland   | 3055      |
| 325  | GS1 Russia  | 3055      |
| 326  | GS1 Poland  | 3055      |
| 327  | GS1 Estonia   | 3055      |
| 328  | Assigned by ultimate recipient of the message                                     | 3055      |
| 329  | Assigned by loading dock operator   | 3055      |
| 330  | Nordic Ediel Group  | 3055      |
| 331  | US, Agricultural Marketing Service (AMS)  | 3055      |
| 332  | DE, DVGW Service & Consult GmbH   | 3055      |
| 333  | US, Animal and Plant Health Inspection Service (APHIS)                            | 3055      |
| 334  | US, Bureau of Labor Statistics (BLS)  | 3055      |
| 335  | US, Bureau of Transportation Statistics (BTS)                                     | 3055      |
| 336  | US, Customs and Border Protection (CBP)   | 3055      |
| 337  | US, Center for Disease Control (CDC)  | 3055      |
| 338  | US, Consumer Product Safety Commission (CPSC)                                     | 3055      |
| 339  | US, Directorate of Defense Trade Controls (DDTC)                                  | 3055      |
| 340  | US, Environmental Protection Agency (EPA)   | 3055      |
| 341  | US, Federal Aviation Administration (FAA)   | 3055      |
| 342  | US, Foreign Agriculture Service (FAS)   | 3055      |
| 343  | US, Federal Motor Carrier Safety Administration (FMCSA)                           | 3055      |
| 344  | US, Food Safety Inspection Service (FSIS)   | 3055      |
| 345  | US, Foreign Trade Zones Board (FTZB)  | 3055      |
| 346  | US, The Grain Inspection, Packers and Stockyards Administration (GIPSA)           | 3055      |
| 347  | US, Import Administration (IA)  | 3055      |
| 348  | US, Internal Revenue Service (IRS)  | 3055      |
| 349  | US, International Trade Commission (ITC)  | 3055      |
| 350  | US, National Highway Traffic Safety Administration (NHTSA)                        | 3055      |
| 351  | US, National Marine Fisheries Service (NMFS)                                      | 3055      |
| 352  | US, Office of Fossil Energy (OFE)   | 3055      |
| 353  | US, Office of Foreign Missions (OFM)  | 3055      |
| 354  | US, Bureau of Oceans and International Environmental and Scientific Affairs (OES) | 3055      |
| 355  | US, Office of Naval Intelligence (ONI)  | 3055      |
| 356  | US, Pipeline and Hazardous Materials Safety Administration (PHMSA)                | 3055      |
| 357  | US, Alcohol and Tobacco Tax and Trade Bureau (TTB)                                | 3055      |
| 358  | US, Army Corp of Engineers (USACE)  | 3055      |
| 359  | US, Agency for International Development (USAID)                                  | 3055      |
| 360  | US, Coast Guard (USCG)  | 3055      |
| 361  | US, Office of the United States Trade Representative (USTR)                       | 3055      |
| 362  | International Commission for the Conservation of Atlantic Tunas (ICCAT)           | 3055      |

## Applicable codes

| Code | Name/description   | Code list |
|------|--|-----------|
| 363  | Inter-American Tropical Tuna Commission (IATTC)                  | 3055      |
| 364  | Commission for the Conservation of Southern Bluefin Tuna (CCSBT) | 3055      |
| 365  | Indian Ocean Tuna Commission (IOTC)                              | 3055      |
| 366  | International Botanical Congress                                 | 3055      |
| 367  | International Commission on Zoological Nomenclature              | 3055      |
| 368  | International Society for Horticulture Science                   | 3055      |
| 369  | Chemical Abstract Service (CAS)                                  | 3055      |
| 370  | Social Security Administration (SSA)                             | 3055      |
| 371  | INMARSAT   | 3055      |
| 372  | Agent of ship at the intended port of arrival                    | 3055      |
| 373  | US Air Force   | 3055      |
| 374  | US, Bureau of Explosives   | 3055      |
| 375  | Basel Convention Secretariat                                     | 3055      |
| 376  | PANTONE  | 3055      |
| 377  | IS, National Registry of Iceland                                 | 3055      |
| 378  | IS, Internal Revenue Directorate of Iceland                      | 3055      |
| 379  | IANA (Internet Assigned Numbers Authority)                       | 3055      |
| 380  | Korea Customs Service  | 3055      |
| 381  | Israel Tax Authority   | 3055      |
| 382  | Israeli Ministry of Interior                                     | 3055      |
| 383  | FR, LUMD (Logistique Urbaine Mutualisée Durable)                 | 3055      |
| 384  | DE, BiPRO (Brancheninitiative Prozessoptimierung)                | 3055      |
| 385  | JO, Jordan Ministry of Agriculture                               | 3055      |
| 386  | JO, Jordan Customs   | 3055      |
| 387  | JO, Jordan Food & Drug Administration                            | 3055      |
| 388  | JO, Jordan Institution for Standards and Metrology               | 3055      |
| 389  | JO, Jordan Telecommunication Regulatory Commission               | 3055      |
| 390  | JO, Jordan Nuclear Regulatory Commission                         | 3055      |
| 391  | JO, Jordan Ministry of Environment                               | 3055      |
| 392  | Hazardous waste collector  | 3055      |
| 393  | Hazardous waste generator  | 3055      |
| 394  | Marketing agent  | 3055      |
| 395  | BE, TELEBIB Centre   | 3055      |
| 396  | BE, BNB  | 3055      |
| 397  | BE, FSMA   | 3055      |
| 398  | FR, PHAST  | 3055      |
| 399  | EXIS (Exis Technologies Ltd.)                                    | 3055      |
| 400  | FAO (Food and Agriculture Organisation)                          | 3055      |
| 401  | CH, Spedlogswiss   | 3055      |
| 402  | JP, National Tax Agency  | 3055      |
| 403  | Comite Européen de Normalisation                                 | 3055      |
| 404  | Assigned by logistics service provider                           | 3055      |
| 405  | Assigned by transport ministry                                   | 3055      |
| 406  | AR, Customs Administration of Argentina                          | 3055      |
| 407  | BO, Customs Administration of Bolivia                            | 3055      |
| 408  | BR, Customs Administration of Brazil                             | 3055      |
| 409  | PY, Customs Administration of Paraguay                           | 3055      |
| 410  | UY, Customs Administration of Uruguay                            | 3055      |
| 411  | VE, Customs Administration of Venezuela                          | 3055      |
| 412  | IN, Customs Administration of India                              | 3055      |

## Applicable codes

| Code        | Name/description                     | Code list |
|-------------|--------------------------------------|-----------|
| <b>ZZZ</b>  | Mutually defined                     | 3055      |
| <b>3139</b> | <b>Contact function code</b>         |           |
| Code        | Name/description                     | Code list |
| <b>AC</b>   | Accepting contact                    | 3139      |
| <b>AD</b>   | Accounting contact                   | 3139      |
| <b>DL</b>   | Delivery contact                     | 3139      |
| <b>IC</b>   | Information contact                  | 3139      |
| <b>PD</b>   | Purchasing contact                   | 3139      |
| <b>QA</b>   | Quality assurance contact            | 3139      |
| <b>3155</b> | <b>Communication means type code</b> |           |
| Code        | Name/description                     | Code list |
| <b>EM</b>   | Electronic mail                      | 3155      |
| <b>FX</b>   | Telefax                              | 3155      |
| <b>IM</b>   | Internal mail                        | 3155      |
| <b>TE</b>   | Telephone                            | 3155      |
| <b>3207</b> | <b>Country identifier</b>            |           |
| Code        | Name/description                     | Code list |
| <b>AD</b>   | ANDORRA                              | 3207      |
| <b>AE</b>   | UNITED ARAB EMIRATES                 | 3207      |
| <b>AF</b>   | AFGHANISTAN                          | 3207      |
| <b>AG</b>   | ANTIGUA AND BARBUDA                  | 3207      |
| <b>AI</b>   | ANGUILLA                             | 3207      |
| <b>AL</b>   | ALBANIA                              | 3207      |
| <b>AM</b>   | ARMENIA                              | 3207      |
| <b>AN</b>   | NETHERLANDS ANTILLES                 | 3207      |
| <b>AO</b>   | ANGOLA                               | 3207      |
| <b>AQ</b>   | ANTARCTICA                           | 3207      |
| <b>AR</b>   | ARGENTINA                            | 3207      |
| <b>AS</b>   | AMERICAN SAMOA                       | 3207      |
| <b>AT</b>   | AUSTRIA                              | 3207      |
| <b>AU</b>   | AUSTRALIA                            | 3207      |
| <b>AW</b>   | ARUBA                                | 3207      |
| <b>AX</b>   | ÅLAND ISLANDS                        | 3207      |
| <b>AZ</b>   | AZERBAIJAN                           | 3207      |
| <b>BA</b>   | BOSNIA AND HERZEGOVINA               | 3207      |
| <b>BB</b>   | BARBADOS                             | 3207      |
| <b>BD</b>   | BANGLADESH                           | 3207      |
| <b>BE</b>   | BELGIUM                              | 3207      |
| <b>BF</b>   | BURKINA FASO                         | 3207      |
| <b>BG</b>   | BULGARIA                             | 3207      |
| <b>BH</b>   | BAHRAIN                              | 3207      |
| <b>BI</b>   | BURUNDI                              | 3207      |
| <b>BJ</b>   | BENIN                                | 3207      |
| <b>BL</b>   | SAINT BARTHÉLEMY                     | 3207      |
| <b>BM</b>   | BERMUDA                              | 3207      |
| <b>BN</b>   | BRUNEI DARUSSALAM                    | 3207      |
| <b>BO</b>   | BOLIVIA (PLURINATIONAL STATE OF)     | 3207      |
| <b>BQ</b>   |                                      |           |

## Applicable codes

| Code      | Name/description                                     | Code list |
|-----------|--|-----------|
|           | BONAIRE, SINT EUSTATIUS AND SABA                     | 3207      |
| <b>BR</b> | BRAZIL   | 3207      |
| <b>BS</b> | BAHAMAS  | 3207      |
| <b>BT</b> | BHUTAN   | 3207      |
| <b>BV</b> | BOUVET ISLAND  | 3207      |
| <b>BW</b> | BOTSWANA   | 3207      |
| <b>BY</b> | BELARUS  | 3207      |
| <b>BZ</b> | BELIZE   | 3207      |
| <b>CA</b> | CANADA   | 3207      |
| <b>CC</b> | COCOS (KEELING) ISLANDS                              | 3207      |
| <b>CD</b> | CONGO, DEMOCRATIC REPUBLIC OF                        | 3207      |
| <b>CF</b> | CENTRAL AFRICAN REPUBLIC                             | 3207      |
| <b>CG</b> | CONGO  | 3207      |
| <b>CH</b> | SWITZERLAND  | 3207      |
| <b>CI</b> | COTE D'IVOIRE  | 3207      |
| <b>CK</b> | COOK ISLANDS   | 3207      |
| <b>CL</b> | CHILE  | 3207      |
| <b>CM</b> | CAMEROON   | 3207      |
| <b>CN</b> | CHINA  | 3207      |
| <b>CO</b> | COLOMBIA   | 3207      |
| <b>CR</b> | COSTA RICA   | 3207      |
| <b>CS</b> | SERBIA AND MONTENEGRO                                | 3207      |
| <b>CU</b> | CUBA   | 3207      |
| <b>CV</b> | CAPE VERDE   | 3207      |
| <b>CW</b> | CURAÇAO  | 3207      |
| <b>CX</b> | CHRISTMAS ISLAND                                     | 3207      |
| <b>CY</b> | CYPRUS   | 3207      |
| <b>CZ</b> | CZECHIA  | 3207      |
| <b>DE</b> | GERMANY  | 3207      |
| <b>DJ</b> | DJIBOUTI   | 3207      |
| <b>DK</b> | DENMARK  | 3207      |
| <b>DM</b> | DOMINICA   | 3207      |
| <b>DO</b> | DOMINICAN REPUBLIC                                   | 3207      |
| <b>DZ</b> | ALGERIA  | 3207      |
| <b>EC</b> | ECUADOR  | 3207      |
| <b>EE</b> | ESTONIA  | 3207      |
| <b>EG</b> | EGYPT  | 3207      |
| <b>EH</b> | WESTERN SAHARA                                       | 3207      |
| <b>ER</b> | ERITREA  | 3207      |
| <b>ES</b> | SPAIN  | 3207      |
| <b>ET</b> | ETHIOPIA   | 3207      |
| <b>FI</b> | FINLAND  | 3207      |
| <b>FJ</b> | FIJI   | 3207      |
| <b>FK</b> | FALKLAND ISLANDS (MALVINAS)                          | 3207      |
| <b>FM</b> | MICRONESIA (FEDERATED STATES OF)                     | 3207      |
| <b>FO</b> | FAROE ISLANDS  | 3207      |
| <b>FR</b> | FRANCE   | 3207      |
| <b>GA</b> | GABON  | 3207      |
| <b>GB</b> | UNITED KINGDOM OF GREAT BRITAIN AND NORTHERN IRELAND | 3207      |
| <b>GD</b> | GRENADA  | 3207      |

## Applicable codes

| Code      | Name/description                             | Code list |
|-----------|--|-----------|
| <b>GE</b> | GEORGIA                                      | 3207      |
| <b>GF</b> | FRENCH GUIANA                                | 3207      |
| <b>GG</b> | GUERNSEY                                     | 3207      |
| <b>GH</b> | GHANA  | 3207      |
| <b>GI</b> | GIBRALTAR                                    | 3207      |
| <b>GL</b> | GREENLAND                                    | 3207      |
| <b>GM</b> | GAMBIA                                       | 3207      |
| <b>GN</b> | GUINEA                                       | 3207      |
| <b>GP</b> | GUADELOUPE                                   | 3207      |
| <b>GQ</b> | EQUATORIAL GUINEA                            | 3207      |
| <b>GR</b> | GREECE                                       | 3207      |
| <b>GS</b> | SOUTH GEORGIA AND THE SOUTH SANDWICH ISLANDS | 3207      |
| <b>GT</b> | GUATEMALA                                    | 3207      |
| <b>GU</b> | GUAM   | 3207      |
| <b>GW</b> | GUINEA-BISSAU                                | 3207      |
| <b>GY</b> | GUYANA                                       | 3207      |
| <b>HK</b> | HONG KONG                                    | 3207      |
| <b>HM</b> | HEARD ISLAND AND MCDONALD ISLANDS            | 3207      |
| <b>HN</b> | HONDURAS                                     | 3207      |
| <b>HR</b> | CROATIA                                      | 3207      |
| <b>HT</b> | HAITI  | 3207      |
| <b>HU</b> | HUNGARY                                      | 3207      |
| <b>ID</b> | INDONESIA                                    | 3207      |
| <b>IE</b> | IRELAND                                      | 3207      |
| <b>IL</b> | ISRAEL                                       | 3207      |
| <b>IM</b> | ISLE OF MAN                                  | 3207      |
| <b>IN</b> | INDIA  | 3207      |
| <b>IO</b> | BRITISH INDIAN OCEAN TERRITORY               | 3207      |
| <b>IQ</b> | IRAQ   | 3207      |
| <b>IR</b> | IRAN (ISLAMIC REPUBLIC OF)                   | 3207      |
| <b>IS</b> | ICELAND                                      | 3207      |
| <b>IT</b> | ITALY  | 3207      |
| <b>JE</b> | JERSEY                                       | 3207      |
| <b>JM</b> | JAMAICA                                      | 3207      |
| <b>JO</b> | JORDAN                                       | 3207      |
| <b>JP</b> | JAPAN  | 3207      |
| <b>KE</b> | KENYA  | 3207      |
| <b>KG</b> | KYRGYZSTAN                                   | 3207      |
| <b>KH</b> | CAMBODIA                                     | 3207      |
| <b>KI</b> | KIRIBATI                                     | 3207      |
| <b>KM</b> | COMOROS                                      | 3207      |
| <b>KN</b> | SAINT KITTS AND NEVIS                        | 3207      |
| <b>KP</b> | KOREA (DEMOCRATIC PEOPLE'S REPUBLIC OF)      | 3207      |
| <b>KR</b> | KOREA, REPUBLIC OF                           | 3207      |
| <b>KW</b> | KUWAIT                                       | 3207      |
| <b>KY</b> | CAYMAN ISLANDS                               | 3207      |
| <b>KZ</b> | KAZAKHSTAN                                   | 3207      |
| <b>LA</b> | LAO PEOPLE'S DEMOCRATIC REPUBLIC             | 3207      |
| <b>LB</b> | LEBANON                                      | 3207      |
| <b>LC</b> | SAINT LUCIA                                  | 3207      |

## Applicable codes

| Code | Name/description                           | Code list |
|------|--|-----------|
| LI   | LIECHTENSTEIN                              | 3207      |
| LK   | SRI LANKA                                  | 3207      |
| LR   | LIBERIA                                    | 3207      |
| LS   | LESOTHO                                    | 3207      |
| LT   | LITHUANIA                                  | 3207      |
| LU   | LUXEMBOURG                                 | 3207      |
| LV   | LATVIA                                     | 3207      |
| LY   | LIBYA                                      | 3207      |
| MA   | MOROCCO                                    | 3207      |
| MC   | MONACO                                     | 3207      |
| MD   | MOLDOVA, REPUBLIC OF                       | 3207      |
| ME   | MONTENEGRO                                 | 3207      |
| MF   | SAINT MARTIN (FRENCH PART)                 | 3207      |
| MG   | MADAGASCAR                                 | 3207      |
| MH   | MARSHALL ISLANDS                           | 3207      |
| MK   | MACEDONIA, THE FORMER YUGOSLAV REPUBLIC OF | 3207      |
| ML   | MALI                                       | 3207      |
| MM   | MYANMAR                                    | 3207      |
| MN   | MONGOLIA                                   | 3207      |
| MO   | MACAO                                      | 3207      |
| MP   | NORTHERN MARIANA ISLANDS                   | 3207      |
| MQ   | MARTINIQUE                                 | 3207      |
| MR   | MAURITANIA                                 | 3207      |
| MS   | MONTSERRAT                                 | 3207      |
| MT   | MALTA                                      | 3207      |
| MU   | MAURITIUS                                  | 3207      |
| MV   | MALDIVES                                   | 3207      |
| MW   | MALAWI                                     | 3207      |
| MX   | MEXICO                                     | 3207      |
| MY   | MALAYSIA                                   | 3207      |
| MZ   | MOZAMBIQUE                                 | 3207      |
| NA   | NAMIBIA                                    | 3207      |
| NC   | NEW CALEDONIA                              | 3207      |
| NE   | NIGER                                      | 3207      |
| NF   | NORFOLK ISLAND                             | 3207      |
| NG   | NIGERIA                                    | 3207      |
| NI   | NICARAGUA                                  | 3207      |
| NL   | NETHERLANDS                                | 3207      |
| NO   | NORWAY                                     | 3207      |
| NP   | NEPAL                                      | 3207      |
| NR   | NAURU                                      | 3207      |
| NU   | NIUE                                       | 3207      |
| NZ   | NEW ZEALAND                                | 3207      |
| OM   | OMAN                                       | 3207      |
| PA   | PANAMA                                     | 3207      |
| PE   | PERU                                       | 3207      |
| PF   | FRENCH POLYNESIA                           | 3207      |
| PG   | PAPUA NEW GUINEA                           | 3207      |
| PH   | PHILIPPINES                                | 3207      |
| PK   | PAKISTAN                                   | 3207      |

## Applicable codes

| Code      | Name/description                             | Code list |
|-----------|--|-----------|
| <b>PL</b> | POLAND                                       | 3207      |
| <b>PM</b> | SAINT PIERRE AND MIQUELON                    | 3207      |
| <b>PN</b> | PITCAIRN                                     | 3207      |
| <b>PR</b> | PUERTO RICO                                  | 3207      |
| <b>PS</b> | PALESTINE, STATE OF                          | 3207      |
| <b>PT</b> | PORTUGAL                                     | 3207      |
| <b>PW</b> | PALAU  | 3207      |
| <b>PY</b> | PARAGUAY                                     | 3207      |
| <b>QA</b> | QATAR  | 3207      |
| <b>RE</b> | REUNION                                      | 3207      |
| <b>RO</b> | ROMANIA                                      | 3207      |
| <b>RS</b> | SERBIA                                       | 3207      |
| <b>RU</b> | RUSSIAN FEDERATION                           | 3207      |
| <b>RW</b> | RWANDA                                       | 3207      |
| <b>SA</b> | SAUDI ARABIA                                 | 3207      |
| <b>SB</b> | SOLOMON ISLANDS                              | 3207      |
| <b>SC</b> | SEYCHELLES                                   | 3207      |
| <b>SD</b> | SUDAN  | 3207      |
| <b>SE</b> | SWEDEN                                       | 3207      |
| <b>SG</b> | SINGAPORE                                    | 3207      |
| <b>SH</b> | SAINT HELENA, ASCENSION AND TRISTAN DA CUNHA | 3207      |
| <b>SI</b> | SLOVENIA                                     | 3207      |
| <b>SJ</b> | SVALBARD AND JAN MAYEN                       | 3207      |
| <b>SK</b> | SLOVAKIA                                     | 3207      |
| <b>SL</b> | SIERRA LEONE                                 | 3207      |
| <b>SM</b> | SAN MARINO                                   | 3207      |
| <b>SN</b> | SENEGAL                                      | 3207      |
| <b>SO</b> | SOMALIA                                      | 3207      |
| <b>SR</b> | SURINAME                                     | 3207      |
| <b>SS</b> | SOUTH SUDAN                                  | 3207      |
| <b>ST</b> | SAO TOME AND PRINCIPE                        | 3207      |
| <b>SV</b> | EL SALVADOR                                  | 3207      |
| <b>SX</b> | SINT MAARTEN (DUTCH PART)                    | 3207      |
| <b>SY</b> | SYRIAN ARAB REPUBLIC                         | 3207      |
| <b>SZ</b> | SWAZILAND                                    | 3207      |
| <b>TC</b> | TURKS AND CAICOS ISLANDS                     | 3207      |
| <b>TD</b> | CHAD   | 3207      |
| <b>TF</b> | FRENCH SOUTHERN TERRITORIES                  | 3207      |
| <b>TG</b> | TOGO   | 3207      |
| <b>TH</b> | THAILAND                                     | 3207      |
| <b>TJ</b> | TAJIKISTAN                                   | 3207      |
| <b>TK</b> | TOKELAU                                      | 3207      |
| <b>TL</b> | TIMOR-LESTE                                  | 3207      |
| <b>TM</b> | TURKMENISTAN                                 | 3207      |
| <b>TN</b> | TUNISIA                                      | 3207      |
| <b>TO</b> | TONGA  | 3207      |
| <b>TR</b> | TURKEY                                       | 3207      |
| <b>TT</b> | TRINIDAD AND TOBAGO                          | 3207      |
| <b>TV</b> | TUVALU                                       | 3207      |
| <b>TW</b> | TAIWAN, PROVINCE OF CHINA                    | 3207      |



## Applicable codes

| Code  | Name/description                     | Code list |
|---|--------------------------------------|-----------|
| <b>TZ</b>                                       | TANZANIA, UNITED REPUBLIC OF         | 3207      |
| <b>UA</b>                                       | UKRAINE                              | 3207      |
| <b>UG</b>                                       | UGANDA                               | 3207      |
| <b>UM</b>                                       | UNITED STATES MINOR OUTLYING ISLANDS | 3207      |
| <b>US</b>                                       | UNITED STATES OF AMERICA             | 3207      |
| <b>UY</b>                                       | URUGUAY                              | 3207      |
| <b>UZ</b>                                       | UZBEKISTAN                           | 3207      |
| <b>VA</b>                                       | HOLY SEE                             | 3207      |
| <b>VC</b>                                       | SAINT VINCENT AND THE GRENADINES     | 3207      |
| <b>VE</b>                                       | VENEZUELA (BOLIVARIAN REPUBLIC OF)   | 3207      |
| <b>VG</b>                                       | VIRGIN ISLANDS, BRITISH              | 3207      |
| <b>VI</b>                                       | VIRGIN ISLANDS, U.S.                 | 3207      |
| <b>VN</b>                                       | VIET NAM                             | 3207      |
| <b>VU</b>                                       | VANUATU                              | 3207      |
| <b>WF</b>                                       | WALLIS AND FUTUNA                    | 3207      |
| <b>WS</b>                                       | SAMOA                                | 3207      |
| <b>YE</b>                                       | YEMEN                                | 3207      |
| <b>YT</b>                                       | MAYOTTE                              | 3207      |
| <b>YU</b>                                       | YUGOSLAVIA                           | 3207      |
| <b>ZA</b>                                       | SOUTH AFRICA                         | 3207      |
| <b>ZM</b>                                       | ZAMBIA                               | 3207      |
| <b>ZW</b>                                       | ZIMBABWE                             | 3207      |
| <b>3227    Location function code qualifier</b> |                                      |           |
| Code  | Name/description                     | Code list |
| <b>1</b>  | Place of terms of delivery           | 3227      |
| <b>7</b>  | Place of delivery                    | 3227      |
| <b>11</b>                                       | Place of discharge                   | 3227      |
| <b>18</b>                                       | Warehouse                            | 3227      |
| <b>3239    Country of origin identifier</b>     |                                      |           |
| Code  | Name/description                     | Code list |
| <b>AD</b>                                       | ANDORRA                              | 3239      |
| <b>AE</b>                                       | UNITED ARAB EMIRATES                 | 3239      |
| <b>AF</b>                                       | AFGHANISTAN                          | 3239      |
| <b>AG</b>                                       | ANTIGUA AND BARBUDA                  | 3239      |
| <b>AI</b>                                       | ANGUILLA                             | 3239      |
| <b>AL</b>                                       | ALBANIA                              | 3239      |
| <b>AM</b>                                       | ARMENIA                              | 3239      |
| <b>AN</b>                                       | NETHERLANDS ANTILLES                 | 3239      |
| <b>AO</b>                                       | ANGOLA                               | 3239      |
| <b>AQ</b>                                       | ANTARCTICA                           | 3239      |
| <b>AR</b>                                       | ARGENTINA                            | 3239      |
| <b>AS</b>                                       | AMERICAN SAMOA                       | 3239      |
| <b>AT</b>                                       | AUSTRIA                              | 3239      |
| <b>AU</b>                                       | AUSTRALIA                            | 3239      |
| <b>AW</b>                                       | ARUBA                                | 3239      |
| <b>AX</b>                                       | ÅLAND ISLANDS                        | 3239      |
| <b>AZ</b>                                       | AZERBAIJAN                           | 3239      |
| <b>BA</b>                                       | BOSNIA AND HERZEGOVINA               | 3239      |

## Applicable codes

| Code      | Name/description                  | Code list |
|-----------|-----------------------------------|-----------|
| <b>BB</b> | BARBADOS                          | 3239      |
| <b>BD</b> | BANGLADESH                        | 3239      |
| <b>BE</b> | BELGIUM                           | 3239      |
| <b>BF</b> | BURKINA FASO                      | 3239      |
| <b>BG</b> | BULGARIA                          | 3239      |
| <b>BH</b> | BAHRAIN                           | 3239      |
| <b>BI</b> | BURUNDI                           | 3239      |
| <b>BJ</b> | BENIN                             | 3239      |
| <b>BL</b> | SAINT BARTHÉLEMY                  | 3239      |
| <b>BM</b> | BERMUDA                           | 3239      |
| <b>BN</b> | BRUNEI DARUSSALAM                 | 3239      |
| <b>BO</b> | BOLIVIA (PLURINATIONAL STATE OF)  | 3239      |
| <b>BQ</b> | BONAIRE, SINT EUSTATIUS AND SABA  | 3239      |
| <b>BR</b> | BRAZIL                            | 3239      |
| <b>BS</b> | BAHAMAS                           | 3239      |
| <b>BT</b> | BHUTAN                            | 3239      |
| <b>BV</b> | BOUVET ISLAND                     | 3239      |
| <b>BW</b> | BOTSWANA                          | 3239      |
| <b>BY</b> | BELARUS                           | 3239      |
| <b>BZ</b> | BELIZE                            | 3239      |
| <b>CA</b> | CANADA                            | 3239      |
| <b>CC</b> | COCOS (KEELING) ISLANDS           | 3239      |
| <b>CD</b> | CONGO, DEMOCRATIC REPUBLIC OF THE | 3239      |
| <b>CF</b> | CENTRAL AFRICAN REPUBLIC          | 3239      |
| <b>CG</b> | CONGO                             | 3239      |
| <b>CH</b> | SWITZERLAND                       | 3239      |
| <b>CI</b> | COTE D'IVOIRE                     | 3239      |
| <b>CK</b> | COOK ISLANDS                      | 3239      |
| <b>CL</b> | CHILE                             | 3239      |
| <b>CM</b> | CAMEROON                          | 3239      |
| <b>CN</b> | CHINA                             | 3239      |
| <b>CO</b> | COLOMBIA                          | 3239      |
| <b>CR</b> | COSTA RICA                        | 3239      |
| <b>CS</b> | SERBIA AND MONTENEGRO             | 3239      |
| <b>CU</b> | CUBA                              | 3239      |
| <b>CV</b> | CAPE VERDE                        | 3239      |
| <b>CW</b> | CURAÇAO                           | 3239      |
| <b>CX</b> | CHRISTMAS ISLAND                  | 3239      |
| <b>CY</b> | CYPRUS                            | 3239      |
| <b>CZ</b> | CZECHIA                           | 3239      |
| <b>DE</b> | GERMANY                           | 3239      |
| <b>DJ</b> | DJIBOUTI                          | 3239      |
| <b>DK</b> | DENMARK                           | 3239      |
| <b>DM</b> | DOMINICA                          | 3239      |
| <b>DO</b> | DOMINICAN REPUBLIC                | 3239      |
| <b>DZ</b> | ALGERIA                           | 3239      |
| <b>EC</b> | ECUADOR                           | 3239      |
| <b>EE</b> | ESTONIA                           | 3239      |
| <b>EG</b> | EGYPT                             | 3239      |
| <b>EH</b> | WESTERN SAHARA                    | 3239      |

## Applicable codes

| Code | Name/description                                     | Code list |
|------|--|-----------|
| ER   | ERITREA  | 3239      |
| ES   | SPAIN  | 3239      |
| ET   | ETHIOPIA   | 3239      |
| FI   | FINLAND  | 3239      |
| FJ   | FIJI   | 3239      |
| FK   | FALKLAND ISLANDS (MALVINAS)                          | 3239      |
| FM   | MICRONESIA (FEDERATED STATES OF)                     | 3239      |
| FO   | FAROE ISLANDS  | 3239      |
| FR   | FRANCE   | 3239      |
| GA   | GABON  | 3239      |
| GB   | UNITED KINGDOM OF GREAT BRITAIN AND NORTHERN IRELAND | 3239      |
| GD   | GRENADA  | 3239      |
| GE   | GEORGIA  | 3239      |
| GF   | FRENCH GUIANA  | 3239      |
| GG   | GUERNSEY   | 3239      |
| GH   | GHANA  | 3239      |
| GI   | GIBRALTAR  | 3239      |
| GL   | GREENLAND  | 3239      |
| GM   | GAMBIA   | 3239      |
| GN   | GUINEA   | 3239      |
| GP   | GUADELOUPE   | 3239      |
| GQ   | EQUATORIAL GUINEA                                    | 3239      |
| GR   | GREECE   | 3239      |
| GS   | SOUTH GEORGIA AND THE SOUTH SANDWICH ISLANDS         | 3239      |
| GT   | GUATEMALA  | 3239      |
| GU   | GUAM   | 3239      |
| GW   | GUINEA-BISSAU  | 3239      |
| GY   | GUYANA   | 3239      |
| HK   | HONG KONG  | 3239      |
| HM   | HEARD ISLAND AND MCDONALD ISLANDS                    | 3239      |
| HN   | HONDURAS   | 3239      |
| HR   | CROATIA  | 3239      |
| HT   | HAITI  | 3239      |
| HU   | HUNGARY  | 3239      |
| ID   | INDONESIA  | 3239      |
| IE   | IRELAND  | 3239      |
| IL   | ISRAEL   | 3239      |
| IM   | ISLE OF MAN  | 3239      |
| IN   | INDIA  | 3239      |
| IO   | BRITISH INDIAN OCEAN TERRITORY                       | 3239      |
| IQ   | IRAQ   | 3239      |
| IR   | IRAN (ISLAMIC REPUBLIC OF)                           | 3239      |
| IS   | ICELAND  | 3239      |
| IT   | ITALY  | 3239      |
| JE   | JERSEY   | 3239      |
| JM   | JAMAICA  | 3239      |
| JO   | JORDAN   | 3239      |
| JP   | JAPAN  | 3239      |
| KE   | KENYA  | 3239      |
| KG   | KYRGYZSTAN   | 3239      |

## Applicable codes

| Code      | Name/description                           | Code list |
|-----------|--|-----------|
| <b>KH</b> | CAMBODIA                                   | 3239      |
| <b>KI</b> | KIRIBATI                                   | 3239      |
| <b>KM</b> | COMOROS                                    | 3239      |
| <b>KN</b> | SAINT KITTS AND NEVIS                      | 3239      |
| <b>KP</b> | KOREA (DEMOCRATIC PEOPLE'S REPUBLIC OF)    | 3239      |
| <b>KR</b> | KOREA, REPUBLIC OF                         | 3239      |
| <b>KW</b> | KUWAIT                                     | 3239      |
| <b>KY</b> | CAYMAN ISLANDS                             | 3239      |
| <b>KZ</b> | KAZAKHSTAN                                 | 3239      |
| <b>LA</b> | LAO PEOPLE'S DEMOCRATIC REPUBLIC           | 3239      |
| <b>LB</b> | LEBANON                                    | 3239      |
| <b>LC</b> | SAINT LUCIA                                | 3239      |
| <b>LI</b> | LIECHTENSTEIN                              | 3239      |
| <b>LK</b> | SRI LANKA                                  | 3239      |
| <b>LR</b> | LIBERIA                                    | 3239      |
| <b>LS</b> | LESOTHO                                    | 3239      |
| <b>LT</b> | LITHUANIA                                  | 3239      |
| <b>LU</b> | LUXEMBOURG                                 | 3239      |
| <b>LV</b> | LATVIA                                     | 3239      |
| <b>LY</b> | LIBYA                                      | 3239      |
| <b>MA</b> | MOROCCO                                    | 3239      |
| <b>MC</b> | MONACO                                     | 3239      |
| <b>MD</b> | MOLDOVA, REPUBLIC OF                       | 3239      |
| <b>ME</b> | MONTENEGRO                                 | 3239      |
| <b>MF</b> | SAINT MARTIN (FRENCH PART)                 | 3239      |
| <b>MG</b> | MADAGASCAR                                 | 3239      |
| <b>MH</b> | MARSHALL ISLANDS                           | 3239      |
| <b>MK</b> | MACEDONIA, THE FORMER YUGOSLAV REPUBLIC OF | 3239      |
| <b>ML</b> | MALI                                       | 3239      |
| <b>MM</b> | MYANMAR                                    | 3239      |
| <b>MN</b> | MONGOLIA                                   | 3239      |
| <b>MO</b> | MACAO                                      | 3239      |
| <b>MP</b> | NORTHERN MARIANA ISLANDS                   | 3239      |
| <b>MQ</b> | MARTINIQUE                                 | 3239      |
| <b>MR</b> | MAURITANIA                                 | 3239      |
| <b>MS</b> | MONTSERRAT                                 | 3239      |
| <b>MT</b> | MALTA                                      | 3239      |
| <b>MU</b> | MAURITIUS                                  | 3239      |
| <b>MV</b> | MALDIVES                                   | 3239      |
| <b>MW</b> | MALAWI                                     | 3239      |
| <b>MX</b> | MEXICO                                     | 3239      |
| <b>MY</b> | MALAYSIA                                   | 3239      |
| <b>MZ</b> | MOZAMBIQUE                                 | 3239      |
| <b>NA</b> | NAMIBIA                                    | 3239      |
| <b>NC</b> | NEW CALEDONIA                              | 3239      |
| <b>NE</b> | NIGER                                      | 3239      |
| <b>NF</b> | NORFOLK ISLAND                             | 3239      |
| <b>NG</b> | NIGERIA                                    | 3239      |
| <b>NI</b> | NICARAGUA                                  | 3239      |
| <b>NL</b> | NETHERLANDS                                | 3239      |

## Applicable codes

| Code      | Name/description                             | Code list |
|-----------|--|-----------|
| <b>NO</b> | NORWAY                                       | 3239      |
| <b>NP</b> | NEPAL  | 3239      |
| <b>NR</b> | NAURU  | 3239      |
| <b>NU</b> | NIUE   | 3239      |
| <b>NZ</b> | NEW ZEALAND                                  | 3239      |
| <b>OM</b> | OMAN   | 3239      |
| <b>PA</b> | PANAMA                                       | 3239      |
| <b>PE</b> | PERU   | 3239      |
| <b>PF</b> | FRENCH POLYNESIA                             | 3239      |
| <b>PG</b> | PAPUA NEW GUINEA                             | 3239      |
| <b>PH</b> | PHILIPPINES                                  | 3239      |
| <b>PK</b> | PAKISTAN                                     | 3239      |
| <b>PL</b> | POLAND                                       | 3239      |
| <b>PM</b> | SAINT PIERRE AND MIQUELON                    | 3239      |
| <b>PN</b> | PITCAIRN                                     | 3239      |
| <b>PR</b> | PUERTO RICO                                  | 3239      |
| <b>PS</b> | PALESTINE, STATE OF                          | 3239      |
| <b>PT</b> | PORTUGAL                                     | 3239      |
| <b>PW</b> | PALAU  | 3239      |
| <b>PY</b> | PARAGUAY                                     | 3239      |
| <b>QA</b> | QATAR  | 3239      |
| <b>RE</b> | REUNION                                      | 3239      |
| <b>RO</b> | ROMANIA                                      | 3239      |
| <b>RS</b> | SERBIA                                       | 3239      |
| <b>RU</b> | RUSSIAN FEDERATION                           | 3239      |
| <b>RW</b> | RWANDA                                       | 3239      |
| <b>SA</b> | SAUDI ARABIA                                 | 3239      |
| <b>SB</b> | SOLOMON ISLANDS                              | 3239      |
| <b>SC</b> | SEYCHELLES                                   | 3239      |
| <b>SD</b> | SUDAN  | 3239      |
| <b>SE</b> | SWEDEN                                       | 3239      |
| <b>SG</b> | SINGAPORE                                    | 3239      |
| <b>SH</b> | SAINT HELENA, ASCENSION AND TRISTAN DA CUNHA | 3239      |
| <b>SI</b> | SLOVENIA                                     | 3239      |
| <b>SJ</b> | SVALBARD AND JAN MAYEN                       | 3239      |
| <b>SK</b> | SLOVAKIA                                     | 3239      |
| <b>SL</b> | SIERRA LEONE                                 | 3239      |
| <b>SM</b> | SAN MARINO                                   | 3239      |
| <b>SN</b> | SENEGAL                                      | 3239      |
| <b>SO</b> | SOMALIA                                      | 3239      |
| <b>SR</b> | SURINAME                                     | 3239      |
| <b>SS</b> | SOUTH SUDAN                                  | 3239      |
| <b>ST</b> | SAO TOME AND PRINCIPE                        | 3239      |
| <b>SV</b> | EL SALVADOR                                  | 3239      |
| <b>SX</b> | SINT MAARTEN (DUTCH PART)                    | 3239      |
| <b>SY</b> | SYRIAN ARAB REPUBLIC                         | 3239      |
| <b>SZ</b> | SWAZILAND                                    | 3239      |
| <b>TC</b> | TURKS AND CAICOS ISLANDS                     | 3239      |
| <b>TD</b> | CHAD   | 3239      |
| <b>TF</b> | FRENCH SOUTHERN TERRITORIES                  | 3239      |

## Applicable codes

| Code        | Name/description                     | Code list |
|-------------|--------------------------------------|-----------|
| <b>TG</b>   | TOGO                                 | 3239      |
| <b>TH</b>   | THAILAND                             | 3239      |
| <b>TJ</b>   | TAJIKISTAN                           | 3239      |
| <b>TK</b>   | TOKELAU                              | 3239      |
| <b>TL</b>   | TIMOR-LESTE                          | 3239      |
| <b>TM</b>   | TURKMENISTAN                         | 3239      |
| <b>TN</b>   | TUNISIA                              | 3239      |
| <b>TO</b>   | TONGA                                | 3239      |
| <b>TR</b>   | TURKEY                               | 3239      |
| <b>TT</b>   | TRINIDAD AND TOBAGO                  | 3239      |
| <b>TV</b>   | TUVALU                               | 3239      |
| <b>TW</b>   | TAIWAN, PROVINCE OF CHINA            | 3239      |
| <b>TZ</b>   | TANZANIA, UNITED REPUBLIC OF         | 3239      |
| <b>UA</b>   | UKRAINE                              | 3239      |
| <b>UG</b>   | UGANDA                               | 3239      |
| <b>UM</b>   | UNITED STATES MINOR OUTLYING ISLANDS | 3239      |
| <b>US</b>   | UNITED STATES OF AMERICA             | 3239      |
| <b>UY</b>   | URUGUAY                              | 3239      |
| <b>UZ</b>   | UZBEKISTAN                           | 3239      |
| <b>VA</b>   | HOLY SEE                             | 3239      |
| <b>VC</b>   | SAINT VINCENT AND THE GRENADINES     | 3239      |
| <b>VE</b>   | VENEZUELA (BOLIVARIAN REPUBLIC OF)   | 3239      |
| <b>VG</b>   | VIRGIN ISLANDS, BRITISH              | 3239      |
| <b>VI</b>   | VIRGIN ISLANDS, U.S.                 | 3239      |
| <b>VN</b>   | VIET NAM                             | 3239      |
| <b>VU</b>   | VANUATU                              | 3239      |
| <b>WF</b>   | WALLIS AND FUTUNA                    | 3239      |
| <b>WS</b>   | SAMOA                                | 3239      |
| <b>YE</b>   | YEMEN                                | 3239      |
| <b>YT</b>   | MAYOTTE                              | 3239      |
| <b>YU</b>   | YUGOSLAVIA                           | 3239      |
| <b>ZA</b>   | SOUTH AFRICA                         | 3239      |
| <b>ZM</b>   | ZAMBIA                               | 3239      |
| <b>ZW</b>   | ZIMBABWE                             | 3239      |
| <b>3453</b> | <b>Language name code</b>            |           |
| Code        | Name/description                     | Code list |
| <b>AA</b>   | Afar                                 | 3453      |
| <b>aa</b>   | Afar                                 | 3453      |
| <b>AB</b>   | Abkhazian                            | 3453      |
| <b>ab</b>   | Abkhazian                            | 3453      |
| <b>AE</b>   | Avestan                              | 3453      |
| <b>ae</b>   | Avestan                              | 3453      |
| <b>AF</b>   | Afrikaans                            | 3453      |
| <b>af</b>   | Afrikaans                            | 3453      |
| <b>AK</b>   | Akan                                 | 3453      |
| <b>ak</b>   | Akan                                 | 3453      |
| <b>AM</b>   | Amharic                              | 3453      |
| <b>am</b>   | Amharic                              | 3453      |
| <b>AN</b>   | Aragonese                            | 3453      |

## Applicable codes

| Code      | Name/description   | Code list |
|-----------|--|-----------|
| <b>an</b> | Aragonese  | 3453      |
| <b>AR</b> | Arabic   | 3453      |
| <b>ar</b> | Arabic   | 3453      |
| <b>AS</b> | Assamese   | 3453      |
| <b>as</b> | Assamese   | 3453      |
| <b>AV</b> | Avaric   | 3453      |
| <b>av</b> | Avaric   | 3453      |
| <b>AY</b> | Aymara   | 3453      |
| <b>ay</b> | Aymara   | 3453      |
| <b>AZ</b> | Azerbaijani  | 3453      |
| <b>az</b> | Azerbaijani  | 3453      |
| <b>BA</b> | Bashkir  | 3453      |
| <b>ba</b> | Bashkir  | 3453      |
| <b>BE</b> | Belarusian   | 3453      |
| <b>be</b> | Belarusian   | 3453      |
| <b>BG</b> | Bulgarian  | 3453      |
| <b>bg</b> | Bulgarian  | 3453      |
| <b>BH</b> | Bihari languages   | 3453      |
| <b>bh</b> | Bihari languages   | 3453      |
| <b>BI</b> | Bislama  | 3453      |
| <b>bi</b> | Bislama  | 3453      |
| <b>BM</b> | Bambara  | 3453      |
| <b>bm</b> | Bambara  | 3453      |
| <b>BN</b> | Bengali  | 3453      |
| <b>bn</b> | Bengali  | 3453      |
| <b>BO</b> | Tibetan  | 3453      |
| <b>bo</b> | Tibetan  | 3453      |
| <b>BR</b> | Breton   | 3453      |
| <b>br</b> | Breton   | 3453      |
| <b>BS</b> | Bosnian  | 3453      |
| <b>bs</b> | Bosnian  | 3453      |
| <b>CA</b> | Catalan; Valencian   | 3453      |
| <b>ca</b> | Catalan; Valencian   | 3453      |
| <b>CE</b> | Chechen  | 3453      |
| <b>ce</b> | Chechen  | 3453      |
| <b>CH</b> | Chamorro   | 3453      |
| <b>ch</b> | Chamorro   | 3453      |
| <b>CO</b> | Corsican   | 3453      |
| <b>co</b> | Corsican   | 3453      |
| <b>CR</b> | Cree   | 3453      |
| <b>cr</b> | Cree   | 3453      |
| <b>CS</b> | Czech  | 3453      |
| <b>cs</b> | Czech  | 3453      |
| <b>CU</b> | Church Slavonic; Old Slavonic; Church Slavonic; Old Bulgarian; Old Church Slavonic | 3453      |
| <b>cu</b> | Church Slavonic; Old Slavonic; Church Slavonic; Old Bulgarian; Old Church Slavonic | 3453      |
| <b>CV</b> | Chuvash  | 3453      |
| <b>cv</b> | Chuvash  | 3453      |
| <b>CY</b> | Welsh  | 3453      |
| <b>cy</b> | Welsh  | 3453      |
| <b>DA</b> | Danish   | 3453      |

## Applicable codes

| Code      | Name/description           | Code list |
|-----------|----------------------------|-----------|
| <b>da</b> | Danish                     | 3453      |
| <b>DE</b> | German                     | 3453      |
| <b>de</b> | German                     | 3453      |
| <b>DV</b> | Divehi; Dhivehi; Maldivian | 3453      |
| <b>dv</b> | Divehi; Dhivehi; Maldivian | 3453      |
| <b>DZ</b> | Dzongkha                   | 3453      |
| <b>dz</b> | Dzongkha                   | 3453      |
| <b>EE</b> | Ewe                        | 3453      |
| <b>ee</b> | Ewe                        | 3453      |
| <b>EL</b> | Greek; Modern (1453-)      | 3453      |
| <b>el</b> | Greek; Modern (1453-)      | 3453      |
| <b>EN</b> | English                    | 3453      |
| <b>en</b> | English                    | 3453      |
| <b>EO</b> | Esperanto                  | 3453      |
| <b>eo</b> | Esperanto                  | 3453      |
| <b>ES</b> | Spanish; Castilian         | 3453      |
| <b>es</b> | Spanish; Castilian         | 3453      |
| <b>ET</b> | Estonian                   | 3453      |
| <b>et</b> | Estonian                   | 3453      |
| <b>EU</b> | Basque                     | 3453      |
| <b>eu</b> | Basque                     | 3453      |
| <b>FA</b> | Persian                    | 3453      |
| <b>fa</b> | Persian                    | 3453      |
| <b>FF</b> | Fulah                      | 3453      |
| <b>ff</b> | Fulah                      | 3453      |
| <b>FI</b> | Finnish                    | 3453      |
| <b>fi</b> | Finnish                    | 3453      |
| <b>FJ</b> | Fijian                     | 3453      |
| <b>fj</b> | Fijian                     | 3453      |
| <b>FO</b> | Faroese                    | 3453      |
| <b>fo</b> | Faroese                    | 3453      |
| <b>FR</b> | French                     | 3453      |
| <b>fr</b> | French                     | 3453      |
| <b>FY</b> | Western Frisian            | 3453      |
| <b>fy</b> | Western Frisian            | 3453      |
| <b>GA</b> | Irish                      | 3453      |
| <b>ga</b> | Irish                      | 3453      |
| <b>GD</b> | Gaelic; Scottish Gaelic    | 3453      |
| <b>gd</b> | Gaelic; Scottish Gaelic    | 3453      |
| <b>GL</b> | Galician                   | 3453      |
| <b>gl</b> | Galician                   | 3453      |
| <b>GN</b> | Guarani                    | 3453      |
| <b>gn</b> | Guarani                    | 3453      |
| <b>GU</b> | Gujarati                   | 3453      |
| <b>gu</b> | Gujarati                   | 3453      |
| <b>GV</b> | Manx                       | 3453      |
| <b>gv</b> | Manx                       | 3453      |
| <b>HA</b> | Hausa                      | 3453      |
| <b>ha</b> | Hausa                      | 3453      |
| <b>HE</b> | Hebrew                     | 3453      |



## Applicable codes

| Code      | Name/description   | Code list |
|-----------|--|-----------|
| <b>he</b> | Hebrew   | 3453      |
| <b>HI</b> | Hindi  | 3453      |
| <b>hi</b> | Hindi  | 3453      |
| <b>HO</b> | Hiri Motu  | 3453      |
| <b>ho</b> | Hiri Motu  | 3453      |
| <b>HR</b> | Croatian   | 3453      |
| <b>hr</b> | Croatian   | 3453      |
| <b>HT</b> | Haitian; Haitian Creole                                    | 3453      |
| <b>ht</b> | Haitian; Haitian Creole                                    | 3453      |
| <b>HU</b> | Hungarian  | 3453      |
| <b>hu</b> | Hungarian  | 3453      |
| <b>HY</b> | Armenian   | 3453      |
| <b>hy</b> | Armenian   | 3453      |
| <b>HZ</b> | Herero   | 3453      |
| <b>hz</b> | Herero   | 3453      |
| <b>IA</b> | Interlingua (International Auxiliary Language Association) | 3453      |
| <b>ia</b> | Interlingua (International Auxiliary Language Association) | 3453      |
| <b>ID</b> | Indonesian   | 3453      |
| <b>id</b> | Indonesian   | 3453      |
| <b>IE</b> | Interlingue; Occidental                                    | 3453      |
| <b>ie</b> | Interlingue; Occidental                                    | 3453      |
| <b>IG</b> | Igbo   | 3453      |
| <b>ig</b> | Igbo   | 3453      |
| <b>II</b> | Sichuan Yi; Nuosu  | 3453      |
| <b>ii</b> | Sichuan Yi; Nuosu  | 3453      |
| <b>IK</b> | Inupiaq  | 3453      |
| <b>ik</b> | Inupiaq  | 3453      |
| <b>IO</b> | Ido  | 3453      |
| <b>io</b> | Ido  | 3453      |
| <b>IS</b> | Icelandic  | 3453      |
| <b>is</b> | Icelandic  | 3453      |
| <b>IT</b> | Italian  | 3453      |
| <b>it</b> | Italian  | 3453      |
| <b>IU</b> | Inuktitut  | 3453      |
| <b>iu</b> | Inuktitut  | 3453      |
| <b>JA</b> | Japanese   | 3453      |
| <b>ja</b> | Japanese   | 3453      |
| <b>JV</b> | Javanese   | 3453      |
| <b>ju</b> | Javanese   | 3453      |
| <b>JW</b> | Javanese   | 3453      |
| <b>ju</b> | Javanese   | 3453      |
| <b>KA</b> | Georgian   | 3453      |
| <b>ka</b> | Georgian   | 3453      |
| <b>KG</b> | Kongo  | 3453      |
| <b>kg</b> | Kongo  | 3453      |
| <b>KI</b> | Kikuyu; Gikuyu   | 3453      |
| <b>ki</b> | Kikuyu; Gikuyu   | 3453      |
| <b>KJ</b> | Kuanyama; Kwanyama   | 3453      |
| <b>kj</b> | Kuanyama; Kwanyama   | 3453      |
| <b>KK</b> | Kazakh   | 3453      |

## Applicable codes

| Code      | Name/description                 | Code list |
|-----------|----------------------------------|-----------|
| <b>kk</b> | Kazakh                           | 3453      |
| <b>KL</b> | Kalaallisut; Greenlandic         | 3453      |
| <b>kl</b> | Kalaallisut; Greenlandic         | 3453      |
| <b>KM</b> | Central Khmer                    | 3453      |
| <b>km</b> | Central Khmer                    | 3453      |
| <b>KN</b> | Kannada                          | 3453      |
| <b>kn</b> | Kannada                          | 3453      |
| <b>KO</b> | Korean                           | 3453      |
| <b>ko</b> | Korean                           | 3453      |
| <b>KR</b> | Kanuri                           | 3453      |
| <b>kr</b> | Kanuri                           | 3453      |
| <b>KS</b> | Kashmiri                         | 3453      |
| <b>ks</b> | Kashmiri                         | 3453      |
| <b>KU</b> | Kurdish                          | 3453      |
| <b>ku</b> | Kurdish                          | 3453      |
| <b>KV</b> | Komi                             | 3453      |
| <b>kv</b> | Komi                             | 3453      |
| <b>KW</b> | Cornish                          | 3453      |
| <b>kw</b> | Cornish                          | 3453      |
| <b>KY</b> | Kirghiz; Kyrgyz                  | 3453      |
| <b>ky</b> | Kirghiz; Kyrgyz                  | 3453      |
| <b>LA</b> | Latin                            | 3453      |
| <b>la</b> | Latin                            | 3453      |
| <b>LB</b> | Luxembourgish; Letzeburgesch     | 3453      |
| <b>lb</b> | Luxembourgish; Letzeburgesch     | 3453      |
| <b>LG</b> | Ganda                            | 3453      |
| <b>lg</b> | Ganda                            | 3453      |
| <b>LI</b> | Limburgan; Limburger; Limburgish | 3453      |
| <b>li</b> | Limburgan; Limburger; Limburgish | 3453      |
| <b>LN</b> | Lingala                          | 3453      |
| <b>ln</b> | Lingala                          | 3453      |
| <b>LO</b> | Lao                              | 3453      |
| <b>lo</b> | Lao                              | 3453      |
| <b>LT</b> | Lithuanian                       | 3453      |
| <b>lt</b> | Lithuanian                       | 3453      |
| <b>LU</b> | Luba-Katanga                     | 3453      |
| <b>lu</b> | Luba-Katanga                     | 3453      |
| <b>LV</b> | Latvian                          | 3453      |
| <b>lv</b> | Latvian                          | 3453      |
| <b>MG</b> | Malagasy                         | 3453      |
| <b>mg</b> | Malagasy                         | 3453      |
| <b>MH</b> | Marshallese                      | 3453      |
| <b>mh</b> | Marshallese                      | 3453      |
| <b>MI</b> | Maori                            | 3453      |
| <b>mi</b> | Maori                            | 3453      |
| <b>MK</b> | Macedonian                       | 3453      |
| <b>mk</b> | Macedonian                       | 3453      |
| <b>ML</b> | Malayalam                        | 3453      |
| <b>ml</b> | Malayalam                        | 3453      |
| <b>MN</b> | Mongolian                        | 3453      |

## Applicable codes

| Code      | Name/description                      | Code list |
|-----------|---------------------------------------|-----------|
| <b>mn</b> | Mongolian                             | 3453      |
| <b>MO</b> | Moldavian; Moldovan                   | 3453      |
| <b>mo</b> | Moldavian; Moldovan                   | 3453      |
| <b>MR</b> | Marathi                               | 3453      |
| <b>mr</b> | Marathi                               | 3453      |
| <b>MS</b> | Malay                                 | 3453      |
| <b>ms</b> | Malay                                 | 3453      |
| <b>MT</b> | Maltese                               | 3453      |
| <b>mt</b> | Maltese                               | 3453      |
| <b>MY</b> | Burmese                               | 3453      |
| <b>my</b> | Burmese                               | 3453      |
| <b>NA</b> | Nauru                                 | 3453      |
| <b>na</b> | Nauru                                 | 3453      |
| <b>NB</b> | Bokmal Norwegian; Norwegian Bokmal    | 3453      |
| <b>nb</b> | Bokmal Norwegian; Norwegian Bokmal    | 3453      |
| <b>ND</b> | Ndebele; North; North Ndebele         | 3453      |
| <b>nd</b> | Ndebele; North; North Ndebele         | 3453      |
| <b>NE</b> | Nepali                                | 3453      |
| <b>ne</b> | Nepali                                | 3453      |
| <b>NG</b> | Ndonga                                | 3453      |
| <b>ng</b> | Ndonga                                | 3453      |
| <b>NL</b> | Dutch; Flemish                        | 3453      |
| <b>nl</b> | Dutch; Flemish                        | 3453      |
| <b>NN</b> | Norwegian Nynorsk; Nynorsk, Norwegian | 3453      |
| <b>nn</b> | Norwegian Nynorsk; Nynorsk, Norwegian | 3453      |
| <b>NO</b> | Norwegian                             | 3453      |
| <b>no</b> | Norwegian                             | 3453      |
| <b>NR</b> | Ndebele; South; South Ndebele         | 3453      |
| <b>nr</b> | Ndebele; South; South Ndebele         | 3453      |
| <b>NV</b> | Navajo; Navaho                        | 3453      |
| <b>nv</b> | Navajo; Navaho                        | 3453      |
| <b>NY</b> | Chichewa; Chewa; Nyanja               | 3453      |
| <b>ny</b> | Chichewa; Chewa; Nyanja               | 3453      |
| <b>OC</b> | Occitan (post 1500)                   | 3453      |
| <b>oc</b> | Occitan (post 1500)                   | 3453      |
| <b>OJ</b> | Ojibwa                                | 3453      |
| <b>oj</b> | Ojibwa                                | 3453      |
| <b>OM</b> | Oromo                                 | 3453      |
| <b>om</b> | Oromo                                 | 3453      |
| <b>OR</b> | Oriya                                 | 3453      |
| <b>or</b> | Oriya                                 | 3453      |
| <b>OS</b> | Ossetian; Ossetic                     | 3453      |
| <b>os</b> | Ossetian; Ossetic                     | 3453      |
| <b>PA</b> | Panjabi; Punjabi                      | 3453      |
| <b>pa</b> | Panjabi; Punjabi                      | 3453      |
| <b>PI</b> | Pali                                  | 3453      |
| <b>pi</b> | Pali                                  | 3453      |
| <b>PL</b> | Polish                                | 3453      |
| <b>pl</b> | Polish                                | 3453      |
| <b>PS</b> | Pushto; Pashto                        | 3453      |

## Applicable codes

| Code      | Name/description   | Code list |
|-----------|--------------------|-----------|
| <b>ps</b> | Pushto; Pashto     | 3453      |
| <b>PT</b> | Portuguese         | 3453      |
| <b>pt</b> | Portuguese         | 3453      |
| <b>QU</b> | Quechua            | 3453      |
| <b>qu</b> | Quechua            | 3453      |
| <b>RM</b> | Romansh            | 3453      |
| <b>rm</b> | Romansh            | 3453      |
| <b>RN</b> | Rundi              | 3453      |
| <b>rn</b> | Rundi              | 3453      |
| <b>RO</b> | Romanian           | 3453      |
| <b>ro</b> | Romanian           | 3453      |
| <b>RU</b> | Russian            | 3453      |
| <b>ru</b> | Russian            | 3453      |
| <b>RW</b> | Kinyarwanda        | 3453      |
| <b>rw</b> | Kinyarwanda        | 3453      |
| <b>SA</b> | Sanskrit           | 3453      |
| <b>sa</b> | Sanskrit           | 3453      |
| <b>SC</b> | Sardinian          | 3453      |
| <b>sc</b> | Sardinian          | 3453      |
| <b>SD</b> | Sindhi             | 3453      |
| <b>sd</b> | Sindhi             | 3453      |
| <b>SE</b> | Northern Sami      | 3453      |
| <b>se</b> | Northern Sami      | 3453      |
| <b>SG</b> | Sango              | 3453      |
| <b>sg</b> | Sango              | 3453      |
| <b>SH</b> | Serbo-Croatian     | 3453      |
| <b>sh</b> | Serbo-Croatian     | 3453      |
| <b>SI</b> | Sinhala; Sinhalese | 3453      |
| <b>si</b> | Sinhala; Sinhalese | 3453      |
| <b>SK</b> | Slovak             | 3453      |
| <b>sk</b> | Slovak             | 3453      |
| <b>SL</b> | Slovenian          | 3453      |
| <b>sl</b> | Slovenian          | 3453      |
| <b>SM</b> | Samoan             | 3453      |
| <b>sm</b> | Samoan             | 3453      |
| <b>SN</b> | Shona              | 3453      |
| <b>sn</b> | Shona              | 3453      |
| <b>SO</b> | Somali             | 3453      |
| <b>so</b> | Somali             | 3453      |
| <b>SQ</b> | Albanian           | 3453      |
| <b>sq</b> | Albanian           | 3453      |
| <b>SR</b> | Serbian            | 3453      |
| <b>sr</b> | Serbian            | 3453      |
| <b>SS</b> | Swati              | 3453      |
| <b>ss</b> | Swati              | 3453      |
| <b>ST</b> | Sotho, Southern    | 3453      |
| <b>st</b> | Sotho, Southern    | 3453      |
| <b>SU</b> | Sundanese          | 3453      |
| <b>su</b> | Sundanese          | 3453      |
| <b>SV</b> | Swedish            | 3453      |

## Applicable codes

| Code      | Name/description      | Code list |
|-----------|-----------------------|-----------|
| <b>sv</b> | Swedish               | 3453      |
| <b>SW</b> | Swahili               | 3453      |
| <b>sw</b> | Swahili               | 3453      |
| <b>TA</b> | Tamil                 | 3453      |
| <b>ta</b> | Tamil                 | 3453      |
| <b>TE</b> | Telugu                | 3453      |
| <b>te</b> | Telugu                | 3453      |
| <b>TG</b> | Tajik                 | 3453      |
| <b>tg</b> | Tajik                 | 3453      |
| <b>TH</b> | Thai                  | 3453      |
| <b>th</b> | Thai                  | 3453      |
| <b>TI</b> | Tigrinya              | 3453      |
| <b>ti</b> | Tigrinya              | 3453      |
| <b>TK</b> | Turkmen               | 3453      |
| <b>tk</b> | Turkmen               | 3453      |
| <b>TL</b> | Tagalog               | 3453      |
| <b>tl</b> | Tagalog               | 3453      |
| <b>TN</b> | Tswana                | 3453      |
| <b>tn</b> | Tswana                | 3453      |
| <b>TO</b> | Tonga (Tonga Islands) | 3453      |
| <b>to</b> | Tonga (Tonga Islands) | 3453      |
| <b>TR</b> | Turkish               | 3453      |
| <b>tr</b> | Turkish               | 3453      |
| <b>TS</b> | Tsonga                | 3453      |
| <b>ts</b> | Tsonga                | 3453      |
| <b>TT</b> | Tatar                 | 3453      |
| <b>tt</b> | Tatar                 | 3453      |
| <b>TW</b> | Twi                   | 3453      |
| <b>tw</b> | Twi                   | 3453      |
| <b>TY</b> | Tahitian              | 3453      |
| <b>ty</b> | Tahitian              | 3453      |
| <b>UG</b> | Uighur; Uyghur        | 3453      |
| <b>ug</b> | Uighur; Uyghur        | 3453      |
| <b>UK</b> | Ukrainian             | 3453      |
| <b>uk</b> | Ukrainian             | 3453      |
| <b>UR</b> | Urdu                  | 3453      |
| <b>ur</b> | Urdu                  | 3453      |
| <b>UZ</b> | Uzbek                 | 3453      |
| <b>uz</b> | Uzbek                 | 3453      |
| <b>VE</b> | Venda                 | 3453      |
| <b>ve</b> | Venda                 | 3453      |
| <b>VI</b> | Vietnamese            | 3453      |
| <b>vi</b> | Vietnamese            | 3453      |
| <b>VO</b> | Volapük               | 3453      |
| <b>vo</b> | Volapük               | 3453      |
| <b>WA</b> | Walloon               | 3453      |
| <b>wa</b> | Walloon               | 3453      |
| <b>WO</b> | Wolof                 | 3453      |
| <b>wo</b> | Wolof                 | 3453      |
| <b>XH</b> | Xhosa                 | 3453      |

## Applicable codes

| Code      | Name/description | Code list |
|-----------|------------------|-----------|
| <b>xh</b> | Xhosa            | 3453      |
| <b>YI</b> | Yiddish          | 3453      |
| <b>yi</b> | Yiddish          | 3453      |
| <b>YO</b> | Yoruba           | 3453      |
| <b>yo</b> | Yoruba           | 3453      |
| <b>ZA</b> | Zhuang; Chuang   | 3453      |
| <b>za</b> | Zhuang; Chuang   | 3453      |
| <b>ZH</b> | Chinese          | 3453      |
| <b>zh</b> | Chinese          | 3453      |
| <b>ZU</b> | Zulu             | 3453      |
| <b>zu</b> | Zulu             | 3453      |

### 4053 Delivery or transport terms description code

| Code       | Name/description  | Code list |
|------------|---|-----------|
| <b>CFR</b> | Cost and Freight (insert named port of destination)                                     | 4053      |
| <b>CIF</b> | Cost, Insurance and Freight (insert named port of destination)                          | 4053      |
| <b>CIP</b> | Carriage and Insurance Paid to (insert named place of destination)                      | 4053      |
| <b>CPT</b> | Carriage Paid To (insert named place of destination)                                    | 4053      |
| <b>DAF</b> | Delivered At Frontier (... named place) (removed in version 2010)                       | 4053      |
| <b>DAP</b> | Delivered At Place (insert named place of destination)                                  | 4053      |
| <b>DAT</b> | Delivered At Terminal (insert named terminal at port or place of destination)           | 4053      |
| <b>DDP</b> | Delivered Duty Paid (insert named place of destination)                                 | 4053      |
| <b>DDU</b> | Delivered Duty Unpaid (... named place of destination) (removed in version 2010)        | 4053      |
| <b>DEQ</b> | Delivered Ex Quay (Duty paid) (... named port of destination) (removed in version 2010) | 4053      |
| <b>DES</b> | Delivered Ex Ship (... named port of destination) (removed in version 2010)             | 4053      |
| <b>EXW</b> | Ex Works (insert named place of delivery)   | 4053      |
| <b>FAS</b> | Free Alongside Ship (insert named port of shipment)                                     | 4053      |
| <b>FCA</b> | Free Carrier (insert named place of delivery)   | 4053      |
| <b>FOB</b> | Free On Board (insert named port of shipment)   | 4053      |

### 4183 Special condition code

| Code       | Name/description                  | Code list |
|------------|-----------------------------------|-----------|
| <b>AAA</b> | Correction of goods receiving     | JAI036    |
| <b>AAB</b> | Transport damage                  | JAI036    |
| <b>AAC</b> | Other                             | JAI036    |
| <b>67</b>  | Delivery with change of ownership | 4183      |
| <b>69</b>  | Supply for consignment            | 4183      |
| <b>140</b> | Return of goods                   | 4183      |

### 4279 Payment terms type code qualifier

| Code      | Name/description | Code list |
|-----------|------------------|-----------|
| <b>1</b>  | Basic            | 4279      |
| <b>22</b> | Discount         | 4279      |
| <b>78</b> | Factoring        | 4279      |

### 4347 Product identifier code qualifier

| Code     | Name/description          | Code list |
|----------|---------------------------|-----------|
| <b>1</b> | Additional identification | 4347      |

### 4441 Free text description code

## Applicable codes

| Code  | Name/description  | Code list |
|---|---|-----------|
| -   | No restrictions for the transport of dangerous goods  | 4441      |
| <b>B</b>  | Passage forbidden through tunnels of category B, C, D and E   | 4441      |
| <b>B/D</b>                                      | Passage forbidden through tunnels of category B and C when carried in tanks; Passage forbidden through tunnels of category D and E  | 4441      |
| <b>B/E</b>                                      | Passage forbidden through tunnels of category B, C and D when carried in tanks; Passage forbidden through tunnels of category E   | 4441      |
| <b>B1000C</b>                                   | Passage forbidden through tunnels of category B when the total net explosive mass per transport unit is greater than 1000 kg Passage forbidden through tunnels of category C, D and E | 4441      |
| <b>C</b>  | Passage forbidden through tunnels of category C, D and E  | 4441      |
| <b>C/D</b>                                      | Passage forbidden through tunnels of category C when carried in tanks: Passage forbidden through tunnels of category D and E  | 4441      |
| <b>C/E</b>                                      | Passage forbidden through tunnels of category C and D when carried in tanks; Passage forbidden through tunnels of category E  | 4441      |
| <b>C5000D</b>                                   | Passage forbidden through tunnels of category C when the total net explosive mass per transport unit is greater than 5000 kg; Passage forbidden through tunnels of category D and E   | 4441      |
| <b>D</b>  | Passage forbidden through tunnels of category D and E   | 4441      |
| <b>D/E</b>                                      | Passage forbidden through tunnels of category D when carried in bulk or in tanks; Passage forbidden through tunnels of category E   | 4441      |
| <b>E</b>  | Passage forbidden through tunnels of category E   | 4441      |
| <b>4451 Text subject code qualifier</b>         |   |           |
| Code  | Name/description  | Code list |
| <b>AAB</b>                                      | Payment term  | 4451      |
| <b>AAI</b>                                      | General information   | 4451      |
| <b>AAR</b>                                      | Terms of delivery   | 4451      |
| <b>ALC</b>                                      | Allowance/charge information  | 4451      |
| <b>CHG</b>                                      | Change information  | 4451      |
| <b>CUS</b>                                      | Customs declaration information   | 4451      |
| <b>REG</b>                                      | Regulatory information  | 4451      |
| <b>TXD</b>                                      | Tax declaration   | 4451      |
| <b>4461 Payment means code</b>                  |   |           |
| Code  | Name/description  | Code list |
| <b>49</b>                                       | Direct debit  | 4461      |
| <b>57</b>                                       | Standing agreement  | 4461      |
| <b>58</b>                                       | SEPA credit transfer  | 4461      |
| <b>59</b>                                       | SEPA direct debit   | 4461      |
| <b>4465 Adjustment reason description code</b>  |   |           |
| Code  | Name/description  | Code list |
| <b>ZZZ</b>                                      | Mutually defined  | 4465      |
| <b>5025 Monetary amount type code qualifier</b> |   |           |
| Code  | Name/description  | Code list |
| <b>8</b>  | Allowance or charge amount  | 5025      |
| <b>38</b>                                       | Invoice item amount   | 5025      |
| <b>52</b>                                       | Discount amount   | 5025      |
| <b>77</b>                                       | Invoice line item amount  | 5025      |
| <b>79</b>                                       | Total line items amount   | 5025      |
| <b>109</b>                                      | Payment discount amount   | 5025      |
| <b>113</b>                                      | Prepaid amount  | 5025      |

## Applicable codes

| Code   | Name/description  | Code list |
|--|---|-----------|
| <b>124</b>   | Tax amount  | 5025      |
| <b>125</b>   | Taxable amount  | 5025      |
| <b>136</b>   | Total invoice additional amount   | 5025      |
| <b>139</b>   | Total payment amount  | 5025      |
| <b>176</b>   | Message total duty/tax/fee amount   | 5025      |
| <b>203</b>   | Line item amount  | 5025      |
| <b>204</b>   | Allowance amount  | 5025      |
| <b>262</b>   | Instalment amount   | 5025      |
| <b>342</b>   | Non-taxable amount  | 5025      |
| <b>372</b>   | Direct debit transfer amount  | 5025      |
| <b>389</b>   | Amount excluding Value Added Tax (VAT)  | 5025      |
| <b>403</b>   | Exemption amount  | 5025      |
| <b>5125 Price code qualifier</b>                       |   |           |
| Code   | Name/description  | Code list |
| <b>AAA</b>   | Calculation net   | 5125      |
| <b>AAB</b>   | Calculation gross   | 5125      |
| <b>5153 Duty or tax or fee type name code</b>          |   |           |
| Code   | Name/description  | Code list |
| <b>AAG</b>   | Harmonised sales tax, Canadian  | 5153      |
| <b>AAH</b>   | Quebec sales tax  | 5153      |
| <b>AAI</b>   | Canadian provincial sales tax   | 5153      |
| <b>BOL</b>   | Stamp duty (Imposta di Bollo)   | 5153      |
| <b>GST</b>   | Goods and services tax  | 5153      |
| <b>LOC</b>   | Local sales tax   | 5153      |
| <b>OTH</b>   | Other taxes   | 5153      |
| <b>STT</b>   | State/provincial sales tax  | 5153      |
| <b>SUR</b>   | Surtax  | 5153      |
| <b>VAT</b>   | Value added tax   | 5153      |
| <b>5245 Percentage type code qualifier</b>             |   |           |
| Code   | Name/description  | Code list |
| <b>3</b>   | Monetary amount adjustment percentage   | 5245      |
| <b>7</b>   | Percentage of invoice   | 5245      |
| <b>8</b>   | Reduction/surcharge percentage  | 5245      |
| <b>12</b>  | Discount  | 5245      |
| <b>122</b>   | Percentage of total payment   | 5245      |
| <b>5283 Duty or tax or fee function code qualifier</b> |   |           |
| Code   | Name/description  | Code list |
| <b>7</b>   | Tax   | 5283      |
| <b>5305 Duty or tax or fee category code</b>           |   |           |
| Code   | Name/description  | Code list |
| <b>AE3</b>   | VAT Reverse Charge in bypass transactions   | JAI003    |
| <b>K</b>   | VAT exempt for intra community supply of goods (VAT/IGIC/IPSI not levied due to Intra-community supply rules) | JAI003    |
| <b>L</b>   | Canary Islands general indirect tax   | JAI003    |
| <b>M</b>   | Tax for production, services and importation in Ceuta and Miilla  | JAI003    |
| <b>AE</b>  | VAT Reverse Charge  | 5305      |



## Applicable codes

| Code   | Name/description  | Code list |
|--|---|-----------|
| <b>E</b>   | Exempt from tax   | 5305      |
| <b>G</b>   | Free export item, tax not charged                                 | 5305      |
| <b>K</b>   | VAT exempt for EEA intra-community supply of goods and services   | 5305      |
| <b>L</b>   | Canary Islands general indirect tax                               | 5305      |
| <b>M</b>   | Tax for production, services and importation in Ceuta and Melilla | 5305      |
| <b>O</b>   | Services outside scope of tax                                     | 5305      |
| <b>S</b>   | Standard rate   | 5305      |
| <b>Z</b>   | Zero rated goods  | 5305      |
| <b>5307 Tax or duty or fee payment due date code</b> |   |           |
| Code   | Name/description  | Code list |
| <b>1</b>   | Duty, tax or fee payment due on invoice payment date              | 5307      |
| <b>2</b>   | Duty, tax or fee payment due on invoice issue date                | 5307      |
| <b>5387 Price specification code</b>                 |   |           |
| Code   | Name/description  | Code list |
| <b>AAL</b>   | Old price   | 5387      |
| <b>ABM</b>   | Base price difference   | 5387      |
| <b>CON</b>   | Contract price  | 5387      |
| <b>FCR</b>   | Freight/charge rate   | 5387      |
| <b>5419 Rate type code qualifier</b>                 |   |           |
| Code   | Name/description  | Code list |
| <b>1</b>   | Allowance rate  | 5419      |
| <b>2</b>   | Charge rate   | 5419      |
| <b>5463 Allowance or charge code qualifier</b>       |   |           |
| Code   | Name/description  | Code list |
| <b>A</b>   | Allowance   | 5463      |
| <b>C</b>   | Charge  | 5463      |
| <b>6063 Quantity type code qualifier</b>             |   |           |
| Code   | Name/description  | Code list |
| <b>47</b>  | Invoiced quantity   | 6063      |
| <b>372</b>   | Actual units, cumulative to date                                  | 6063      |
| <b>6069 Control total type code qualifier</b>        |   |           |
| Code   | Name/description  | Code list |
| <b>2</b>   | Number of line items in message                                   | 6069      |
| <b>6343 Currency type code qualifier</b>             |   |           |
| Code   | Name/description  | Code list |
| <b>3</b>   | Home currency   | 6343      |
| <b>4</b>   | Invoicing currency  | 6343      |
| <b>11</b>  | Payment currency  | 6343      |
| <b>6345 Currency identification code</b>             |   |           |
| Code   | Name/description  | Code list |
| <b>AED</b>   | Dirham  | 6345      |
| <b>AFN</b>   | Afghani   | 6345      |
| <b>ALL</b>   | Lek   | 6345      |
| <b>AMD</b>   | Dram  | 6345      |

## Applicable codes

| Code       | Name/description                               | Code list |
|------------|--|-----------|
| <b>ANG</b> | Netherlands Antillian Guilder                  | 6345      |
| <b>AOA</b> | Kwanza   | 6345      |
| <b>ARS</b> | Argentine Peso                                 | 6345      |
| <b>AUD</b> | Australian Dollar                              | 6345      |
| <b>AWG</b> | Aruban Florin                                  | 6345      |
| <b>AZM</b> | Azerbaijani Manat                              | 6345      |
| <b>AZN</b> | Azerbaijan Manat                               | 6345      |
| <b>BAM</b> | Convertible Mark                               | 6345      |
| <b>BBD</b> | Barbados Dollar                                | 6345      |
| <b>BDT</b> | Taka   | 6345      |
| <b>BGN</b> | Bulgarian Lev                                  | 6345      |
| <b>BHD</b> | Bahraini Dinar                                 | 6345      |
| <b>BIF</b> | Burundi Franc                                  | 6345      |
| <b>BMD</b> | Bermudian Dollar (customarily: Bermuda Dollar) | 6345      |
| <b>BND</b> | Brunei Dollar                                  | 6345      |
| <b>BOB</b> | Boliviano                                      | 6345      |
| <b>BOV</b> | Mvdol  | 6345      |
| <b>BRL</b> | Brazilian Real                                 | 6345      |
| <b>BSD</b> | Bahamian Dollar                                | 6345      |
| <b>BTN</b> | Ngultrum                                       | 6345      |
| <b>BWP</b> | Pula   | 6345      |
| <b>BYN</b> | Belarussian Ruble                              | 6345      |
| <b>BYR</b> | Belarussian Ruble                              | 6345      |
| <b>BZD</b> | Belize Dollar                                  | 6345      |
| <b>CAD</b> | Canadian Dollar                                | 6345      |
| <b>CDF</b> | Franc Congolais                                | 6345      |
| <b>CHE</b> | WIR Euro                                       | 6345      |
| <b>CHF</b> | Swiss Franc                                    | 6345      |
| <b>CHW</b> | WIR Franc                                      | 6345      |
| <b>CLF</b> | Unidad de Fomento                              | 6345      |
| <b>CLP</b> | Chilean Peso                                   | 6345      |
| <b>CNY</b> | Yuan Renminbi                                  | 6345      |
| <b>COP</b> | Colombian Peso                                 | 6345      |
| <b>COU</b> | Unidad de Valor Real                           | 6345      |
| <b>CRC</b> | Costa Rican Colon                              | 6345      |
| <b>CSD</b> | Serbian Dinar                                  | 6345      |
| <b>CUC</b> | Peso Convertible                               | 6345      |
| <b>CUP</b> | Cuban Peso                                     | 6345      |
| <b>CVE</b> | Cabo Verde Escudo                              | 6345      |
| <b>CYP</b> | Cyprus Pound                                   | 6345      |
| <b>CZK</b> | Czech Koruna                                   | 6345      |
| <b>DJF</b> | Djibouti Franc                                 | 6345      |
| <b>DKK</b> | Danish Krone                                   | 6345      |
| <b>DOP</b> | Dominican Peso                                 | 6345      |
| <b>DZD</b> | Algerian Dinar                                 | 6345      |
| <b>EEK</b> | Kroon  | 6345      |
| <b>EGP</b> | Egyptian Pound                                 | 6345      |
| <b>ERN</b> | Nakfa  | 6345      |
| <b>ETB</b> | Ethopian Birr                                  | 6345      |
| <b>EUR</b> | Euro   | 6345      |

## Applicable codes

| Code       | Name/description       | Code list |
|------------|------------------------|-----------|
| <b>FJD</b> | Fiji Dollar            | 6345      |
| <b>FKP</b> | Falkland Islands Pound | 6345      |
| <b>GBP</b> | Pound Sterling         | 6345      |
| <b>GEL</b> | Lari                   | 6345      |
| <b>GHC</b> | Cedi                   | 6345      |
| <b>GHS</b> | Ghana Cedi             | 6345      |
| <b>GIP</b> | Gibraltar Pound        | 6345      |
| <b>GMD</b> | Dalasi                 | 6345      |
| <b>GNF</b> | Guinean Franc          | 6345      |
| <b>GTQ</b> | Quetzal                | 6345      |
| <b>GYD</b> | Guyana Dollar          | 6345      |
| <b>HKD</b> | Honk Kong Dollar       | 6345      |
| <b>HNL</b> | Lempira                | 6345      |
| <b>HRK</b> | Kuna                   | 6345      |
| <b>HTG</b> | Gourde                 | 6345      |
| <b>HUF</b> | Forint                 | 6345      |
| <b>IDR</b> | Rupiah                 | 6345      |
| <b>ILS</b> | New Israeli Sheqel     | 6345      |
| <b>INR</b> | Indian Rupee           | 6345      |
| <b>IQD</b> | Iraqi Dinar            | 6345      |
| <b>IRR</b> | Iranian Rial           | 6345      |
| <b>ISK</b> | Iceland Krona          | 6345      |
| <b>JMD</b> | Jamaican Dollar        | 6345      |
| <b>JOD</b> | Jordanian Dinar        | 6345      |
| <b>JPY</b> | Yen                    | 6345      |
| <b>KES</b> | Kenyan Shilling        | 6345      |
| <b>KGS</b> | Som                    | 6345      |
| <b>KHR</b> | Riel                   | 6345      |
| <b>KMF</b> | Comorian Franc         | 6345      |
| <b>KPW</b> | North Korean Won       | 6345      |
| <b>KRW</b> | Won                    | 6345      |
| <b>KWD</b> | Kuwaiti Dinar          | 6345      |
| <b>KYD</b> | Cayman Islands Dollar  | 6345      |
| <b>KZT</b> | Tenge                  | 6345      |
| <b>LAK</b> | Lao Kip                | 6345      |
| <b>LBP</b> | Lebanese Pound         | 6345      |
| <b>LKR</b> | Sri Lanka Rupee        | 6345      |
| <b>LRD</b> | Liberian Dollar        | 6345      |
| <b>LSL</b> | Loti                   | 6345      |
| <b>LTL</b> | Lithuanian Litas       | 6345      |
| <b>LVL</b> | Latvian Lats           | 6345      |
| <b>LYD</b> | Libyan Dinar           | 6345      |
| <b>MAD</b> | Moroccan Dirham        | 6345      |
| <b>MDL</b> | Moldovan Leu           | 6345      |
| <b>MGA</b> | Ariary                 | 6345      |
| <b>MGF</b> | Malagasy Franc         | 6345      |
| <b>MKD</b> | Denar                  | 6345      |
| <b>MMK</b> | Kyat                   | 6345      |
| <b>MNT</b> | Tugrik                 | 6345      |
| <b>MOP</b> | Pataca                 | 6345      |

## Applicable codes

| Code       | Name/description                  | Code list |
|------------|-----------------------------------|-----------|
| <b>MRO</b> | Ouguiya                           | 6345      |
| <b>MTL</b> | Maltese Lira                      | 6345      |
| <b>MUR</b> | Mauritius Rupee                   | 6345      |
| <b>MVR</b> | Rufiyaa                           | 6345      |
| <b>MWK</b> | Malawi Kwacha                     | 6345      |
| <b>MXN</b> | Mexican Peso                      | 6345      |
| <b>MXV</b> | Mexican Unidad de Inversion (UDI) | 6345      |
| <b>MYR</b> | Malaysian Ringgit                 | 6345      |
| <b>MZM</b> | Metical                           | 6345      |
| <b>MZN</b> | Mozambique Metical                | 6345      |
| <b>NAD</b> | Namibia Dollar                    | 6345      |
| <b>NGN</b> | Naira                             | 6345      |
| <b>NIO</b> | Cordoba Oro                       | 6345      |
| <b>NOK</b> | Norwegian Krone                   | 6345      |
| <b>NPR</b> | Nepalese Rupee                    | 6345      |
| <b>NZD</b> | New Zealand Dollar                | 6345      |
| <b>OMR</b> | Rial Omani                        | 6345      |
| <b>PAB</b> | Balboa                            | 6345      |
| <b>PEN</b> | Sol                               | 6345      |
| <b>PGK</b> | Kina                              | 6345      |
| <b>PHP</b> | Philippine Peso                   | 6345      |
| <b>PKR</b> | Pakistan Rupee                    | 6345      |
| <b>PLN</b> | Zloty                             | 6345      |
| <b>PYG</b> | Guarani                           | 6345      |
| <b>QAR</b> | Qatari Rial                       | 6345      |
| <b>ROL</b> | old Romanian Leu                  | 6345      |
| <b>RON</b> | Romanian Leu                      | 6345      |
| <b>RSD</b> | Serbian Dinar                     | 6345      |
| <b>RUB</b> | Russian Ruble                     | 6345      |
| <b>RWF</b> | Rwanda Franc                      | 6345      |
| <b>SAR</b> | Saudi Riyal                       | 6345      |
| <b>SBD</b> | Solomon Islands Dollar            | 6345      |
| <b>SCR</b> | Seychelles Rupee                  | 6345      |
| <b>SDD</b> | Sudanese Dinar                    | 6345      |
| <b>SDG</b> | Sudanese Pound                    | 6345      |
| <b>SEK</b> | Swedish Krona                     | 6345      |
| <b>SGD</b> | Singapore Dollar                  | 6345      |
| <b>SHP</b> | St. Helena Pound                  | 6345      |
| <b>SIT</b> | Tolar                             | 6345      |
| <b>SKK</b> | Slovak Koruna                     | 6345      |
| <b>SLL</b> | Leone                             | 6345      |
| <b>SOS</b> | Somali Shilling                   | 6345      |
| <b>SRD</b> | Suriname Dollar                   | 6345      |
| <b>SRG</b> | Suriname Guilder                  | 6345      |
| <b>SSP</b> | South Sudanese Pound              | 6345      |
| <b>STD</b> | Dobra                             | 6345      |
| <b>SVC</b> | El Salvador Colon                 | 6345      |
| <b>SYP</b> | Syrian Pound                      | 6345      |
| <b>SZL</b> | Lilangeni                         | 6345      |
| <b>THB</b> | Baht                              | 6345      |

## Applicable codes

| Code       | Name/description  | Code list |
|------------|---|-----------|
| <b>TJS</b> | Somoni  | 6345      |
| <b>TMM</b> | Manat   | 6345      |
| <b>TMT</b> | Turkmenistan New Manat  | 6345      |
| <b>TND</b> | Tunisian Dinar  | 6345      |
| <b>TOP</b> | Pa'anga   | 6345      |
| <b>TRL</b> | Turkish Lira  | 6345      |
| <b>TRY</b> | Turkish Lira  | 6345      |
| <b>TTD</b> | Trinidad and Tobago Dollar  | 6345      |
| <b>TWD</b> | New Taiwan Dollar   | 6345      |
| <b>TZS</b> | Tanzanian Shilling  | 6345      |
| <b>UAH</b> | Hryvnia   | 6345      |
| <b>UGX</b> | Uganda Shilling   | 6345      |
| <b>USD</b> | US Dollar   | 6345      |
| <b>USN</b> | US Dollar (Next day)  | 6345      |
| <b>UYI</b> | Uruguayo Peso en Unidades Indexadas (UI)                          | 6345      |
| <b>UYU</b> | Peso Uruguayo   | 6345      |
| <b>UZS</b> | Uzbekistan Sum  | 6345      |
| <b>VEB</b> | Bolivar   | 6345      |
| <b>VEF</b> | Bolívar   | 6345      |
| <b>VND</b> | Dong  | 6345      |
| <b>VUV</b> | Vatu  | 6345      |
| <b>WST</b> | Tala  | 6345      |
| <b>XAF</b> | CFA Franc   | 6345      |
| <b>XAG</b> | Silver  | 6345      |
| <b>XAU</b> | Gold  | 6345      |
| <b>XBA</b> | Bond Markets Units European Composite Unit (EURCO)                | 6345      |
| <b>XBB</b> | European Monetary Unit (E.M.U.-6)                                 | 6345      |
| <b>XBC</b> | European Unit of Account 9 (E.U.A.-9)                             | 6345      |
| <b>XBD</b> | European Unit of Account 17 (E.U.A.-17)                           | 6345      |
| <b>XCD</b> | East Carribean Dollar   | 6345      |
| <b>XDR</b> | SDR   | 6345      |
| <b>XOF</b> | CFA Franc   | 6345      |
| <b>XPD</b> | Palladium   | 6345      |
| <b>XPF</b> | CFP Franc   | 6345      |
| <b>XPT</b> | Platinum  | 6345      |
| <b>XSU</b> | Sucre   | 6345      |
| <b>XTS</b> | Codes specifically reserved for testing purposes                  | 6345      |
| <b>XUA</b> | ADB Unit of Account   | 6345      |
| <b>XXX</b> | The codes assigned for transactions where no currency is involved | 6345      |
| <b>YER</b> | Yemeni Rial   | 6345      |
| <b>YUM</b> | New Dinar   | 6345      |
| <b>ZAR</b> | Rand  | 6345      |
| <b>ZMK</b> | Kwacha  | 6345      |
| <b>ZMW</b> | Zambian Kwacha  | 6345      |
| <b>ZWD</b> | Zimbabwe Dollar   | 6345      |
| <b>ZWL</b> | Zimbabwe Dollar   | 6345      |
| <b>ZWR</b> | Zimbabwe Dollar   | 6345      |

**6347** Currency usage code qualifier

## Applicable codes

| Code        | Name/description                        | Code list |
|-------------|---|-----------|
| 1           | Charge payment currency                 | 6347      |
| 2           | Reference currency                      | 6347      |
| 3           | Target currency                         | 6347      |
| 4           | Transport document currency             | 6347      |
| 5           | Calculation base currency               | 6347      |
| 6           | Information Currency                    | 6347      |
| 7           | Currency of the account                 | 6347      |
| <b>6411</b> | <b>Measurement unit code</b>            |           |
| Code        | Name/description                        | Code list |
| 04          | small spray                             | 6411      |
| 05          | lift                                    | 6411      |
| 06          | small spray                             | 6411      |
| 08          | heat lot                                | 6411      |
| 10          | group                                   | 6411      |
| 11          | outfit                                  | 6411      |
| 13          | ration                                  | 6411      |
| 14          | shot                                    | 6411      |
| 15          | stick, military                         | 6411      |
| 16          | hundred fifteen kg drum                 | 6411      |
| 17          | hundred lb drum                         | 6411      |
| 18          | fiftyfive gallon (US) drum              | 6411      |
| 19          | tank truck                              | 6411      |
| 20          | twenty foot container                   | 6411      |
| 21          | forty foot container                    | 6411      |
| 22          | decilitre per gram                      | 6411      |
| 23          | gram per cubic centimetre               | 6411      |
| 24          | theoretical pound                       | 6411      |
| 25          | gram per square centimetre              | 6411      |
| 26          | actual ton                              | 6411      |
| 27          | theoretical ton                         | 6411      |
| 28          | kilogram per square metre               | 6411      |
| 29          | pound per thousand square feet          | 6411      |
| 30          | horse power day per air dry metric ton  | 6411      |
| 31          | catch weight                            | 6411      |
| 32          | kilogram per air dry metric ton         | 6411      |
| 33          | kilopascal square metre per gram        | 6411      |
| 34          | kilopascal per millimetre               | 6411      |
| 35          | millilitre per square centimetre second | 6411      |
| 36          | cubic feet per minute per square foot   | 6411      |
| 37          | ounce per square foot                   | 6411      |
| 38          | ounce per square foot per 0,01inch      | 6411      |
| 40          | millilitre per second                   | 6411      |
| 41          | millilitre per minute                   | 6411      |
| 43          | super bulk bag                          | 6411      |
| 44          | fivehundred kg bulk bag                 | 6411      |
| 45          | threehundred kg bulk bag                | 6411      |
| 46          | fifty lb bulk bag                       | 6411      |
| 47          | fifty lb bag                            | 6411      |
| 48          | bulk car load                           | 6411      |

## Applicable codes

| Code | Name/description                    | Code list |
|------|-------------------------------------|-----------|
| 53   | theoretical kilograms               | 6411      |
| 54   | theoretical tonne                   | 6411      |
| 56   | sitas                               | 6411      |
| 57   | mesh                                | 6411      |
| 58   | net kilogram                        | 6411      |
| 59   | part per million                    | 6411      |
| 60   | percent weight                      | 6411      |
| 61   | part per billion (US)               | 6411      |
| 62   | percent per 1000 hour               | 6411      |
| 63   | failure rate in time                | 6411      |
| 64   | pound per square inch, gauge        | 6411      |
| 66   | oersted                             | 6411      |
| 69   | test specific scale                 | 6411      |
| 71   | volt ampere per pound               | 6411      |
| 72   | watt per pound                      | 6411      |
| 73   | ampere tum per centimetre           | 6411      |
| 74   | millipascal                         | 6411      |
| 76   | gauss                               | 6411      |
| 77   | milli-inch                          | 6411      |
| 78   | kilogauss                           | 6411      |
| 80   | pound per square inch absolute      | 6411      |
| 81   | henry                               | 6411      |
| 84   | kilopound-force per square inch     | 6411      |
| 85   | foot pound-force                    | 6411      |
| 87   | pound per cubic foot                | 6411      |
| 89   | poise                               | 6411      |
| 90   | Saybold universal second            | 6411      |
| 91   | stokes                              | 6411      |
| 92   | calorie per cubic centimetre        | 6411      |
| 93   | calorie per gram                    | 6411      |
| 94   | curl unit                           | 6411      |
| 95   | twenty thousand gallon (US) tankcar | 6411      |
| 96   | ten thousand gallon (US) tankcar    | 6411      |
| 97   | ten kg drum                         | 6411      |
| 98   | fifteen kg drum                     | 6411      |
| 1A   | car mile                            | 6411      |
| 1B   | car count                           | 6411      |
| 1C   | locomotive count                    | 6411      |
| 1D   | caboose count                       | 6411      |
| 1E   | empty car                           | 6411      |
| 1F   | train mile                          | 6411      |
| 1G   | fuel usage gallon (US)              | 6411      |
| 1H   | caboose mile                        | 6411      |
| 1I   | fixed rate                          | 6411      |
| 1J   | ton mile                            | 6411      |
| 1K   | locomotive mile                     | 6411      |
| 1L   | total car count                     | 6411      |
| 1M   | total car mile                      | 6411      |
| 1X   | quarter mile                        | 6411      |
| 2A   | radian per second                   | 6411      |

## Applicable codes

| Code | Name/description                                    | Code list |
|------|---|-----------|
| 2B   | radian per second squared                           | 6411      |
| 2C   | roentgen  | 6411      |
| 2G   | volt AC   | 6411      |
| 2H   | volt DC   | 6411      |
| 2I   | British thermal unit (international table) per hour | 6411      |
| 2J   | cubic centimetre per second                         | 6411      |
| 2K   | cubic foot per hour                                 | 6411      |
| 2L   | cubic foot per minute                               | 6411      |
| 2M   | centimetre per second                               | 6411      |
| 2N   | decibel   | 6411      |
| 2P   | kilobyte  | 6411      |
| 2Q   | kilobecquerel                                       | 6411      |
| 2R   | kilocurie   | 6411      |
| 2U   | megagram  | 6411      |
| 2V   | megagram per hour                                   | 6411      |
| 2W   | bin   | 6411      |
| 2X   | metre per minute                                    | 6411      |
| 2Y   | milliroentgen                                       | 6411      |
| 2Z   | millivolt   | 6411      |
| 3B   | megajoule   | 6411      |
| 3C   | manmonth  | 6411      |
| 3E   | pound per pound of product                          | 6411      |
| 3G   | pound per piece of product                          | 6411      |
| 3H   | kilogram per kilogram of product                    | 6411      |
| 3I   | kilogram per piece of product                       | 6411      |
| 4A   | bobbin  | 6411      |
| 4B   | cap   | 6411      |
| 4C   | centistokes   | 6411      |
| 4E   | twenty pack   | 6411      |
| 4G   | microlitre  | 6411      |
| 4H   | micrometre (micron)                                 | 6411      |
| 4K   | milliampere   | 6411      |
| 4L   | megabyte  | 6411      |
| 4M   | milligram per hour                                  | 6411      |
| 4N   | megabecquerel                                       | 6411      |
| 4O   | microfarad  | 6411      |
| 4P   | newton per metre                                    | 6411      |
| 4Q   | ounce inch  | 6411      |
| 4R   | ounce foot  | 6411      |
| 4T   | picofarad   | 6411      |
| 4U   | pound per hour                                      | 6411      |
| 4W   | ton (US) per hour                                   | 6411      |
| 4X   | kilolitre per hour                                  | 6411      |
| 5A   | barrel (US) per minute                              | 6411      |
| 5B   | batch   | 6411      |
| 5C   | gallon(US) per thousand                             | 6411      |
| 5E   | MMSCF/day   | 6411      |
| 5F   | pounds per thousand                                 | 6411      |
| 5G   | pump  | 6411      |
| 5H   | stage   | 6411      |



## Applicable codes

| Code | Name/description   | Code list |
|------|--|-----------|
| 5I   | standard cubic foot  | 6411      |
| 5J   | hydraulic horse power  | 6411      |
| 5K   | count per minute   | 6411      |
| 5P   | seismic level  | 6411      |
| 5Q   | seismic line   | 6411      |
| A1   | 15 °C calorie  | 6411      |
| A10  | ampere square metre per joule second   | 6411      |
| A11  | angstrom   | 6411      |
| A12  | astronomical unit  | 6411      |
| A13  | attojoule  | 6411      |
| A14  | barn   | 6411      |
| A15  | barn per electronvolt  | 6411      |
| A16  | barn per steradian electronvolt  | 6411      |
| A17  | barn per steradian   | 6411      |
| A18  | becquerel per kilogram   | 6411      |
| A19  | becquerel per cubic metre  | 6411      |
| A2   | ampere per centimetre  | 6411      |
| A20  | British thermal unit (international table) per second square foot degree Rankine | 6411      |
| A21  | British thermal unit (international table) per pound degree Rankine              | 6411      |
| A22  | British thermal unit (international table) per second foot degree Rankine        | 6411      |
| A23  | British thermal unit (international table) per hour square foot degree Rankine   | 6411      |
| A24  | candela per square metre   | 6411      |
| A25  | cheval vapeur  | 6411      |
| A26  | coulomb metre  | 6411      |
| A27  | coulomb metre squared per volt   | 6411      |
| A28  | coulomb per cubic centimetre   | 6411      |
| A29  | coulomb per cubic metre  | 6411      |
| A3   | ampere per millimetre  | 6411      |
| A30  | coulomb per cubic millimetre   | 6411      |
| A31  | coulomb per kilogram second  | 6411      |
| A32  | coulomb per mole   | 6411      |
| A33  | coulomb per square centimetre  | 6411      |
| A34  | coulomb per square metre   | 6411      |
| A35  | coulomb per square millimetre  | 6411      |
| A36  | cubic centimetre per mole  | 6411      |
| A37  | cubic decimetre per mole   | 6411      |
| A38  | cubic metre per coulomb  | 6411      |
| A39  | cubic metre per kilogram   | 6411      |
| A4   | ampere per square centimetre   | 6411      |
| A40  | cubic metre per mole   | 6411      |
| A41  | ampere per square metre  | 6411      |
| A42  | curie per kilogram   | 6411      |
| A43  | deadweight tonnage   | 6411      |
| A44  | decalitre  | 6411      |
| A45  | decametre  | 6411      |
| A47  | decitex  | 6411      |
| A48  | degree Rankine   | 6411      |
| A49  | denier   | 6411      |
| A5   | ampere square metre  | 6411      |
| A50  | dyne second per cubic centimetre   | 6411      |

## Applicable codes

| Code | Name/description   | Code list |
|------|--|-----------|
| A51  | dyne second per centimetre   | 6411      |
| A52  | dyne second per centimetre to the fifth power                                | 6411      |
| A53  | electronvolt   | 6411      |
| A54  | electronvolt per metre   | 6411      |
| A55  | electronvolt square metre  | 6411      |
| A56  | electronvolt square metre per kilogram                                       | 6411      |
| A57  | erg  | 6411      |
| A58  | erg per centimetre   | 6411      |
| A59  | 8-part cloud cover   | 6411      |
| A6   | ampere per square metre kelvin squared                                       | 6411      |
| A60  | erg per cubic centimetre   | 6411      |
| A61  | erg per gram   | 6411      |
| A62  | erg per gram second  | 6411      |
| A63  | erg per second   | 6411      |
| A64  | erg per second square centimetre   | 6411      |
| A65  | erg per square centimetre second   | 6411      |
| A66  | erg square centimetre  | 6411      |
| A67  | erg square centimetre per gram   | 6411      |
| A68  | exajoule   | 6411      |
| A69  | farad per metre  | 6411      |
| A7   | ampere per square millimetre   | 6411      |
| A70  | femtojoule   | 6411      |
| A71  | femtometre   | 6411      |
| A73  | foot per second squared  | 6411      |
| A74  | foot pound-force per second  | 6411      |
| A75  | freight ton  | 6411      |
| A76  | gal  | 6411      |
| A77  | Gaussian CGS (Centimetre-Gram-Second system) unit of displacement            | 6411      |
| A78  | Gaussian CGS (Centimetre-Gram-Second system) unit of electric current        | 6411      |
| A79  | Gaussian CGS (Centimetre-Gram-Second system) unit of electric charge         | 6411      |
| A8   | ampere second  | 6411      |
| A80  | Gaussian CGS (Centimetre-Gram-Second system) unit of electric field strength | 6411      |
| A81  | Gaussian CGS (Centimetre-Gram-Second system) unit of electric polarization   | 6411      |
| A82  | Gaussian CGS (Centimetre-Gram-Second system) unit of electric potential      | 6411      |
| A83  | Gaussian CGS (Centimetre-Gram-Second system) unit of magnetization           | 6411      |
| A84  | gigacoulomb per cubic metre  | 6411      |
| A85  | gigaelectronvolt   | 6411      |
| A86  | gigahertz  | 6411      |
| A87  | gigaohm  | 6411      |
| A88  | gigaohm metre  | 6411      |
| A89  | gigapascal   | 6411      |
| A9   | rate   | 6411      |
| A90  | gigawatt   | 6411      |
| A91  | gon  | 6411      |
| A93  | gram per cubic metre   | 6411      |
| A94  | gram per mole  | 6411      |
| A95  | gray   | 6411      |
| A96  | gray per second  | 6411      |
| A97  | hectopascal  | 6411      |
| A98  | henry per metre  | 6411      |

## Applicable codes

| Code       | Name/description                                     | Code list |
|------------|--|-----------|
| <b>A99</b> | bit  | 6411      |
| <b>AA</b>  | ball   | 6411      |
| <b>AB</b>  | bulk pack  | 6411      |
| <b>ACR</b> | acre   | 6411      |
| <b>ACT</b> | activity   | 6411      |
| <b>AD</b>  | byte   | 6411      |
| <b>AE</b>  | ampere per metre                                     | 6411      |
| <b>AH</b>  | additional minute                                    | 6411      |
| <b>AI</b>  | average minute per call                              | 6411      |
| <b>AJ</b>  | cop  | 6411      |
| <b>AK</b>  | fathom   | 6411      |
| <b>AL</b>  | access line  | 6411      |
| <b>AM</b>  | ampoule  | 6411      |
| <b>AMH</b> | ampere hour  | 6411      |
| <b>AMP</b> | ampere   | 6411      |
| <b>ANN</b> | year   | 6411      |
| <b>AP</b>  | aluminium pound only                                 | 6411      |
| <b>APZ</b> | troy ounce or apothecary ounce                       | 6411      |
| <b>AQ</b>  | anti-hemophilic factor (AHF) unit                    | 6411      |
| <b>AR</b>  | suppository  | 6411      |
| <b>ARE</b> | are  | 6411      |
| <b>AS</b>  | assortment   | 6411      |
| <b>ASM</b> | alcoholic strength by mass                           | 6411      |
| <b>ASU</b> | alcoholic strength by volume                         | 6411      |
| <b>ATM</b> | standard atmosphere                                  | 6411      |
| <b>ATT</b> | technical atmosphere                                 | 6411      |
| <b>AV</b>  | capsule  | 6411      |
| <b>AW</b>  | powder filled vial                                   | 6411      |
| <b>AWG</b> | american wire gauge                                  | 6411      |
| <b>AY</b>  | assembly   | 6411      |
| <b>AZ</b>  | British thermal unit (international table) per pound | 6411      |
| <b>B0</b>  | Btu per cubic foot                                   | 6411      |
| <b>B1</b>  | barrel (US) per day                                  | 6411      |
| <b>B10</b> | bit per second                                       | 6411      |
| <b>B11</b> | joule per kilogram kelvin                            | 6411      |
| <b>B12</b> | joule per metre                                      | 6411      |
| <b>B13</b> | joule per square metre                               | 6411      |
| <b>B14</b> | joule per metre to the fourth power                  | 6411      |
| <b>B15</b> | joule per mole                                       | 6411      |
| <b>B16</b> | joule per mole kelvin                                | 6411      |
| <b>B17</b> | credit   | 6411      |
| <b>B18</b> | joule second   | 6411      |
| <b>B19</b> | digit  | 6411      |
| <b>B2</b>  | bunk   | 6411      |
| <b>B20</b> | joule square metre per kilogram                      | 6411      |
| <b>B21</b> | kelvin per watt                                      | 6411      |
| <b>B22</b> | kiloampere   | 6411      |
| <b>B23</b> | kiloampere per square metre                          | 6411      |
| <b>B24</b> | kiloampere per metre                                 | 6411      |
| <b>B25</b> | kilobecquerel per kilogram                           | 6411      |

## Applicable codes

| Code | Name/description                  | Code list |
|------|-----------------------------------|-----------|
| B26  | kilocoulomb                       | 6411      |
| B27  | kilocoulomb per cubic metre       | 6411      |
| B28  | kilocoulomb per square metre      | 6411      |
| B29  | kiloelectronvolt                  | 6411      |
| B3   | batting pound                     | 6411      |
| B30  | gibibit                           | 6411      |
| B31  | kilogram metre per second         | 6411      |
| B32  | kilogram metre squared            | 6411      |
| B33  | kilogram metre squared per second | 6411      |
| B34  | kilogram per cubic decimetre      | 6411      |
| B35  | kilogram per litre                | 6411      |
| B36  | calorie (thermochemical) per gram | 6411      |
| B37  | kilogram-force                    | 6411      |
| B38  | kilogram-force metre              | 6411      |
| B39  | kilogram-force metre per second   | 6411      |
| B4   | barrel, imperial                  | 6411      |
| B40  | kilogram-force per square metre   | 6411      |
| B41  | kilojoule per kelvin              | 6411      |
| B42  | kilojoule per kilogram            | 6411      |
| B43  | kilojoule per kilogram kelvin     | 6411      |
| B44  | kilojoule per mole                | 6411      |
| B45  | kilomole                          | 6411      |
| B46  | kilomole per cubic metre          | 6411      |
| B47  | kilonewton                        | 6411      |
| B48  | kilonewton metre                  | 6411      |
| B49  | kiloohm                           | 6411      |
| B5   | billet                            | 6411      |
| B50  | kiloohm metre                     | 6411      |
| B51  | kilopond                          | 6411      |
| B52  | kilosecond                        | 6411      |
| B53  | kilosiemens                       | 6411      |
| B54  | kilosiemens per metre             | 6411      |
| B55  | kilovolt per metre                | 6411      |
| B56  | kiloweber per metre               | 6411      |
| B57  | light year                        | 6411      |
| B58  | litre per mole                    | 6411      |
| B59  | lumen hour                        | 6411      |
| B6   | bun                               | 6411      |
| B60  | lumen per square metre            | 6411      |
| B61  | lumen per watt                    | 6411      |
| B62  | lumen second                      | 6411      |
| B63  | lux hour                          | 6411      |
| B64  | lux second                        | 6411      |
| B65  | maxwell                           | 6411      |
| B66  | megaampere per square metre       | 6411      |
| B67  | megabecquerel per kilogram        | 6411      |
| B68  | gigabit                           | 6411      |
| B69  | megacoulomb per cubic metre       | 6411      |
| B7   | cycle                             | 6411      |
| B70  | megacoulomb per square metre      | 6411      |

## Applicable codes

| Code       | Name/description                           | Code list |
|------------|--|-----------|
| <b>B71</b> | megaelectronvolt                           | 6411      |
| <b>B72</b> | megagram per cubic metre                   | 6411      |
| <b>B73</b> | meganewton                                 | 6411      |
| <b>B74</b> | meganewton metre                           | 6411      |
| <b>B75</b> | megaohm                                    | 6411      |
| <b>B76</b> | megaohm metre                              | 6411      |
| <b>B77</b> | megasiemens per metre                      | 6411      |
| <b>B78</b> | megavolt                                   | 6411      |
| <b>B79</b> | megavolt per metre                         | 6411      |
| <b>B8</b>  | joule per cubic metre                      | 6411      |
| <b>B80</b> | gigabit per second                         | 6411      |
| <b>B81</b> | reciprocal metre squared reciprocal second | 6411      |
| <b>B82</b> | inch per linear foot                       | 6411      |
| <b>B83</b> | metre to the fourth power                  | 6411      |
| <b>B84</b> | microampere                                | 6411      |
| <b>B85</b> | microbar                                   | 6411      |
| <b>B86</b> | microcoulomb                               | 6411      |
| <b>B87</b> | microcoulomb per cubic metre               | 6411      |
| <b>B88</b> | microcoulomb per square metre              | 6411      |
| <b>B89</b> | microfarad per metre                       | 6411      |
| <b>B9</b>  | batt                                       | 6411      |
| <b>B90</b> | microhenry                                 | 6411      |
| <b>B91</b> | microhenry per metre                       | 6411      |
| <b>B92</b> | micronewton                                | 6411      |
| <b>B93</b> | micronewton metre                          | 6411      |
| <b>B94</b> | microohm                                   | 6411      |
| <b>B95</b> | microohm metre                             | 6411      |
| <b>B96</b> | micropascal                                | 6411      |
| <b>B97</b> | microradian                                | 6411      |
| <b>B98</b> | microsecond                                | 6411      |
| <b>B99</b> | microsiemens                               | 6411      |
| <b>BAR</b> | bar [unit of pressure]                     | 6411      |
| <b>BB</b>  | base box                                   | 6411      |
| <b>BD</b>  | board                                      | 6411      |
| <b>BE</b>  | bundle                                     | 6411      |
| <b>BFT</b> | board foot                                 | 6411      |
| <b>BG</b>  | bag  | 6411      |
| <b>BH</b>  | brush                                      | 6411      |
| <b>BHP</b> | brake horse power                          | 6411      |
| <b>BIL</b> | billion (EUR)                              | 6411      |
| <b>BJ</b>  | bucket                                     | 6411      |
| <b>BK</b>  | basket                                     | 6411      |
| <b>BL</b>  | bale                                       | 6411      |
| <b>BLD</b> | dry barrel (US)                            | 6411      |
| <b>BLL</b> | barrel (US)                                | 6411      |
| <b>BO</b>  | bottle                                     | 6411      |
| <b>BP</b>  | hundred board foot                         | 6411      |
| <b>BPM</b> | beats per minute                           | 6411      |
| <b>BQL</b> | becquerel                                  | 6411      |
| <b>BR</b>  | bar [unit of packaging]                    | 6411      |

## Applicable codes

| Code       | Name/description                           | Code list |
|------------|--|-----------|
| <b>BT</b>  | bolt                                       | 6411      |
| <b>BTU</b> | British thermal unit (international table) | 6411      |
| <b>BUA</b> | bushel (US)                                | 6411      |
| <b>BUI</b> | bushel (UK)                                | 6411      |
| <b>BW</b>  | base weight                                | 6411      |
| <b>BX</b>  | box  | 6411      |
| <b>BZ</b>  | million BTUs                               | 6411      |
| <b>C0</b>  | call                                       | 6411      |
| <b>C1</b>  | composite product pound (total weight)     | 6411      |
| <b>C10</b> | millifarad                                 | 6411      |
| <b>C11</b> | milligal                                   | 6411      |
| <b>C12</b> | milligram per metre                        | 6411      |
| <b>C13</b> | milligray                                  | 6411      |
| <b>C14</b> | millihenry                                 | 6411      |
| <b>C15</b> | millijoule                                 | 6411      |
| <b>C16</b> | millimetre per second                      | 6411      |
| <b>C17</b> | millimetre squared per second              | 6411      |
| <b>C18</b> | millimole                                  | 6411      |
| <b>C19</b> | mole per kilogram                          | 6411      |
| <b>C2</b>  | carset                                     | 6411      |
| <b>C20</b> | millinewton                                | 6411      |
| <b>C21</b> | kibibit                                    | 6411      |
| <b>C22</b> | millinewton per metre                      | 6411      |
| <b>C23</b> | milliohm metre                             | 6411      |
| <b>C24</b> | millipascal second                         | 6411      |
| <b>C25</b> | milliradian                                | 6411      |
| <b>C26</b> | millisecond                                | 6411      |
| <b>C27</b> | millisiemens                               | 6411      |
| <b>C28</b> | millisievert                               | 6411      |
| <b>C29</b> | millitesla                                 | 6411      |
| <b>C3</b>  | microvolt per metre                        | 6411      |
| <b>C30</b> | millivolt per metre                        | 6411      |
| <b>C31</b> | milliwatt                                  | 6411      |
| <b>C32</b> | milliwatt per square metre                 | 6411      |
| <b>C33</b> | milliweber                                 | 6411      |
| <b>C34</b> | mole                                       | 6411      |
| <b>C35</b> | mole per cubic decimetre                   | 6411      |
| <b>C36</b> | mole per cubic metre                       | 6411      |
| <b>C37</b> | kilobit                                    | 6411      |
| <b>C38</b> | mole per litre                             | 6411      |
| <b>C39</b> | nanoampere                                 | 6411      |
| <b>C4</b>  | carload                                    | 6411      |
| <b>C40</b> | nanocoulomb                                | 6411      |
| <b>C41</b> | nanofarad                                  | 6411      |
| <b>C42</b> | nanofarad per metre                        | 6411      |
| <b>C43</b> | nanohenry                                  | 6411      |
| <b>C44</b> | nanohenry per metre                        | 6411      |
| <b>C45</b> | nanometre                                  | 6411      |
| <b>C46</b> | nanohm metre                               | 6411      |
| <b>C47</b> | nanosecond                                 | 6411      |

## Applicable codes

| Code | Name/description                                   | Code list |
|------|--|-----------|
| C48  | nanotesla  | 6411      |
| C49  | nanowatt   | 6411      |
| C5   | cost   | 6411      |
| C50  | neper  | 6411      |
| C51  | neper per second                                   | 6411      |
| C52  | picometre  | 6411      |
| C53  | newton metre second                                | 6411      |
| C54  | newton metre squared per kilogram squared          | 6411      |
| C55  | newton per square metre                            | 6411      |
| C56  | newton per square millimetre                       | 6411      |
| C57  | newton second                                      | 6411      |
| C58  | newton second per metre                            | 6411      |
| C59  | octave   | 6411      |
| C6   | cell   | 6411      |
| C60  | ohm centimetre                                     | 6411      |
| C61  | ohm metre  | 6411      |
| C62  | one  | 6411      |
| C63  | parsec   | 6411      |
| C64  | pascal per kelvin                                  | 6411      |
| C65  | pascal second                                      | 6411      |
| C66  | pascal second per cubic metre                      | 6411      |
| C67  | pascal second per metre                            | 6411      |
| C68  | petajoule  | 6411      |
| C69  | phon   | 6411      |
| C7   | centipoise   | 6411      |
| C70  | picoampere   | 6411      |
| C71  | picocoulomb  | 6411      |
| C72  | picofarad per metre                                | 6411      |
| C73  | picohenry  | 6411      |
| C74  | kilobit per second                                 | 6411      |
| C75  | picowatt   | 6411      |
| C76  | picowatt per square metre                          | 6411      |
| C77  | pound gage   | 6411      |
| C78  | pound-force  | 6411      |
| C79  | kilovolt ampere hour                               | 6411      |
| C8   | millicoulomb per kilogram                          | 6411      |
| C80  | rad  | 6411      |
| C81  | radian   | 6411      |
| C82  | radian square metre per mole                       | 6411      |
| C83  | radian square metre per kilogram                   | 6411      |
| C84  | radian per metre                                   | 6411      |
| C85  | reciprocal angstrom                                | 6411      |
| C86  | reciprocal cubic metre                             | 6411      |
| C87  | reciprocal cubic metre per second                  | 6411      |
| C88  | reciprocal electron volt per cubic metre           | 6411      |
| C89  | reciprocal henry                                   | 6411      |
| C9   | coil group   | 6411      |
| C90  | reciprocal joule per cubic metre                   | 6411      |
| C91  | reciprocal kelvin or kelvin to the power minus one | 6411      |
| C92  | reciprocal metre                                   | 6411      |

## Applicable codes

| Code       | Name/description                                   | Code list |
|------------|--|-----------|
| <b>C93</b> | reciprocal square metre                            | 6411      |
| <b>C94</b> | reciprocal minute                                  | 6411      |
| <b>C95</b> | reciprocal mole                                    | 6411      |
| <b>C96</b> | reciprocal pascal or pascal to the power minus one | 6411      |
| <b>C97</b> | reciprocal second                                  | 6411      |
| <b>C98</b> | reciprocal second per cubic metre                  | 6411      |
| <b>C99</b> | reciprocal second per metre squared                | 6411      |
| <b>CA</b>  | can  | 6411      |
| <b>CCT</b> | carrying capacity in metric ton                    | 6411      |
| <b>CDL</b> | candela  | 6411      |
| <b>CEL</b> | degree Celsius                                     | 6411      |
| <b>CEN</b> | hundred  | 6411      |
| <b>CG</b>  | card   | 6411      |
| <b>CGM</b> | centigram  | 6411      |
| <b>CH</b>  | container  | 6411      |
| <b>CJ</b>  | cone   | 6411      |
| <b>CK</b>  | connector  | 6411      |
| <b>CKG</b> | coulomb per kilogram                               | 6411      |
| <b>CL</b>  | coil   | 6411      |
| <b>CLF</b> | hundred leave                                      | 6411      |
| <b>CLT</b> | centilitre   | 6411      |
| <b>CMK</b> | square centimetre                                  | 6411      |
| <b>CMQ</b> | cubic centimetre                                   | 6411      |
| <b>CMT</b> | centimetre   | 6411      |
| <b>CNP</b> | hundred pack                                       | 6411      |
| <b>CNT</b> | cental (UK)  | 6411      |
| <b>CO</b>  | carboy   | 6411      |
| <b>COU</b> | coulomb  | 6411      |
| <b>CQ</b>  | cartridge  | 6411      |
| <b>CR</b>  | crate  | 6411      |
| <b>CS</b>  | case   | 6411      |
| <b>CT</b>  | carton   | 6411      |
| <b>CTG</b> | content gram                                       | 6411      |
| <b>CTM</b> | metric carat                                       | 6411      |
| <b>CTN</b> | content ton (metric)                               | 6411      |
| <b>CU</b>  | cup  | 6411      |
| <b>CUR</b> | curie  | 6411      |
| <b>CV</b>  | cover  | 6411      |
| <b>CWA</b> | hundred pound (cwt) / hundred weight (US)          | 6411      |
| <b>CWI</b> | hundred weight (UK)                                | 6411      |
| <b>CY</b>  | cylinder   | 6411      |
| <b>CZ</b>  | combo  | 6411      |
| <b>D03</b> | kilowatt hour per hour                             | 6411      |
| <b>D04</b> | lot [unit of weight]                               | 6411      |
| <b>D1</b>  | reciprocal second per steradian                    | 6411      |
| <b>D10</b> | siemens per metre                                  | 6411      |
| <b>D11</b> | mebibit  | 6411      |
| <b>D12</b> | siemens square metre per mole                      | 6411      |
| <b>D13</b> | sievert  | 6411      |
| <b>D14</b> | thousand linear yard                               | 6411      |



## Applicable codes

| Code | Name/description   | Code list |
|------|--|-----------|
| D15  | sone   | 6411      |
| D16  | square centimetre per erg                                    | 6411      |
| D17  | square centimetre per steradian erg                          | 6411      |
| D18  | metre kelvin   | 6411      |
| D19  | square metre kelvin per watt                                 | 6411      |
| D2   | reciprocal second per steradian metre squared                | 6411      |
| D20  | square metre per joule                                       | 6411      |
| D21  | square metre per kilogram                                    | 6411      |
| D22  | square metre per mole  | 6411      |
| D23  | per gram (protein)   | 6411      |
| D24  | square metre per steradian                                   | 6411      |
| D25  | square metre per steradian joule                             | 6411      |
| D26  | square metre per volt second                                 | 6411      |
| D27  | steradian  | 6411      |
| D28  | syphon   | 6411      |
| D29  | terahertz  | 6411      |
| D30  | terajoule  | 6411      |
| D31  | terawatt   | 6411      |
| D32  | terawatt hour  | 6411      |
| D33  | tesla  | 6411      |
| D34  | tex  | 6411      |
| D35  | calorie (thermochemical)                                     | 6411      |
| D36  | megabit  | 6411      |
| D37  | calorie (thermochemical) per gram kelvin                     | 6411      |
| D38  | calorie (thermochemical) per second centimetre kelvin        | 6411      |
| D39  | calorie (thermochemical) per second square centimetre kelvin | 6411      |
| D40  | thousand litre   | 6411      |
| D41  | tonne per cubic metre  | 6411      |
| D42  | tropical year  | 6411      |
| D43  | unified atomic mass unit                                     | 6411      |
| D44  | var  | 6411      |
| D45  | volt squared per kelvin squared                              | 6411      |
| D46  | volt - ampere  | 6411      |
| D47  | volt per centimetre  | 6411      |
| D48  | volt per kelvin  | 6411      |
| D49  | millivolt per kelvin   | 6411      |
| D5   | kilogram per square centimetre                               | 6411      |
| D50  | volt per metre   | 6411      |
| D51  | volt per millimetre  | 6411      |
| D52  | watt per kelvin  | 6411      |
| D53  | watt per metre kelvin  | 6411      |
| D54  | watt per square metre  | 6411      |
| D55  | watt per square metre kelvin                                 | 6411      |
| D56  | watt per square metre kelvin to the fourth power             | 6411      |
| D57  | watt per steradian   | 6411      |
| D58  | watt per steradian square metre                              | 6411      |
| D59  | weber per metre  | 6411      |
| D6   | roentgen per second  | 6411      |
| D60  | weber per millimetre   | 6411      |
| D61  | minute [unit of angle]                                       | 6411      |

## Applicable codes

| Code | Name/description  | Code list |
|------|---|-----------|
| D62  | second [unit of angle]  | 6411      |
| D63  | book  | 6411      |
| D64  | block   | 6411      |
| D65  | round   | 6411      |
| D66  | cassette  | 6411      |
| D67  | dollar per hour   | 6411      |
| D68  | number of words   | 6411      |
| D69  | inch to the fourth power  | 6411      |
| D7   | sandwich  | 6411      |
| D70  | calorie (international table)                                     | 6411      |
| D71  | calorie (international table) per second centimetre kelvin        | 6411      |
| D72  | calorie (international table) per second square centimetre kelvin | 6411      |
| D73  | joule square metre  | 6411      |
| D74  | kilogram per mole   | 6411      |
| D75  | calorie (international table) per gram                            | 6411      |
| D76  | calorie (international table) per gram kelvin                     | 6411      |
| D77  | megacoulomb   | 6411      |
| D78  | megajoule per second  | 6411      |
| D79  | beam  | 6411      |
| D8   | draize score  | 6411      |
| D80  | microwatt   | 6411      |
| D81  | microtesla  | 6411      |
| D82  | microvolt   | 6411      |
| D83  | millinewton metre   | 6411      |
| D85  | microwatt per square metre  | 6411      |
| D86  | millicoulomb  | 6411      |
| D87  | millimole per kilogram  | 6411      |
| D88  | millicoulomb per cubic metre                                      | 6411      |
| D89  | millicoulomb per square metre                                     | 6411      |
| D9   | dyne per square centimetre  | 6411      |
| D90  | cubic metre (net)   | 6411      |
| D91  | rem   | 6411      |
| D92  | band  | 6411      |
| D93  | second per cubic metre  | 6411      |
| D94  | second per cubic metre radian                                     | 6411      |
| D95  | joule per gram  | 6411      |
| D96  | pound gross   | 6411      |
| D97  | pallet/unit load  | 6411      |
| D98  | mass pound  | 6411      |
| D99  | sleeve  | 6411      |
| DAA  | decare  | 6411      |
| DAD  | ten day   | 6411      |
| DAY  | day   | 6411      |
| DB   | dry pound   | 6411      |
| DC   | disk (disc)   | 6411      |
| DD   | degree [unit of angle]  | 6411      |
| DE   | deal  | 6411      |
| DEC  | decade  | 6411      |
| DG   | decigram  | 6411      |
| DI   | dispenser   | 6411      |

## Applicable codes

| Code       | Name/description                      | Code list |
|------------|---------------------------------------|-----------|
| <b>DJ</b>  | decagram                              | 6411      |
| <b>DLT</b> | decilitre                             | 6411      |
| <b>DMA</b> | cubic decametre                       | 6411      |
| <b>DMK</b> | square decimetre                      | 6411      |
| <b>DMO</b> | standard kilolitre                    | 6411      |
| <b>DMQ</b> | cubic decimetre                       | 6411      |
| <b>DMT</b> | decimetre                             | 6411      |
| <b>DN</b>  | decinewton metre                      | 6411      |
| <b>DPC</b> | dozen piece                           | 6411      |
| <b>DPR</b> | dozen pair                            | 6411      |
| <b>DPT</b> | displacement tonnage                  | 6411      |
| <b>DQ</b>  | data record                           | 6411      |
| <b>DR</b>  | drum                                  | 6411      |
| <b>DRA</b> | dram (US)                             | 6411      |
| <b>DRI</b> | dram (UK)                             | 6411      |
| <b>DRL</b> | dozen roll                            | 6411      |
| <b>DRM</b> | drachm (UK)                           | 6411      |
| <b>DS</b>  | display                               | 6411      |
| <b>DT</b>  | dry ton                               | 6411      |
| <b>DTN</b> | decitonne                             | 6411      |
| <b>DU</b>  | dyne                                  | 6411      |
| <b>DWT</b> | pennyweight                           | 6411      |
| <b>DX</b>  | dyne per centimetre                   | 6411      |
| <b>DY</b>  | directory book                        | 6411      |
| <b>DZN</b> | dozen                                 | 6411      |
| <b>DZP</b> | dozen pack                            | 6411      |
| <b>E01</b> | newton per square centimetre          | 6411      |
| <b>E07</b> | megawatt hour per hour                | 6411      |
| <b>E08</b> | megawatt per hertz                    | 6411      |
| <b>E09</b> | milliampere hour                      | 6411      |
| <b>E10</b> | degree day                            | 6411      |
| <b>E11</b> | gigacalorie                           | 6411      |
| <b>E12</b> | mille                                 | 6411      |
| <b>E14</b> | kilocalorie (international table)     | 6411      |
| <b>E15</b> | kilocalorie (thermochemical) per hour | 6411      |
| <b>E16</b> | million Btu(IT) per hour              | 6411      |
| <b>E17</b> | cubic foot per second                 | 6411      |
| <b>E18</b> | tonne per hour                        | 6411      |
| <b>E19</b> | ping                                  | 6411      |
| <b>E2</b>  | belt                                  | 6411      |
| <b>E20</b> | megabit per second                    | 6411      |
| <b>E21</b> | shares                                | 6411      |
| <b>E22</b> | TEU                                   | 6411      |
| <b>E23</b> | tyre                                  | 6411      |
| <b>E25</b> | active unit                           | 6411      |
| <b>E27</b> | dose                                  | 6411      |
| <b>E28</b> | air dry ton                           | 6411      |
| <b>E3</b>  | trailer                               | 6411      |
| <b>E30</b> | strand                                | 6411      |
| <b>E31</b> | square metre per litre                | 6411      |

## Applicable codes

| Code | Name/description                           | Code list |
|------|--|-----------|
| E32  | litre per hour                             | 6411      |
| E33  | foot per thousand                          | 6411      |
| E34  | gigabyte                                   | 6411      |
| E35  | terabyte                                   | 6411      |
| E36  | petabyte                                   | 6411      |
| E37  | pixel                                      | 6411      |
| E38  | megapixel                                  | 6411      |
| E39  | dots per inch                              | 6411      |
| E4   | gross kilogram                             | 6411      |
| E40  | part per hundred thousand                  | 6411      |
| E41  | kilogram-force per square millimetre       | 6411      |
| E42  | kilogram-force per square centimetre       | 6411      |
| E43  | joule per square centimetre                | 6411      |
| E44  | kilogram-force metre per square centimetre | 6411      |
| E45  | milliohm                                   | 6411      |
| E46  | kilowatt hour per cubic metre              | 6411      |
| E47  | kilowatt hour per kelvin                   | 6411      |
| E48  | service unit                               | 6411      |
| E49  | working day                                | 6411      |
| E5   | metric long ton                            | 6411      |
| E50  | accounting unit                            | 6411      |
| E51  | job  | 6411      |
| E52  | run foot                                   | 6411      |
| E53  | test                                       | 6411      |
| E54  | trip                                       | 6411      |
| E55  | use  | 6411      |
| E56  | well                                       | 6411      |
| E57  | zone                                       | 6411      |
| E58  | exabit per second                          | 6411      |
| E59  | exbibyte                                   | 6411      |
| E60  | pebibyte                                   | 6411      |
| E61  | tebibyte                                   | 6411      |
| E62  | gibibyte                                   | 6411      |
| E63  | mebibyte                                   | 6411      |
| E64  | kibibyte                                   | 6411      |
| E65  | exbibit per metre                          | 6411      |
| E66  | exbibit per square metre                   | 6411      |
| E67  | exbibit per cubic metre                    | 6411      |
| E68  | gigabyte per second                        | 6411      |
| E69  | gibibit per metre                          | 6411      |
| E70  | gibibit per square metre                   | 6411      |
| E71  | gibibit per cubic metre                    | 6411      |
| E72  | kibibit per metre                          | 6411      |
| E73  | kibibit per square metre                   | 6411      |
| E74  | kibibit per cubic metre                    | 6411      |
| E75  | mebibit per metre                          | 6411      |
| E76  | mebibit per square metre                   | 6411      |
| E77  | mebibit per cubic metre                    | 6411      |
| E78  | petabit                                    | 6411      |
| E79  | petabit per second                         | 6411      |

## Applicable codes

| Code | Name/description                    | Code list |
|------|-------------------------------------|-----------|
| E80  | pebibit per metre                   | 6411      |
| E81  | pebibit per square metre            | 6411      |
| E82  | pebibit per cubic metre             | 6411      |
| E83  | terabit                             | 6411      |
| E84  | terabit per second                  | 6411      |
| E85  | tebibit per metre                   | 6411      |
| E86  | tebibit per cubic metre             | 6411      |
| E87  | tebibit per square metre            | 6411      |
| E88  | bit per metre                       | 6411      |
| E89  | bit per square metre                | 6411      |
| E90  | reciprocal centimetre               | 6411      |
| E91  | reciprocal day                      | 6411      |
| E92  | cubic decimetre per hour            | 6411      |
| E93  | kilogram per hour                   | 6411      |
| E94  | kilomole per second                 | 6411      |
| E95  | mole per second                     | 6411      |
| E96  | degree per second                   | 6411      |
| E97  | millimetre per degree Celcius metre | 6411      |
| E98  | degree Celsius per kelvin           | 6411      |
| E99  | hectopascal per bar                 | 6411      |
| EA   | each                                | 6411      |
| EB   | electronic mail box                 | 6411      |
| EC   | each per month                      | 6411      |
| EP   | eleven pack                         | 6411      |
| EQ   | equivalent gallon                   | 6411      |
| EV   | envelope                            | 6411      |
| F01  | bit per cubic metre                 | 6411      |
| F02  | kelvin per kelvin                   | 6411      |
| F03  | kilopascal per bar                  | 6411      |
| F04  | millibar per bar                    | 6411      |
| F05  | megapascal per bar                  | 6411      |
| F06  | poise per bar                       | 6411      |
| F07  | pascal per bar                      | 6411      |
| F08  | milliampere per inch                | 6411      |
| F1   | thousand cubic feet per day         | 6411      |
| F10  | kelvin per hour                     | 6411      |
| F11  | kelvin per minute                   | 6411      |
| F12  | kelvin per second                   | 6411      |
| F13  | slug                                | 6411      |
| F14  | gram per kelvin                     | 6411      |
| F15  | kilogram per kelvin                 | 6411      |
| F16  | milligram per kelvin                | 6411      |
| F17  | pound-force per foot                | 6411      |
| F18  | kilogram square centimetre          | 6411      |
| F19  | kilogram square millimetre          | 6411      |
| F20  | pound inch squared                  | 6411      |
| F21  | pound-force inch                    | 6411      |
| F22  | pound-force foot per ampere         | 6411      |
| F23  | gram per cubic decimetre            | 6411      |
| F24  | kilogram per kilomol                | 6411      |

## Applicable codes

| Code | Name/description                            | Code list |
|------|---|-----------|
| F25  | gram per hertz                              | 6411      |
| F26  | gram per day                                | 6411      |
| F27  | gram per hour                               | 6411      |
| F28  | gram per minute                             | 6411      |
| F29  | gram per second                             | 6411      |
| F30  | kilogram per day                            | 6411      |
| F31  | kilogram per minute                         | 6411      |
| F32  | milligram per day                           | 6411      |
| F33  | milligram per minute                        | 6411      |
| F34  | milligram per second                        | 6411      |
| F35  | gram per day kelvin                         | 6411      |
| F36  | gram per hour kelvin                        | 6411      |
| F37  | gram per minute kelvin                      | 6411      |
| F38  | gram per second kelvin                      | 6411      |
| F39  | kilogram per day kelvin                     | 6411      |
| F40  | kilogram per hour kelvin                    | 6411      |
| F41  | kilogram per minute kelvin                  | 6411      |
| F42  | kilogram per second kelvin                  | 6411      |
| F43  | milligram per day kelvin                    | 6411      |
| F44  | milligram per hour kelvin                   | 6411      |
| F45  | milligram per minute kelvin                 | 6411      |
| F46  | milligram per second kelvin                 | 6411      |
| F47  | newton per millimetre                       | 6411      |
| F48  | pound-force per inch                        | 6411      |
| F49  | rod [unit of distance]                      | 6411      |
| F50  | micrometre per kelvin                       | 6411      |
| F51  | centimetre per kelvin                       | 6411      |
| F52  | metre per kelvin                            | 6411      |
| F53  | millimetre per kelvin                       | 6411      |
| F54  | milliohm per metre                          | 6411      |
| F55  | ohm per mile (statute mile)                 | 6411      |
| F56  | ohm per kilometre                           | 6411      |
| F57  | milliampere per pound-force per square inch | 6411      |
| F58  | reciprocal bar                              | 6411      |
| F59  | milliampere per bar                         | 6411      |
| F60  | degree Celsius per bar                      | 6411      |
| F61  | kelvin per bar                              | 6411      |
| F62  | gram per day bar                            | 6411      |
| F63  | gram per hour bar                           | 6411      |
| F64  | gram per minute bar                         | 6411      |
| F65  | gram per second bar                         | 6411      |
| F66  | kilogram per day bar                        | 6411      |
| F67  | kilogram per hour bar                       | 6411      |
| F68  | kilogram per minute bar                     | 6411      |
| F69  | kilogram per second bar                     | 6411      |
| F70  | milligram per day bar                       | 6411      |
| F71  | milligram per hour bar                      | 6411      |
| F72  | milligram per minute bar                    | 6411      |
| F73  | milligram per second bar                    | 6411      |
| F74  | gram per bar                                | 6411      |

## Applicable codes

| Code       | Name/description                   | Code list |
|------------|------------------------------------|-----------|
| <b>F75</b> | milligram per bar                  | 6411      |
| <b>F76</b> | milliampere per millimetre         | 6411      |
| <b>F77</b> | pascal second per kelvin           | 6411      |
| <b>F78</b> | inch of water                      | 6411      |
| <b>F79</b> | inch of mercury                    | 6411      |
| <b>F80</b> | water horse power                  | 6411      |
| <b>F81</b> | bar per kelvin                     | 6411      |
| <b>F82</b> | hectopascal per kelvin             | 6411      |
| <b>F83</b> | kilopascal per kelvin              | 6411      |
| <b>F84</b> | millibar per kelvin                | 6411      |
| <b>F85</b> | megapascal per kelvin              | 6411      |
| <b>F86</b> | poise per kelvin                   | 6411      |
| <b>F87</b> | volt per litre minute              | 6411      |
| <b>F88</b> | newton centimetre                  | 6411      |
| <b>F89</b> | newton metre per degree            | 6411      |
| <b>F9</b>  | fibre per cubic centimetre of air  | 6411      |
| <b>F90</b> | newton metre per ampere            | 6411      |
| <b>F91</b> | bar litre per second               | 6411      |
| <b>F92</b> | bar cubic metre per second         | 6411      |
| <b>F93</b> | hectopascal litre per second       | 6411      |
| <b>F94</b> | hectopascal cubic metre per second | 6411      |
| <b>F95</b> | millibar litre per second          | 6411      |
| <b>F96</b> | millibar cubic metre per second    | 6411      |
| <b>F97</b> | megapascal litre per second        | 6411      |
| <b>F98</b> | megapascal cubic metre per second  | 6411      |
| <b>F99</b> | pascal litre per second            | 6411      |
| <b>FAH</b> | degree Fahrenheit                  | 6411      |
| <b>FAR</b> | farad                              | 6411      |
| <b>FB</b>  | field                              | 6411      |
| <b>FBM</b> | fibre metre                        | 6411      |
| <b>FC</b>  | thousand cubic foot                | 6411      |
| <b>FD</b>  | million particle per cubic foot    | 6411      |
| <b>FE</b>  | track foot                         | 6411      |
| <b>FF</b>  | hundred cubic metre                | 6411      |
| <b>FG</b>  | transdermal patch                  | 6411      |
| <b>FH</b>  | micromole                          | 6411      |
| <b>FIT</b> | failures in time                   | 6411      |
| <b>FL</b>  | flake ton                          | 6411      |
| <b>FM</b>  | million cubic feet                 | 6411      |
| <b>FOT</b> | foot                               | 6411      |
| <b>FP</b>  | pound per square foot              | 6411      |
| <b>FR</b>  | foot per minute                    | 6411      |
| <b>FS</b>  | foot per second                    | 6411      |
| <b>FTK</b> | square foot                        | 6411      |
| <b>FTQ</b> | cubic foot                         | 6411      |
| <b>G01</b> | pascal cubic metre per second      | 6411      |
| <b>G04</b> | centimetre per bar                 | 6411      |
| <b>G05</b> | metre per bar                      | 6411      |
| <b>G06</b> | millimetre per bar                 | 6411      |
| <b>G08</b> | square inch per second             | 6411      |

## Applicable codes

| Code | Name/description                     | Code list |
|------|--------------------------------------|-----------|
| G09  | square metre per second kelvin       | 6411      |
| G10  | stokes per kelvin                    | 6411      |
| G11  | gram per cubic centimetre bar        | 6411      |
| G12  | gram per cubic decimetre bar         | 6411      |
| G13  | gram per litre bar                   | 6411      |
| G14  | gram per cubic metre bar             | 6411      |
| G15  | gram per millilitre bar              | 6411      |
| G16  | kilogram per cubic centimetre bar    | 6411      |
| G17  | kilogram per litre bar               | 6411      |
| G18  | kilogram per cubic metre bar         | 6411      |
| G19  | newton metre per kilogram            | 6411      |
| G2   | US gallon per minute                 | 6411      |
| G20  | pound-force foot per pound           | 6411      |
| G21  | cup [unit of volume]                 | 6411      |
| G23  | peck                                 | 6411      |
| G24  | tablespoon (US)                      | 6411      |
| G25  | teaspoon (US)                        | 6411      |
| G26  | stere                                | 6411      |
| G27  | cubic centimetre per kelvin          | 6411      |
| G28  | litre per kelvin                     | 6411      |
| G29  | cubic metre per kelvin               | 6411      |
| G3   | Imperial gallon per minute           | 6411      |
| G30  | millilitre per kelvin                | 6411      |
| G31  | kilogram per cubic centimetre        | 6411      |
| G32  | ounce (avoirdupois) per cubic yard   | 6411      |
| G33  | gram per cubic centimetre kelvin     | 6411      |
| G34  | gram per cubic decimetre kelvin      | 6411      |
| G35  | gram per litre kelvin                | 6411      |
| G36  | gram per cubic metre kelvin          | 6411      |
| G37  | gram per millilitre kelvin           | 6411      |
| G38  | kilogram per cubic centimetre kelvin | 6411      |
| G39  | kilogram per litre kelvin            | 6411      |
| G40  | kilogram per cubic metre kelvin      | 6411      |
| G41  | square metre per second bar          | 6411      |
| G42  | microsiemens per centimetre          | 6411      |
| G43  | microsiemens per metre               | 6411      |
| G44  | nanosiemens per centimetre           | 6411      |
| G45  | nanosiemens per metre                | 6411      |
| G46  | stokes per bar                       | 6411      |
| G47  | cubic centimetre per day             | 6411      |
| G48  | cubic centimetre per hour            | 6411      |
| G49  | cubic centimetre per minute          | 6411      |
| G50  | gallon (US) per hour                 | 6411      |
| G51  | litre per second                     | 6411      |
| G52  | cubic metre per day                  | 6411      |
| G53  | cubic metre per minute               | 6411      |
| G54  | millilitre per day                   | 6411      |
| G55  | millilitre per hour                  | 6411      |
| G56  | cubic inch per hour                  | 6411      |
| G57  | cubic inch per minute                | 6411      |



## Applicable codes

| Code       | Name/description                          | Code list |
|------------|---|-----------|
| <b>G58</b> | cubic inch per second                     | 6411      |
| <b>G59</b> | milliampere per litre minute              | 6411      |
| <b>G60</b> | volt per bar                              | 6411      |
| <b>G61</b> | cubic centimetre per day kelvin           | 6411      |
| <b>G62</b> | cubic centimetre per hour kelvin          | 6411      |
| <b>G63</b> | cubic centimetre per minute kelvin        | 6411      |
| <b>G64</b> | cubic centimetre per second kelvin        | 6411      |
| <b>G65</b> | litre per day kelvin                      | 6411      |
| <b>G66</b> | litre per hour kelvin                     | 6411      |
| <b>G67</b> | litre per minute kelvin                   | 6411      |
| <b>G68</b> | litre per second kelvin                   | 6411      |
| <b>G69</b> | cubic metre per day kelvin                | 6411      |
| <b>G7</b>  | microfiche sheet                          | 6411      |
| <b>G70</b> | cubic metre per hour kelvin               | 6411      |
| <b>G71</b> | cubic metre per minute kelvin             | 6411      |
| <b>G72</b> | cubic metre per second kelvin             | 6411      |
| <b>G73</b> | millilitre per day kelvin                 | 6411      |
| <b>G74</b> | millilitre per hour kelvin                | 6411      |
| <b>G75</b> | millilitre per minute kelvin              | 6411      |
| <b>G76</b> | millilitre per second kelvin              | 6411      |
| <b>G77</b> | millimetre to the fourth power            | 6411      |
| <b>G78</b> | cubic centimetre per day bar              | 6411      |
| <b>G79</b> | cubic centimetre per hour bar             | 6411      |
| <b>G80</b> | cubic centimetre per minute bar           | 6411      |
| <b>G81</b> | cubic centimetre per second bar           | 6411      |
| <b>G82</b> | litre per day bar                         | 6411      |
| <b>G83</b> | litre per hour bar                        | 6411      |
| <b>G84</b> | litre per minute bar                      | 6411      |
| <b>G85</b> | litre per second bar                      | 6411      |
| <b>G86</b> | cubic metre per day bar                   | 6411      |
| <b>G87</b> | cubic metre per hour bar                  | 6411      |
| <b>G88</b> | cubic metre per minute bar                | 6411      |
| <b>G89</b> | cubic metre per second bar                | 6411      |
| <b>G90</b> | millilitre per day bar                    | 6411      |
| <b>G91</b> | millilitre per hour bar                   | 6411      |
| <b>G92</b> | millilitre per minute bar                 | 6411      |
| <b>G93</b> | millilitre per second bar                 | 6411      |
| <b>G94</b> | cubic centimetre per bar                  | 6411      |
| <b>G95</b> | litre per bar                             | 6411      |
| <b>G96</b> | cubic metre per bar                       | 6411      |
| <b>G97</b> | millilitre per bar                        | 6411      |
| <b>G98</b> | microhenry per kilohm                     | 6411      |
| <b>G99</b> | microhenry per ohm                        | 6411      |
| <b>GB</b>  | gallon (US) per day                       | 6411      |
| <b>GBQ</b> | gigabecquerel                             | 6411      |
| <b>GC</b>  | gram per 100 gram                         | 6411      |
| <b>GD</b>  | gross barrel                              | 6411      |
| <b>GDW</b> | gram, dry weight                          | 6411      |
| <b>GE</b>  | pound per gallon (US)                     | 6411      |
| <b>GF</b>  | gram per metre (gram per 100 centimetres) | 6411      |

## Applicable codes

| Code       | Name/description                 | Code list |
|------------|----------------------------------|-----------|
| <b>GFI</b> | gram of fissile isotope          | 6411      |
| <b>GGR</b> | great gross                      | 6411      |
| <b>GH</b>  | half gallon (US)                 | 6411      |
| <b>GIA</b> | gill (US)                        | 6411      |
| <b>GIC</b> | gram, including container        | 6411      |
| <b>GII</b> | gill (UK)                        | 6411      |
| <b>GIP</b> | gram, including inner packaging  | 6411      |
| <b>GJ</b>  | gram per millilitre              | 6411      |
| <b>GK</b>  | gram per kilogram                | 6411      |
| <b>GL</b>  | gram per litre                   | 6411      |
| <b>GLD</b> | dry gallon (US)                  | 6411      |
| <b>GLI</b> | gallon (UK)                      | 6411      |
| <b>GLL</b> | gallon (US)                      | 6411      |
| <b>GM</b>  | gram per square metre            | 6411      |
| <b>GN</b>  | gross gallon                     | 6411      |
| <b>GO</b>  | milligram per square metre       | 6411      |
| <b>GP</b>  | milligram per cubic metre        | 6411      |
| <b>GQ</b>  | microgram per cubic metre        | 6411      |
| <b>GRM</b> | gram                             | 6411      |
| <b>GRN</b> | grain                            | 6411      |
| <b>GRO</b> | gross                            | 6411      |
| <b>GRT</b> | gross register ton               | 6411      |
| <b>GT</b>  | gross ton                        | 6411      |
| <b>GV</b>  | gigajoule                        | 6411      |
| <b>GW</b>  | gallon per thousand cubic feet   | 6411      |
| <b>GWH</b> | gigawatt hour                    | 6411      |
| <b>GY</b>  | gross yard                       | 6411      |
| <b>GZ</b>  | gage system                      | 6411      |
| <b>H03</b> | henry per kiloohm                | 6411      |
| <b>H04</b> | henry per ohm                    | 6411      |
| <b>H05</b> | millihenry per kiloohm           | 6411      |
| <b>H06</b> | millihenry per ohm               | 6411      |
| <b>H07</b> | pascal second per bar            | 6411      |
| <b>H08</b> | microbecquerel                   | 6411      |
| <b>H09</b> | reciprocal year                  | 6411      |
| <b>H1</b>  | half page – electronic           | 6411      |
| <b>H10</b> | reciprocal hour                  | 6411      |
| <b>H11</b> | reciprocal month                 | 6411      |
| <b>H12</b> | degree Celsius per hour          | 6411      |
| <b>H13</b> | degree Celsius per minute        | 6411      |
| <b>H14</b> | degree Celsius per second        | 6411      |
| <b>H15</b> | square centimetre per gram       | 6411      |
| <b>H16</b> | square decametre                 | 6411      |
| <b>H18</b> | square hectometre                | 6411      |
| <b>H19</b> | cubic hectometre                 | 6411      |
| <b>H2</b>  | half litre                       | 6411      |
| <b>H20</b> | cubic kilometre                  | 6411      |
| <b>H21</b> | blank                            | 6411      |
| <b>H22</b> | volt square inch per pound-force | 6411      |
| <b>H23</b> | volt per inch                    | 6411      |

## Applicable codes

| Code | Name/description                         | Code list |
|------|--|-----------|
| H24  | volt per microsecond                     | 6411      |
| H25  | percent per kelvin                       | 6411      |
| H26  | ohm per metre                            | 6411      |
| H27  | degree per metre                         | 6411      |
| H28  | microfarad per kilometre                 | 6411      |
| H29  | microgram per litre                      | 6411      |
| H30  | square micrometre (square micron)        | 6411      |
| H31  | ampere per kilogram                      | 6411      |
| H32  | ampere squared second                    | 6411      |
| H33  | farad per kilometre                      | 6411      |
| H34  | hertz metre                              | 6411      |
| H35  | kelvin metre per watt                    | 6411      |
| H36  | megaohm per kilometre                    | 6411      |
| H37  | megaohm per metre                        | 6411      |
| H38  | megaampere                               | 6411      |
| H39  | megahertz kilometre                      | 6411      |
| H40  | newton per ampere                        | 6411      |
| H41  | newton metre watt to the power minus 0,5 | 6411      |
| H42  | pascal per metre                         | 6411      |
| H43  | siemens per centimetre                   | 6411      |
| H44  | teraohm                                  | 6411      |
| H45  | volt second per metre                    | 6411      |
| H46  | volt per second                          | 6411      |
| H47  | watt per cubic metre                     | 6411      |
| H48  | attofarad                                | 6411      |
| H49  | centimetre per hour                      | 6411      |
| H50  | reciprocal cubic centimetre              | 6411      |
| H51  | decibel per kilometre                    | 6411      |
| H52  | decibel per metre                        | 6411      |
| H53  | kilogram per bar                         | 6411      |
| H54  | kilogram per cubic decimetre kelvin      | 6411      |
| H55  | kilogram per cubic decimetre bar         | 6411      |
| H56  | kilogram per square metre second         | 6411      |
| H57  | inch per two pi radiant                  | 6411      |
| H58  | metre per volt second                    | 6411      |
| H59  | square metre per newton                  | 6411      |
| H60  | cubic metre per cubic metre              | 6411      |
| H61  | millisiemens per centimetre              | 6411      |
| H62  | millivolt per minute                     | 6411      |
| H63  | milligram per square centimetre          | 6411      |
| H64  | milligram per gram                       | 6411      |
| H65  | millilitre per cubic metre               | 6411      |
| H66  | millimetre per year                      | 6411      |
| H67  | millimetre per hour                      | 6411      |
| H68  | millimole per gram                       | 6411      |
| H69  | picopascal per kilometre                 | 6411      |
| H70  | picosecond                               | 6411      |
| H71  | percent per month                        | 6411      |
| H72  | percent per hectobar                     | 6411      |
| H73  | percent per decakelvin                   | 6411      |

## Applicable codes

| Code | Name/description                   | Code list |
|------|------------------------------------|-----------|
| H74  | watt per metre                     | 6411      |
| H75  | decapascal                         | 6411      |
| H76  | gram per millimetre                | 6411      |
| H77  | module width                       | 6411      |
| H78  | conventional centimetre of water   | 6411      |
| H79  | Charrière                          | 6411      |
| H80  | rack unit                          | 6411      |
| H81  | millimetre per minute              | 6411      |
| H82  | big point                          | 6411      |
| H83  | litre per kilogram                 | 6411      |
| H84  | gram millimetre                    | 6411      |
| H85  | reciprocal week                    | 6411      |
| H87  | piece                              | 6411      |
| H88  | megaohm kilometre                  | 6411      |
| H89  | percent per ohm                    | 6411      |
| H90  | percent per degree                 | 6411      |
| H91  | percent per ten thousand           | 6411      |
| H92  | percent per one hundred thousand   | 6411      |
| H93  | percent per hundred                | 6411      |
| H94  | percent per thousand               | 6411      |
| H95  | percent per volt                   | 6411      |
| H96  | percent per bar                    | 6411      |
| H98  | percent per inch                   | 6411      |
| H99  | percent per metre                  | 6411      |
| HA   | hank                               | 6411      |
| HAR  | hectare                            | 6411      |
| HBA  | hectobar                           | 6411      |
| HBX  | hundred boxes                      | 6411      |
| HC   | hundred count                      | 6411      |
| HD   | half dozen                         | 6411      |
| HDW  | hundred kilogram, dry weight       | 6411      |
| HE   | hundredth of a carat               | 6411      |
| HEA  | head                               | 6411      |
| HF   | hundred feet                       | 6411      |
| HGM  | hectogram                          | 6411      |
| HH   | hundred cubic foot                 | 6411      |
| HI   | hundred sheet                      | 6411      |
| HIU  | hundred international unit         | 6411      |
| HJ   | metric horse power                 | 6411      |
| HK   | hundred kilogram                   | 6411      |
| HKM  | hundred kilogram, net mass         | 6411      |
| HL   | hundred feet (linear)              | 6411      |
| HLT  | hectolitre                         | 6411      |
| HM   | mile per hour (statute mile)       | 6411      |
| HMQ  | million cubic metre                | 6411      |
| HMT  | hectometre                         | 6411      |
| HN   | conventional millimetre of mercury | 6411      |
| HO   | hundred troy ounce                 | 6411      |
| HP   | conventional millimetre of water   | 6411      |
| HPA  | hectolitre of pure alcohol         | 6411      |

## Applicable codes

| Code       | Name/description   | Code list |
|------------|--|-----------|
| <b>HS</b>  | hundred square feet  | 6411      |
| <b>HT</b>  | half hour  | 6411      |
| <b>HTZ</b> | hertz  | 6411      |
| <b>HUR</b> | hour   | 6411      |
| <b>HY</b>  | hundred yard   | 6411      |
| <b>IA</b>  | inch pound (pound inch)  | 6411      |
| <b>IC</b>  | count per inch   | 6411      |
| <b>IE</b>  | person   | 6411      |
| <b>IF</b>  | inches of water  | 6411      |
| <b>II</b>  | column inch  | 6411      |
| <b>IL</b>  | inch per minute  | 6411      |
| <b>IM</b>  | impression   | 6411      |
| <b>INH</b> | inch   | 6411      |
| <b>INK</b> | square inch  | 6411      |
| <b>INQ</b> | cubic inch   | 6411      |
| <b>IP</b>  | insurance policy   | 6411      |
| <b>ISD</b> | international sugar degree   | 6411      |
| <b>IT</b>  | count per centimetre   | 6411      |
| <b>IU</b>  | inch per second  | 6411      |
| <b>IV</b>  | inch per second squared  | 6411      |
| <b>J10</b> | percent per millimetre   | 6411      |
| <b>J12</b> | per mille per psi  | 6411      |
| <b>J13</b> | degree API   | 6411      |
| <b>J14</b> | degree Baume (origin scale)  | 6411      |
| <b>J15</b> | degree Baume (US heavy)  | 6411      |
| <b>J16</b> | degree Baume (US light)  | 6411      |
| <b>J17</b> | degree Balling   | 6411      |
| <b>J18</b> | degree Brix  | 6411      |
| <b>J19</b> | degree Fahrenheit hour square foot per British thermal unit (thermochemical)           | 6411      |
| <b>J2</b>  | joule per kilogram   | 6411      |
| <b>J20</b> | degree Fahrenheit per kelvin   | 6411      |
| <b>J21</b> | degree Fahrenheit per bar  | 6411      |
| <b>J22</b> | degree Fahrenheit hour square foot per British thermal unit (international table)      | 6411      |
| <b>J23</b> | degree Fahrenheit per hour   | 6411      |
| <b>J24</b> | degree Fahrenheit per minute   | 6411      |
| <b>J25</b> | degree Fahrenheit per second   | 6411      |
| <b>J26</b> | reciprocal degree Fahrenheit   | 6411      |
| <b>J27</b> | degree Oechsle   | 6411      |
| <b>J28</b> | degree Rankine per hour  | 6411      |
| <b>J29</b> | degree Rankine per minute  | 6411      |
| <b>J30</b> | degree Rankine per second  | 6411      |
| <b>J31</b> | degree Twaddell  | 6411      |
| <b>J32</b> | micropoise   | 6411      |
| <b>J33</b> | microgram per kilogram   | 6411      |
| <b>J34</b> | microgram per cubic metre kelvin   | 6411      |
| <b>J35</b> | microgram per cubic metre bar  | 6411      |
| <b>J36</b> | microlitre per litre   | 6411      |
| <b>J38</b> | baud   | 6411      |
| <b>J39</b> | British thermal unit (mean)  | 6411      |
| <b>J40</b> | British thermal unit (international table) foot per hour square foot degree Fahrenheit | 6411      |

## Applicable codes

| Code | Name/description   | Code list |
|------|--|-----------|
| J41  | British thermal unit (international table) inch per hour square foot degree Fahrenheit   | 6411      |
| J42  | British thermal unit (international table) inch per second square foot degree Fahrenheit | 6411      |
| J43  | British thermal unit (international table) per pound degree Fahrenheit                   | 6411      |
| J44  | British thermal unit (international table) per minute                                    | 6411      |
| J45  | British thermal unit (international table) per second                                    | 6411      |
| J46  | British thermal unit (thermochemical) foot per hour square foot degree Fahrenheit        | 6411      |
| J47  | British thermal unit (thermochemical) per hour   | 6411      |
| J48  | British thermal unit (thermochemical) inch per hour square foot degree Fahrenheit        | 6411      |
| J49  | British thermal unit (thermochemical) inch per second square foot degree Fahrenheit      | 6411      |
| J50  | British thermal unit (thermochemical) per pound degree Fahrenheit                        | 6411      |
| J51  | British thermal unit (thermochemical) per minute   | 6411      |
| J52  | British thermal unit (thermochemical) per second   | 6411      |
| J53  | coulomb square metre per kilogram  | 6411      |
| J54  | megabaud   | 6411      |
| J55  | watt second  | 6411      |
| J56  | bar per bar  | 6411      |
| J57  | barrel (UK petroleum)  | 6411      |
| J58  | barrel (UK petroleum) per minute   | 6411      |
| J59  | barrel (UK petroleum) per day  | 6411      |
| J60  | barrel (UK petroleum) per hour   | 6411      |
| J61  | barrel (UK petroleum) per second   | 6411      |
| J62  | barrel (US petroleum) per hour   | 6411      |
| J63  | barrel (US petroleum) per second   | 6411      |
| J64  | bushel (UK) per day  | 6411      |
| J65  | bushel (UK) per hour   | 6411      |
| J66  | bushel (UK) per minute   | 6411      |
| J67  | bushel (UK) per second   | 6411      |
| J68  | bushel (US dry) per day  | 6411      |
| J69  | bushel (US dry) per hour   | 6411      |
| J70  | bushel (US dry) per minute   | 6411      |
| J71  | bushel (US dry) per second   | 6411      |
| J72  | centinewton metre  | 6411      |
| J73  | centipoise per kelvin  | 6411      |
| J74  | centipoise per bar   | 6411      |
| J75  | calorie (mean)   | 6411      |
| J76  | calorie (international table) per gram degree Celsius                                    | 6411      |
| J78  | calorie (thermochemical) per centimetre second degree Celsius                            | 6411      |
| J79  | calorie (thermochemical) per gram degree Celsius   | 6411      |
| J81  | calorie (thermochemical) per minute  | 6411      |
| J82  | calorie (thermochemical) per second  | 6411      |
| J83  | clo  | 6411      |
| J84  | centimetre per second kelvin   | 6411      |
| J85  | centimetre per second bar  | 6411      |
| J87  | cubic centimetre per cubic metre   | 6411      |
| J89  | centimetre of mercury  | 6411      |
| J90  | cubic decimetre per day  | 6411      |
| J91  | cubic decimetre per cubic metre  | 6411      |
| J92  | cubic decimetre per minute   | 6411      |
| J93  | cubic decimetre per second   | 6411      |
| J94  | dyne centimetre  | 6411      |

## Applicable codes

| Code       | Name/description                   | Code list |
|------------|------------------------------------|-----------|
| <b>J95</b> | ounce (UK fluid) per day           | 6411      |
| <b>J96</b> | ounce (UK fluid) per hour          | 6411      |
| <b>J97</b> | ounce (UK fluid) per minute        | 6411      |
| <b>J98</b> | ounce (UK fluid) per second        | 6411      |
| <b>J99</b> | ounce (US fluid) per day           | 6411      |
| <b>JB</b>  | jumbo                              | 6411      |
| <b>JE</b>  | joule per kelvin                   | 6411      |
| <b>JG</b>  | jug                                | 6411      |
| <b>JK</b>  | megajoule per kilogram             | 6411      |
| <b>JM</b>  | megajoule per cubic metre          | 6411      |
| <b>JNT</b> | pipeline joint                     | 6411      |
| <b>JO</b>  | joint                              | 6411      |
| <b>JOU</b> | joule                              | 6411      |
| <b>JPS</b> | hundred metre                      | 6411      |
| <b>JR</b>  | jar                                | 6411      |
| <b>JWL</b> | number of jewels                   | 6411      |
| <b>K1</b>  | kilowatt demand                    | 6411      |
| <b>K10</b> | ounce (US fluid) per hour          | 6411      |
| <b>K11</b> | ounce (US fluid) per minute        | 6411      |
| <b>K12</b> | ounce (US fluid) per second        | 6411      |
| <b>K13</b> | foot per degree Fahrenheit         | 6411      |
| <b>K14</b> | foot per hour                      | 6411      |
| <b>K15</b> | foot pound-force per hour          | 6411      |
| <b>K16</b> | foot pound-force per minute        | 6411      |
| <b>K17</b> | foot per psi                       | 6411      |
| <b>K18</b> | foot per second degree Fahrenheit  | 6411      |
| <b>K19</b> | foot per second psi                | 6411      |
| <b>K2</b>  | kilovolt ampere reactive demand    | 6411      |
| <b>K20</b> | reciprocal cubic foot              | 6411      |
| <b>K21</b> | cubic foot per degree Fahrenheit   | 6411      |
| <b>K22</b> | cubic foot per day                 | 6411      |
| <b>K23</b> | cubic foot per psi                 | 6411      |
| <b>K24</b> | foot of water                      | 6411      |
| <b>K25</b> | foot of mercury                    | 6411      |
| <b>K26</b> | gallon (UK) per day                | 6411      |
| <b>K27</b> | gallon (UK) per hour               | 6411      |
| <b>K28</b> | gallon (UK) per second             | 6411      |
| <b>K3</b>  | kilovolt ampere reactive hour      | 6411      |
| <b>K30</b> | gallon (US liquid) per second      | 6411      |
| <b>K31</b> | gram-force per square centimetre   | 6411      |
| <b>K32</b> | gill (UK) per day                  | 6411      |
| <b>K33</b> | gill (UK) per hour                 | 6411      |
| <b>K34</b> | gill (UK) per minute               | 6411      |
| <b>K35</b> | gill (UK) per second               | 6411      |
| <b>K36</b> | gill (US) per day                  | 6411      |
| <b>K37</b> | gill (US) per hour                 | 6411      |
| <b>K38</b> | gill (US) per minute               | 6411      |
| <b>K39</b> | gill (US) per second               | 6411      |
| <b>K40</b> | standard acceleration of free fall | 6411      |
| <b>K41</b> | grain per gallon (US)              | 6411      |

## Applicable codes

| Code | Name/description  | Code list |
|------|---|-----------|
| K42  | horsepower (boiler)   | 6411      |
| K43  | horsepower (electric)   | 6411      |
| K45  | inch per degree Fahrenheit                                      | 6411      |
| K46  | inch per psi  | 6411      |
| K47  | inch per second degree Fahrenheit                               | 6411      |
| K48  | inch per second psi   | 6411      |
| K49  | reciprocal cubic inch   | 6411      |
| K5   | kilovolt ampere (reactive)                                      | 6411      |
| K50  | kilobaud  | 6411      |
| K51  | kilocalorie (mean)  | 6411      |
| K52  | kilocalorie (international table) per hour metre degree Celsius | 6411      |
| K53  | kilocalorie (thermochemical)                                    | 6411      |
| K54  | kilocalorie (thermochemical) per minute                         | 6411      |
| K55  | kilocalorie (thermochemical) per second                         | 6411      |
| K58  | kilomole per hour   | 6411      |
| K59  | kilomole per cubic metre kelvin                                 | 6411      |
| K6   | kilolitre   | 6411      |
| K60  | kilomole per cubic metre bar                                    | 6411      |
| K61  | kilomole per minute   | 6411      |
| K62  | litre per litre   | 6411      |
| K63  | reciprocal litre  | 6411      |
| K64  | pound (avoirdupois) per degree Fahrenheit                       | 6411      |
| K65  | pound (avoirdupois) square foot                                 | 6411      |
| K66  | pound (avoirdupois) per day                                     | 6411      |
| K67  | pound per foot hour   | 6411      |
| K68  | pound per foot second   | 6411      |
| K69  | pound (avoirdupois) per cubic foot degree Fahrenheit            | 6411      |
| K70  | pound (avoirdupois) per cubic foot psi                          | 6411      |
| K71  | pound (avoirdupois) per gallon (UK)                             | 6411      |
| K73  | pound (avoirdupois) per hour degree Fahrenheit                  | 6411      |
| K74  | pound (avoirdupois) per hour psi                                | 6411      |
| K75  | pound (avoirdupois) per cubic inch degree Fahrenheit            | 6411      |
| K76  | pound (avoirdupois) per cubic inch psi                          | 6411      |
| K77  | pound (avoirdupois) per psi                                     | 6411      |
| K78  | pound (avoirdupois) per minute                                  | 6411      |
| K79  | pound (avoirdupois) per minute degree Fahrenheit                | 6411      |
| K80  | pound (avoirdupois) per minute psi                              | 6411      |
| K81  | pound (avoirdupois) per second                                  | 6411      |
| K82  | pound (avoirdupois) per second degree Fahrenheit                | 6411      |
| K83  | pound (avoirdupois) per second psi                              | 6411      |
| K84  | pound per cubic yard  | 6411      |
| K85  | pound-force per square foot                                     | 6411      |
| K86  | pound-force per square inch degree Fahrenheit                   | 6411      |
| K87  | psi cubic inch per second                                       | 6411      |
| K88  | psi litre per second  | 6411      |
| K89  | psi cubic metre per second                                      | 6411      |
| K90  | psi cubic yard per second                                       | 6411      |
| K91  | pound-force second per square foot                              | 6411      |
| K92  | pound-force second per square inch                              | 6411      |
| K93  | reciprocal psi  | 6411      |



## Applicable codes

| Code       | Name/description  | Code list |
|------------|---|-----------|
| <b>K94</b> | quart (UK liquid) per day                               | 6411      |
| <b>K95</b> | quart (UK liquid) per hour                              | 6411      |
| <b>K96</b> | quart (UK liquid) per minute                            | 6411      |
| <b>K97</b> | quart (UK liquid) per second                            | 6411      |
| <b>K98</b> | quart (US liquid) per day                               | 6411      |
| <b>K99</b> | quart (US liquid) per hour                              | 6411      |
| <b>KA</b>  | cake  | 6411      |
| <b>KAT</b> | katal   | 6411      |
| <b>KB</b>  | kilocharacter   | 6411      |
| <b>KBA</b> | kilobar   | 6411      |
| <b>KCC</b> | kilogram of choline chloride                            | 6411      |
| <b>KD</b>  | kilogram decimal  | 6411      |
| <b>KDW</b> | kilogram drained net weight                             | 6411      |
| <b>KEL</b> | kelvin  | 6411      |
| <b>KF</b>  | kilopacket  | 6411      |
| <b>KG</b>  | keg   | 6411      |
| <b>KGM</b> | kilogram  | 6411      |
| <b>KGS</b> | kilogram per second                                     | 6411      |
| <b>KHY</b> | kilogram of hydrogen peroxide                           | 6411      |
| <b>KHZ</b> | kilohertz   | 6411      |
| <b>KI</b>  | kilogram per millimetre width                           | 6411      |
| <b>KIC</b> | kilogram, including container                           | 6411      |
| <b>KIP</b> | kilogram, including inner packaging                     | 6411      |
| <b>KJ</b>  | kilosegment   | 6411      |
| <b>KJO</b> | kilojoule   | 6411      |
| <b>KL</b>  | kilogram per metre                                      | 6411      |
| <b>KLK</b> | lactic dry material percentage                          | 6411      |
| <b>KLX</b> | kilolux   | 6411      |
| <b>KMA</b> | kilogram of methylamine                                 | 6411      |
| <b>KMH</b> | kilometre per hour                                      | 6411      |
| <b>KMK</b> | square kilometre  | 6411      |
| <b>KMQ</b> | kilogram per cubic metre                                | 6411      |
| <b>KMT</b> | kilometre   | 6411      |
| <b>KNI</b> | kilogram of nitrogen                                    | 6411      |
| <b>KNM</b> | kilonewton per square metre                             | 6411      |
| <b>KNS</b> | kilogram named substance                                | 6411      |
| <b>KNT</b> | knot  | 6411      |
| <b>KO</b>  | milliequivalence caustic potash per gram of product     | 6411      |
| <b>KPA</b> | kilopascal  | 6411      |
| <b>KPH</b> | kilogram of potassium hydroxide (caustic potash)        | 6411      |
| <b>KPO</b> | kilogram of potassium oxide                             | 6411      |
| <b>KPP</b> | kilogram of phosphorus pentoxide (phosphoric anhydride) | 6411      |
| <b>KR</b>  | kiloroentgen  | 6411      |
| <b>KS</b>  | thousand pound per square inch                          | 6411      |
| <b>KSD</b> | kilogram of substance 90 % dry                          | 6411      |
| <b>KSH</b> | kilogram of sodium hydroxide (caustic soda)             | 6411      |
| <b>KT</b>  | kit   | 6411      |
| <b>KTM</b> | kilometre   | 6411      |
| <b>KTN</b> | kilotonne   | 6411      |
| <b>KUR</b> | kilogram of uranium                                     | 6411      |

## Applicable codes

| Code       | Name/description   | Code list |
|------------|--|-----------|
| <b>KVA</b> | kilovolt - ampere  | 6411      |
| <b>KVR</b> | kilovar  | 6411      |
| <b>KVT</b> | kilovolt   | 6411      |
| <b>KW</b>  | kilogram per millimetre  | 6411      |
| <b>KWH</b> | kilowatt hour  | 6411      |
| <b>KWN</b> | Kilowatt hour per normalized cubic metre                               | 6411      |
| <b>KWO</b> | kilogram of tungsten trioxide  | 6411      |
| <b>KWS</b> | Kilowatt hour per standard cubic metre                                 | 6411      |
| <b>KWT</b> | kilowatt   | 6411      |
| <b>KX</b>  | millilitre per kilogram  | 6411      |
| <b>L10</b> | quart (US liquid) per minute   | 6411      |
| <b>L11</b> | quart (US liquid) per second   | 6411      |
| <b>L12</b> | metre per second kelvin  | 6411      |
| <b>L13</b> | metre per second bar   | 6411      |
| <b>L14</b> | square metre hour degree Celsius per kilocalorie (international table) | 6411      |
| <b>L15</b> | millipascal second per kelvin  | 6411      |
| <b>L16</b> | millipascal second per bar   | 6411      |
| <b>L17</b> | milligram per cubic metre kelvin                                       | 6411      |
| <b>L18</b> | milligram per cubic metre bar  | 6411      |
| <b>L19</b> | millilitre per litre   | 6411      |
| <b>L2</b>  | litre per minute   | 6411      |
| <b>L20</b> | reciprocal cubic millimetre  | 6411      |
| <b>L21</b> | cubic millimetre per cubic metre                                       | 6411      |
| <b>L23</b> | mole per hour  | 6411      |
| <b>L24</b> | mole per kilogram kelvin   | 6411      |
| <b>L25</b> | mole per kilogram bar  | 6411      |
| <b>L26</b> | mole per litre kelvin  | 6411      |
| <b>L27</b> | mole per litre bar   | 6411      |
| <b>L28</b> | mole per cubic metre kelvin  | 6411      |
| <b>L29</b> | mole per cubic metre bar   | 6411      |
| <b>L30</b> | mole per minute  | 6411      |
| <b>L31</b> | milliroentgen aequivalent men  | 6411      |
| <b>L32</b> | nanogram per kilogram  | 6411      |
| <b>L33</b> | ounce (avoirdupois) per day  | 6411      |
| <b>L34</b> | ounce (avoirdupois) per hour   | 6411      |
| <b>L35</b> | ounce (avoirdupois) per minute   | 6411      |
| <b>L36</b> | ounce (avoirdupois) per second   | 6411      |
| <b>L37</b> | ounce (avoirdupois) per gallon (UK)                                    | 6411      |
| <b>L38</b> | ounce (avoirdupois) per gallon (US)                                    | 6411      |
| <b>L39</b> | ounce (avoirdupois) per cubic inch                                     | 6411      |
| <b>L40</b> | ounce (avoirdupois)-force  | 6411      |
| <b>L41</b> | ounce (avoirdupois)-force inch   | 6411      |
| <b>L42</b> | picosiemens per metre  | 6411      |
| <b>L43</b> | peck (UK)  | 6411      |
| <b>L44</b> | peck (UK) per day  | 6411      |
| <b>L45</b> | peck (UK) per hour   | 6411      |
| <b>L46</b> | peck (UK) per minute   | 6411      |
| <b>L47</b> | peck (UK) per second   | 6411      |
| <b>L48</b> | peck (US dry) per day  | 6411      |
| <b>L49</b> | peck (US dry) per hour   | 6411      |

## Applicable codes

| Code | Name/description                     | Code list |
|------|--------------------------------------|-----------|
| L50  | peck (US dry) per minute             | 6411      |
| L51  | peck (US dry) per second             | 6411      |
| L52  | psi per psi                          | 6411      |
| L53  | pint (UK) per day                    | 6411      |
| L54  | pint (UK) per hour                   | 6411      |
| L55  | pint (UK) per minute                 | 6411      |
| L56  | pint (UK) per second                 | 6411      |
| L57  | pint (US liquid) per day             | 6411      |
| L58  | pint (US liquid) per hour            | 6411      |
| L59  | pint (US liquid) per minute          | 6411      |
| L60  | pint (US liquid) per second          | 6411      |
| L61  | pint (US dry)                        | 6411      |
| L62  | quart (US dry)                       | 6411      |
| L63  | slug per day                         | 6411      |
| L64  | slug per foot second                 | 6411      |
| L65  | slug per cubic foot                  | 6411      |
| L66  | slug per hour                        | 6411      |
| L67  | slug per minute                      | 6411      |
| L68  | slug per second                      | 6411      |
| L69  | tonne per kelvin                     | 6411      |
| L70  | tonne per bar                        | 6411      |
| L71  | tonne per day                        | 6411      |
| L72  | tonne per day kelvin                 | 6411      |
| L73  | tonne per day bar                    | 6411      |
| L74  | tonne per hour kelvin                | 6411      |
| L75  | tonne per hour bar                   | 6411      |
| L76  | tonne per cubic metre kelvin         | 6411      |
| L77  | tonne per cubic metre bar            | 6411      |
| L78  | tonne per minute                     | 6411      |
| L79  | tonne per minute kelvin              | 6411      |
| L80  | tonne per minute bar                 | 6411      |
| L81  | tonne per second                     | 6411      |
| L82  | tonne per second kelvin              | 6411      |
| L83  | tonne per second bar                 | 6411      |
| L84  | ton (UK shipping)                    | 6411      |
| L85  | ton long per day                     | 6411      |
| L86  | ton (US shipping)                    | 6411      |
| L87  | ton short per degree Fahrenheit      | 6411      |
| L88  | ton short per day                    | 6411      |
| L89  | ton short per hour degree Fahrenheit | 6411      |
| L90  | ton short per hour psi               | 6411      |
| L91  | ton short per psi                    | 6411      |
| L92  | ton (UK long) per cubic yard         | 6411      |
| L93  | ton (US short) per cubic yard        | 6411      |
| L94  | ton-force (US short)                 | 6411      |
| L95  | common year                          | 6411      |
| L96  | sidereal year                        | 6411      |
| L98  | yard per degree Fahrenheit           | 6411      |
| L99  | yard per psi                         | 6411      |
| LA   | pound per cubic inch                 | 6411      |

## Applicable codes

| Code       | Name/description   | Code list |
|------------|--|-----------|
| <b>LAC</b> | lactose excess percentage                                  | 6411      |
| <b>LBR</b> | pound  | 6411      |
| <b>LBT</b> | troy pound (US)  | 6411      |
| <b>LC</b>  | linear centimetre  | 6411      |
| <b>LD</b>  | litre per day  | 6411      |
| <b>LE</b>  | lite   | 6411      |
| <b>LEF</b> | leaf   | 6411      |
| <b>LF</b>  | linear foot  | 6411      |
| <b>LH</b>  | labour hour  | 6411      |
| <b>LI</b>  | linear inch  | 6411      |
| <b>LJ</b>  | large spray  | 6411      |
| <b>LK</b>  | link   | 6411      |
| <b>LM</b>  | linear metre   | 6411      |
| <b>LN</b>  | length   | 6411      |
| <b>LO</b>  | lot [unit of procurement]                                  | 6411      |
| <b>LP</b>  | liquid pound   | 6411      |
| <b>LPA</b> | litre of pure alcohol                                      | 6411      |
| <b>LR</b>  | layer  | 6411      |
| <b>LS</b>  | lump sum   | 6411      |
| <b>LTN</b> | ton (UK) or long ton (US)                                  | 6411      |
| <b>LTR</b> | litre  | 6411      |
| <b>LUB</b> | metric ton, lubricating oil                                | 6411      |
| <b>LUM</b> | lumen  | 6411      |
| <b>LUX</b> | lux  | 6411      |
| <b>LX</b>  | linear yard per pound                                      | 6411      |
| <b>LY</b>  | linear yard  | 6411      |
| <b>M0</b>  | magnetic tape  | 6411      |
| <b>M1</b>  | milligram per litre  | 6411      |
| <b>M10</b> | reciprocal cubic yard                                      | 6411      |
| <b>M11</b> | cubic yard per degree Fahrenheit                           | 6411      |
| <b>M12</b> | cubic yard per day   | 6411      |
| <b>M13</b> | cubic yard per hour  | 6411      |
| <b>M14</b> | cubic yard per psi   | 6411      |
| <b>M15</b> | cubic yard per minute                                      | 6411      |
| <b>M16</b> | cubic yard per second                                      | 6411      |
| <b>M17</b> | kilohertz metre  | 6411      |
| <b>M18</b> | gigahertz metre  | 6411      |
| <b>M19</b> | Beaufort   | 6411      |
| <b>M20</b> | reciprocal megakelvin or megakelvin to the power minus one | 6411      |
| <b>M21</b> | reciprocal kilovolt - ampere reciprocal hour               | 6411      |
| <b>M22</b> | millilitre per square centimetre minute                    | 6411      |
| <b>M23</b> | newton per centimetre                                      | 6411      |
| <b>M24</b> | ohm kilometre  | 6411      |
| <b>M25</b> | percent per degree Celsius                                 | 6411      |
| <b>M26</b> | gigaohm per metre  | 6411      |
| <b>M27</b> | megahertz metre  | 6411      |
| <b>M29</b> | kilogram per kilogram                                      | 6411      |
| <b>M30</b> | reciprocal volt - ampere reciprocal second                 | 6411      |
| <b>M31</b> | kilogram per kilometre                                     | 6411      |
| <b>M32</b> | pascal second per litre                                    | 6411      |

## Applicable codes

| Code | Name/description                          | Code list |
|------|---|-----------|
| M33  | millimole per litre                       | 6411      |
| M34  | newton metre per square metre             | 6411      |
| M35  | millivolt - ampere                        | 6411      |
| M36  | 30-day month                              | 6411      |
| M37  | actual/360                                | 6411      |
| M38  | kilometre per second squared              | 6411      |
| M39  | centimetre per second squared             | 6411      |
| M4   | monetary value                            | 6411      |
| M40  | yard per second squared                   | 6411      |
| M41  | millimetre per second squared             | 6411      |
| M42  | mile (statute mile) per second squared    | 6411      |
| M43  | mil                                       | 6411      |
| M44  | revolution                                | 6411      |
| M45  | degree [unit of angle] per second squared | 6411      |
| M46  | revolution per minute                     | 6411      |
| M47  | circular mil                              | 6411      |
| M48  | square mile (based on U.S. survey foot)   | 6411      |
| M49  | chain (based on U.S. survey foot)         | 6411      |
| M5   | microcurie                                | 6411      |
| M50  | furlong                                   | 6411      |
| M51  | foot (U.S. survey)                        | 6411      |
| M52  | mile (based on U.S. survey foot)          | 6411      |
| M53  | metre per pascal                          | 6411      |
| M55  | metre per radiant                         | 6411      |
| M56  | shake                                     | 6411      |
| M57  | mile per minute                           | 6411      |
| M58  | mile per second                           | 6411      |
| M59  | metre per second pascal                   | 6411      |
| M60  | metre per hour                            | 6411      |
| M61  | inch per year                             | 6411      |
| M62  | kilometre per second                      | 6411      |
| M63  | inch per minute                           | 6411      |
| M64  | yard per second                           | 6411      |
| M65  | yard per minute                           | 6411      |
| M66  | yard per hour                             | 6411      |
| M67  | acre-foot (based on U.S. survey foot)     | 6411      |
| M68  | cord (128 ft <sup>3</sup> )               | 6411      |
| M69  | cubic mile (UK statute)                   | 6411      |
| M7   | micro-inch                                | 6411      |
| M70  | ton, register                             | 6411      |
| M71  | cubic metre per pascal                    | 6411      |
| M72  | bel                                       | 6411      |
| M73  | kilogram per cubic metre pascal           | 6411      |
| M74  | kilogram per pascal                       | 6411      |
| M75  | kilopound-force                           | 6411      |
| M76  | poundal                                   | 6411      |
| M77  | kilogram metre per second squared         | 6411      |
| M78  | pond                                      | 6411      |
| M79  | square foot per hour                      | 6411      |
| M80  | stokes per pascal                         | 6411      |

## Applicable codes

| Code       | Name/description                   | Code list |
|------------|------------------------------------|-----------|
| <b>M81</b> | square centimetre per second       | 6411      |
| <b>M82</b> | square metre per second pascal     | 6411      |
| <b>M83</b> | denier                             | 6411      |
| <b>M84</b> | pound per yard                     | 6411      |
| <b>M85</b> | ton, assay                         | 6411      |
| <b>M86</b> | pfund                              | 6411      |
| <b>M87</b> | kilogram per second pascal         | 6411      |
| <b>M88</b> | tonne per month                    | 6411      |
| <b>M89</b> | tonne per year                     | 6411      |
| <b>M9</b>  | million Btu per 1000 cubic foot    | 6411      |
| <b>M90</b> | kilopound per hour                 | 6411      |
| <b>M91</b> | pound per pound                    | 6411      |
| <b>M92</b> | pound-force foot                   | 6411      |
| <b>M93</b> | newton metre per radian            | 6411      |
| <b>M94</b> | kilogram metre                     | 6411      |
| <b>M95</b> | poundal foot                       | 6411      |
| <b>M96</b> | poundal inch                       | 6411      |
| <b>M97</b> | dyne metre                         | 6411      |
| <b>M98</b> | kilogram centimetre per second     | 6411      |
| <b>M99</b> | gram centimetre per second         | 6411      |
| <b>MA</b>  | machine per unit                   | 6411      |
| <b>MAH</b> | megavolt ampere reactive hour      | 6411      |
| <b>MAL</b> | megalitre                          | 6411      |
| <b>MAM</b> | megametre                          | 6411      |
| <b>MAR</b> | megavar                            | 6411      |
| <b>MAW</b> | megawatt                           | 6411      |
| <b>MBE</b> | thousand standard brick equivalent | 6411      |
| <b>MBF</b> | thousand board foot                | 6411      |
| <b>MBR</b> | millibar                           | 6411      |
| <b>MC</b>  | microgram                          | 6411      |
| <b>MCU</b> | millicurie                         | 6411      |
| <b>MD</b>  | air dry metric ton                 | 6411      |
| <b>MF</b>  | milligram per square foot per side | 6411      |
| <b>MGM</b> | milligram                          | 6411      |
| <b>MHZ</b> | megahertz                          | 6411      |
| <b>MIK</b> | square mile (statute mile)         | 6411      |
| <b>MIL</b> | thousand                           | 6411      |
| <b>MIN</b> | minute [unit of time]              | 6411      |
| <b>MIO</b> | million                            | 6411      |
| <b>MIU</b> | million international unit         | 6411      |
| <b>MK</b>  | milligram per square inch          | 6411      |
| <b>MLD</b> | milliard                           | 6411      |
| <b>MLT</b> | millilitre                         | 6411      |
| <b>MMK</b> | square millimetre                  | 6411      |
| <b>MMQ</b> | cubic millimetre                   | 6411      |
| <b>MMT</b> | millimetre                         | 6411      |
| <b>MND</b> | kilogram, dry weight               | 6411      |
| <b>MON</b> | month                              | 6411      |
| <b>MPA</b> | megapascal                         | 6411      |
| <b>MQ</b>  | thousand metre                     | 6411      |

## Applicable codes

| Code       | Name/description                    | Code list |
|------------|-------------------------------------|-----------|
| <b>MQH</b> | cubic metre per hour                | 6411      |
| <b>MQS</b> | cubic metre per second              | 6411      |
| <b>MSK</b> | metre per second squared            | 6411      |
| <b>MT</b>  | mat                                 | 6411      |
| <b>MTK</b> | square metre                        | 6411      |
| <b>MTQ</b> | cubic metre                         | 6411      |
| <b>MTR</b> | metre                               | 6411      |
| <b>MTS</b> | metre per second                    | 6411      |
| <b>MV</b>  | number of mults                     | 6411      |
| <b>MVA</b> | megavolt - ampere                   | 6411      |
| <b>MWH</b> | megawatt hour (1000 kW.h)           | 6411      |
| <b>N1</b>  | pen calorie                         | 6411      |
| <b>N10</b> | pound foot per second               | 6411      |
| <b>N11</b> | pound inch per second               | 6411      |
| <b>N12</b> | Pferdestaerke                       | 6411      |
| <b>N13</b> | centimetre of mercury (0 °C)        | 6411      |
| <b>N14</b> | centimetre of water (4 °C)          | 6411      |
| <b>N15</b> | foot of water (39.2 °F)             | 6411      |
| <b>N16</b> | inch of mercury (32 °F)             | 6411      |
| <b>N17</b> | inch of mercury (60 °F)             | 6411      |
| <b>N18</b> | inch of water (39.2 °F)             | 6411      |
| <b>N19</b> | inch of water (60 °F)               | 6411      |
| <b>N2</b>  | number of lines                     | 6411      |
| <b>N20</b> | kip per square inch                 | 6411      |
| <b>N21</b> | poundal per square foot             | 6411      |
| <b>N22</b> | ounce (avoirdupois) per square inch | 6411      |
| <b>N23</b> | conventional metre of water         | 6411      |
| <b>N24</b> | gram per square millimetre          | 6411      |
| <b>N25</b> | pound per square yard               | 6411      |
| <b>N26</b> | poundal per square inch             | 6411      |
| <b>N27</b> | foot to the fourth power            | 6411      |
| <b>N28</b> | cubic decimetre per kilogram        | 6411      |
| <b>N29</b> | cubic foot per pound                | 6411      |
| <b>N3</b>  | print point                         | 6411      |
| <b>N30</b> | cubic inch per pound                | 6411      |
| <b>N31</b> | kilonewton per metre                | 6411      |
| <b>N32</b> | poundal per inch                    | 6411      |
| <b>N33</b> | pound-force per yard                | 6411      |
| <b>N34</b> | poundal second per square foot      | 6411      |
| <b>N35</b> | poise per pascal                    | 6411      |
| <b>N36</b> | newton second per square metre      | 6411      |
| <b>N37</b> | kilogram per metre second           | 6411      |
| <b>N38</b> | kilogram per metre minute           | 6411      |
| <b>N39</b> | kilogram per metre day              | 6411      |
| <b>N40</b> | kilogram per metre hour             | 6411      |
| <b>N41</b> | gram per centimetre second          | 6411      |
| <b>N42</b> | poundal second per square inch      | 6411      |
| <b>N43</b> | pound per foot minute               | 6411      |
| <b>N44</b> | pound per foot day                  | 6411      |
| <b>N45</b> | cubic metre per second pascal       | 6411      |

## Applicable codes

| Code | Name/description   | Code list |
|------|--|-----------|
| N46  | foot poundal   | 6411      |
| N47  | inch poundal   | 6411      |
| N48  | watt per square centimetre   | 6411      |
| N49  | watt per square inch   | 6411      |
| N50  | British thermal unit (international table) per square foot hour                        | 6411      |
| N51  | British thermal unit (thermochemical) per square foot hour                             | 6411      |
| N52  | British thermal unit (thermochemical) per square foot minute                           | 6411      |
| N53  | British thermal unit (international table) per square foot second                      | 6411      |
| N54  | British thermal unit (thermochemical) per square foot second                           | 6411      |
| N55  | British thermal unit (international table) per square inch second                      | 6411      |
| N56  | calorie (thermochemical) per square centimetre minute                                  | 6411      |
| N57  | calorie (thermochemical) per square centimetre second                                  | 6411      |
| N58  | British thermal unit (international table) per cubic foot                              | 6411      |
| N59  | British thermal unit (thermochemical) per cubic foot                                   | 6411      |
| N60  | British thermal unit (international table) per degree Fahrenheit                       | 6411      |
| N61  | British thermal unit (thermochemical) per degree Fahrenheit                            | 6411      |
| N62  | British thermal unit (international table) per degree Rankine                          | 6411      |
| N63  | British thermal unit (thermochemical) per degree Rankine                               | 6411      |
| N64  | British thermal unit (thermochemical) per pound degree Rankine                         | 6411      |
| N65  | kilocalorie (international table) per gram kelvin                                      | 6411      |
| N66  | British thermal unit (39 °F)   | 6411      |
| N67  | British thermal unit (59 °F)   | 6411      |
| N68  | British thermal unit (60 °F)   | 6411      |
| N69  | calorie (20 °C)  | 6411      |
| N70  | quad (1015 BtuIT)  | 6411      |
| N71  | therm (EC)   | 6411      |
| N72  | therm (U.S.)   | 6411      |
| N73  | British thermal unit (thermochemical) per pound  | 6411      |
| N74  | British thermal unit (international table) per hour square foot degree Fahrenheit      | 6411      |
| N75  | British thermal unit (thermochemical) per hour square foot degree Fahrenheit           | 6411      |
| N76  | British thermal unit (international table) per second square foot degree Fahrenheit    | 6411      |
| N77  | British thermal unit (thermochemical) per second square foot degree Fahrenheit         | 6411      |
| N78  | kilowatt per square metre kelvin   | 6411      |
| N79  | kelvin per pascal  | 6411      |
| N80  | watt per metre degree Celsius  | 6411      |
| N81  | kilowatt per metre kelvin  | 6411      |
| N82  | kilowatt per metre degree Celsius  | 6411      |
| N83  | metre per degree Celsius metre   | 6411      |
| N84  | degree Fahrenheit hour per British thermal unit (international table)                  | 6411      |
| N85  | degree Fahrenheit hour per British thermal unit (thermochemical)                       | 6411      |
| N86  | degree Fahrenheit second per British thermal unit (international table)                | 6411      |
| N87  | degree Fahrenheit second per British thermal unit (thermochemical)                     | 6411      |
| N88  | degree Fahrenheit hour square foot per British thermal unit (international table) inch | 6411      |
| N89  | degree Fahrenheit hour square foot per British thermal unit (thermochemical) inch      | 6411      |
| N90  | kilofarad  | 6411      |
| N91  | reciprocal joule   | 6411      |
| N92  | pico Siemens   | 6411      |
| N93  | ampere per pascal  | 6411      |
| N94  | franklin   | 6411      |
| N95  | ampere minute  | 6411      |



## Applicable codes

| Code       | Name/description              | Code list |
|------------|-------------------------------|-----------|
| <b>N96</b> | biot                          | 6411      |
| <b>N97</b> | gilbert                       | 6411      |
| <b>N98</b> | volt per pascal               | 6411      |
| <b>N99</b> | picovolt                      | 6411      |
| <b>NA</b>  | milligram per kilogram        | 6411      |
| <b>NAR</b> | number of articles            | 6411      |
| <b>NB</b>  | barge                         | 6411      |
| <b>NBB</b> | number of bobbins             | 6411      |
| <b>NC</b>  | car                           | 6411      |
| <b>NCL</b> | number of cells               | 6411      |
| <b>ND</b>  | net barrel                    | 6411      |
| <b>NE</b>  | net litre                     | 6411      |
| <b>NEW</b> | newton                        | 6411      |
| <b>NF</b>  | message                       | 6411      |
| <b>NG</b>  | net gallon (us)               | 6411      |
| <b>NH</b>  | message hour                  | 6411      |
| <b>NI</b>  | net imperial gallon           | 6411      |
| <b>NIL</b> | nil                           | 6411      |
| <b>NIU</b> | number of international units | 6411      |
| <b>NJ</b>  | number of screens             | 6411      |
| <b>NL</b>  | load                          | 6411      |
| <b>NM3</b> | Normalised cubic metre        | 6411      |
| <b>NMI</b> | nautical mile                 | 6411      |
| <b>NMP</b> | number of packs               | 6411      |
| <b>NN</b>  | train                         | 6411      |
| <b>NPL</b> | number of parcels             | 6411      |
| <b>NPR</b> | number of pairs               | 6411      |
| <b>NPT</b> | number of parts               | 6411      |
| <b>NQ</b>  | mho                           | 6411      |
| <b>NR</b>  | micromho                      | 6411      |
| <b>NRL</b> | number of rolls               | 6411      |
| <b>NT</b>  | net ton                       | 6411      |
| <b>NTT</b> | net register ton              | 6411      |
| <b>NU</b>  | newton metre                  | 6411      |
| <b>NV</b>  | vehicle                       | 6411      |
| <b>NX</b>  | part per thousand             | 6411      |
| <b>NY</b>  | pound per air dry metric ton  | 6411      |
| <b>OA</b>  | panel                         | 6411      |
| <b>ODE</b> | ozone depletion equivalent    | 6411      |
| <b>OHM</b> | ohm                           | 6411      |
| <b>ON</b>  | ounce per square yard         | 6411      |
| <b>ONZ</b> | ounce (avoirdupois)           | 6411      |
| <b>OP</b>  | two pack                      | 6411      |
| <b>OPM</b> | oscillations per minute       | 6411      |
| <b>OT</b>  | overtime hour                 | 6411      |
| <b>OZ</b>  | ounce av                      | 6411      |
| <b>OZA</b> | fluid ounce (US)              | 6411      |
| <b>OZI</b> | fluid ounce (UK)              | 6411      |
| <b>P0</b>  | page - electronic             | 6411      |
| <b>P1</b>  | percent                       | 6411      |

## Applicable codes

| Code | Name/description   | Code list |
|------|--|-----------|
| P10  | coulomb per metre  | 6411      |
| P11  | kiloweber  | 6411      |
| P12  | gamma  | 6411      |
| P13  | kilotesla  | 6411      |
| P14  | joule per second   | 6411      |
| P15  | joule per minute   | 6411      |
| P16  | joule per hour   | 6411      |
| P17  | joule per day  | 6411      |
| P18  | kilojoule per second                                       | 6411      |
| P19  | kilojoule per minute                                       | 6411      |
| P2   | pound per foot   | 6411      |
| P20  | kilojoule per hour   | 6411      |
| P21  | kilojoule per day  | 6411      |
| P22  | nanoohm  | 6411      |
| P23  | ohm circular-mil per foot                                  | 6411      |
| P24  | kilohenry  | 6411      |
| P25  | lumen per square foot                                      | 6411      |
| P26  | phot   | 6411      |
| P27  | footcandle   | 6411      |
| P28  | candela per square inch                                    | 6411      |
| P29  | footlambert  | 6411      |
| P3   | three pack   | 6411      |
| P30  | lambert  | 6411      |
| P31  | stilb  | 6411      |
| P32  | candela per square foot                                    | 6411      |
| P33  | kilocandela  | 6411      |
| P34  | millicandela   | 6411      |
| P35  | Hefner-Kerze   | 6411      |
| P36  | international candle                                       | 6411      |
| P37  | British thermal unit (international table) per square foot | 6411      |
| P38  | British thermal unit (thermochemical) per square foot      | 6411      |
| P39  | calorie (thermochemical) per square centimetre             | 6411      |
| P4   | four pack  | 6411      |
| P40  | langley  | 6411      |
| P41  | decade (logarithmic)                                       | 6411      |
| P42  | pascal squared second                                      | 6411      |
| P43  | bel per metre  | 6411      |
| P44  | pound mole   | 6411      |
| P45  | pound mole per second                                      | 6411      |
| P46  | pound mole per minute                                      | 6411      |
| P47  | kilomole per kilogram                                      | 6411      |
| P48  | pound mole per pound                                       | 6411      |
| P49  | newton square metre per ampere                             | 6411      |
| P5   | five pack  | 6411      |
| P50  | weber metre  | 6411      |
| P51  | mol per kilogram pascal                                    | 6411      |
| P52  | mol per cubic metre pascal                                 | 6411      |
| P53  | unit pole  | 6411      |
| P54  | milligray per second                                       | 6411      |
| P55  | microgray per second                                       | 6411      |

## Applicable codes

| Code | Name/description  | Code list |
|------|---|-----------|
| P56  | nanogray per second   | 6411      |
| P57  | gray per minute   | 6411      |
| P58  | milligray per minute  | 6411      |
| P59  | microgray per minute  | 6411      |
| P6   | six pack  | 6411      |
| P60  | nanogray per minute   | 6411      |
| P61  | gray per hour   | 6411      |
| P62  | milligray per hour  | 6411      |
| P63  | microgray per hour  | 6411      |
| P64  | nanogray per hour   | 6411      |
| P65  | sievert per second  | 6411      |
| P66  | millisievert per second   | 6411      |
| P67  | microsievert per second   | 6411      |
| P68  | nanosievert per second  | 6411      |
| P69  | rem per second  | 6411      |
| P7   | seven pack  | 6411      |
| P70  | sievert per hour  | 6411      |
| P71  | millisievert per hour   | 6411      |
| P72  | microsievert per hour   | 6411      |
| P73  | nanosievert per hour  | 6411      |
| P74  | sievert per minute  | 6411      |
| P75  | millisievert per minute   | 6411      |
| P76  | microsievert per minute   | 6411      |
| P77  | nanosievert per minute  | 6411      |
| P78  | reciprocal square inch  | 6411      |
| P79  | pascal square metre per kilogram                                | 6411      |
| P8   | eight pack  | 6411      |
| P80  | millipascal per metre   | 6411      |
| P81  | kilopascal per metre  | 6411      |
| P82  | hectopascal per metre   | 6411      |
| P83  | standard atmosphere per metre                                   | 6411      |
| P84  | technical atmosphere per metre                                  | 6411      |
| P85  | torr per metre  | 6411      |
| P86  | psi per inch  | 6411      |
| P87  | cubic metre per second square metre                             | 6411      |
| P88  | rhe   | 6411      |
| P89  | pound-force foot per inch                                       | 6411      |
| P9   | nine pack   | 6411      |
| P90  | pound-force inch per inch                                       | 6411      |
| P91  | perm (0 °C)   | 6411      |
| P92  | perm (23 °C)  | 6411      |
| P93  | byte per second   | 6411      |
| P94  | kilobyte per second   | 6411      |
| P95  | megabyte per second   | 6411      |
| P96  | reciprocal volt   | 6411      |
| P97  | reciprocal radian   | 6411      |
| P98  | pascal to the power sum of stoichiometric numbers               | 6411      |
| P99  | mole per cubiv metre to the power sum of stoichiometric numbers | 6411      |
| PA   | packet  | 6411      |
| PAL  | pascal  | 6411      |

## Applicable codes

| Code       | Name/description                        | Code list |
|------------|---|-----------|
| <b>PB</b>  | pair inch                               | 6411      |
| <b>PCE</b> | piece                                   | 6411      |
| <b>PD</b>  | pad                                     | 6411      |
| <b>PE</b>  | pound equivalent                        | 6411      |
| <b>PF</b>  | pallet (lift)                           | 6411      |
| <b>PFL</b> | proof litre                             | 6411      |
| <b>PG</b>  | plate                                   | 6411      |
| <b>PGL</b> | proof gallon                            | 6411      |
| <b>PI</b>  | pitch                                   | 6411      |
| <b>PK</b>  | pack                                    | 6411      |
| <b>PL</b>  | pail                                    | 6411      |
| <b>PLA</b> | degree Plato                            | 6411      |
| <b>PM</b>  | pound percentage                        | 6411      |
| <b>PN</b>  | pound net                               | 6411      |
| <b>PO</b>  | pound per inch of length                | 6411      |
| <b>PQ</b>  | page per inch                           | 6411      |
| <b>PR</b>  | pair                                    | 6411      |
| <b>PS</b>  | pound-force per square inch             | 6411      |
| <b>PT</b>  | pint (US)                               | 6411      |
| <b>PTD</b> | dry pint (US)                           | 6411      |
| <b>PTI</b> | pint (UK)                               | 6411      |
| <b>PTL</b> | liquid pint (US)                        | 6411      |
| <b>PTN</b> | portion                                 | 6411      |
| <b>PU</b>  | tray / tray pack                        | 6411      |
| <b>PV</b>  | half pint (US)                          | 6411      |
| <b>PW</b>  | pound per inch of width                 | 6411      |
| <b>PY</b>  | peck dry (US)                           | 6411      |
| <b>PZ</b>  | peck dry (UK)                           | 6411      |
| <b>Q10</b> | joule per tesla                         | 6411      |
| <b>Q11</b> | erlang                                  | 6411      |
| <b>Q12</b> | octet                                   | 6411      |
| <b>Q13</b> | octet per second                        | 6411      |
| <b>Q14</b> | shannon                                 | 6411      |
| <b>Q15</b> | hartley                                 | 6411      |
| <b>Q16</b> | natural unit of information             | 6411      |
| <b>Q17</b> | shannon per second                      | 6411      |
| <b>Q18</b> | hartley per second                      | 6411      |
| <b>Q19</b> | natural unit of information per second  | 6411      |
| <b>Q20</b> | second per kilogramm                    | 6411      |
| <b>Q21</b> | watt square metre                       | 6411      |
| <b>Q22</b> | second per radian cubic metre           | 6411      |
| <b>Q23</b> | weber to the power minus one            | 6411      |
| <b>Q24</b> | reciprocal inch                         | 6411      |
| <b>Q25</b> | dioptré                                 | 6411      |
| <b>Q26</b> | one per one                             | 6411      |
| <b>Q27</b> | newton metre per metre                  | 6411      |
| <b>Q28</b> | kilogram per square metre pascal second | 6411      |
| <b>Q29</b> | microgram per hectogram                 | 6411      |
| <b>Q3</b>  | meal                                    | 6411      |
| <b>Q30</b> | pH (potential of Hydrogen)              | 6411      |

## Applicable codes

| Code       | Name/description                 | Code list |
|------------|----------------------------------|-----------|
| <b>Q31</b> | kilojoule per gram               | 6411      |
| <b>Q32</b> | femtolitre                       | 6411      |
| <b>Q33</b> | picolitre                        | 6411      |
| <b>Q34</b> | nanolitre                        | 6411      |
| <b>Q35</b> | megawatts per minute             | 6411      |
| <b>Q36</b> | square metre per cubic metre     | 6411      |
| <b>Q37</b> | Standard cubic metre per day     | 6411      |
| <b>Q38</b> | Standard cubic metre per hour    | 6411      |
| <b>Q39</b> | Normalized cubic metre per day   | 6411      |
| <b>Q40</b> | Normalized cubic metre per hour  | 6411      |
| <b>Q41</b> | Joule per normalised cubic metre | 6411      |
| <b>Q42</b> | Joule per standard cubic metre   | 6411      |
| <b>QA</b>  | page - facsimile                 | 6411      |
| <b>QAN</b> | quarter (of a year)              | 6411      |
| <b>QB</b>  | page - hardcopy                  | 6411      |
| <b>QD</b>  | quarter dozen                    | 6411      |
| <b>QH</b>  | quarter hour                     | 6411      |
| <b>QK</b>  | quarter kilogram                 | 6411      |
| <b>QR</b>  | quire                            | 6411      |
| <b>QT</b>  | quart (US)                       | 6411      |
| <b>QTD</b> | dry quart (US)                   | 6411      |
| <b>QTI</b> | quart (UK)                       | 6411      |
| <b>QTL</b> | liquid quart (US)                | 6411      |
| <b>QTR</b> | quarter (UK)                     | 6411      |
| <b>R1</b>  | pica                             | 6411      |
| <b>R4</b>  | calorie                          | 6411      |
| <b>R9</b>  | thousand cubic metre             | 6411      |
| <b>RA</b>  | rack                             | 6411      |
| <b>RD</b>  | rod                              | 6411      |
| <b>RG</b>  | ring                             | 6411      |
| <b>RH</b>  | running or operating hour        | 6411      |
| <b>RK</b>  | roll metric measure              | 6411      |
| <b>RL</b>  | reel                             | 6411      |
| <b>RM</b>  | ream                             | 6411      |
| <b>RN</b>  | ream metric measure              | 6411      |
| <b>RO</b>  | roll                             | 6411      |
| <b>ROM</b> | room                             | 6411      |
| <b>RP</b>  | pound per ream                   | 6411      |
| <b>RPM</b> | revolutions per minute           | 6411      |
| <b>RPS</b> | revolutions per second           | 6411      |
| <b>RS</b>  | reset                            | 6411      |
| <b>RT</b>  | revenue ton mile                 | 6411      |
| <b>RU</b>  | run                              | 6411      |
| <b>S3</b>  | square foot per second           | 6411      |
| <b>S4</b>  | square metre per second          | 6411      |
| <b>S5</b>  | sixty fourths of an inch         | 6411      |
| <b>S6</b>  | session                          | 6411      |
| <b>S7</b>  | storage unit                     | 6411      |
| <b>S8</b>  | standard advertising unit        | 6411      |
| <b>SA</b>  | sack                             | 6411      |

## Applicable codes

| Code       | Name/description                       | Code list |
|------------|--|-----------|
| <b>SAN</b> | half year (6 months)                   | 6411      |
| <b>SCO</b> | score                                  | 6411      |
| <b>SCR</b> | scruple                                | 6411      |
| <b>SD</b>  | solid pound                            | 6411      |
| <b>SE</b>  | section                                | 6411      |
| <b>SEC</b> | second [unit of time]                  | 6411      |
| <b>SET</b> | set                                    | 6411      |
| <b>SG</b>  | segment                                | 6411      |
| <b>SHT</b> | shipping ton                           | 6411      |
| <b>SIE</b> | siemens                                | 6411      |
| <b>SK</b>  | split tank truck                       | 6411      |
| <b>SL</b>  | slipsheet                              | 6411      |
| <b>SM3</b> | Standard cubic metre                   | 6411      |
| <b>SMI</b> | mile (statute mile)                    | 6411      |
| <b>SN</b>  | square rod                             | 6411      |
| <b>SO</b>  | spool                                  | 6411      |
| <b>SP</b>  | shelf package                          | 6411      |
| <b>SQ</b>  | square                                 | 6411      |
| <b>SQR</b> | square, roofing                        | 6411      |
| <b>SR</b>  | strip                                  | 6411      |
| <b>SS</b>  | sheet metric measure                   | 6411      |
| <b>SST</b> | short standard (7200 matches)          | 6411      |
| <b>ST</b>  | sheet                                  | 6411      |
| <b>STC</b> | stick                                  | 6411      |
| <b>STI</b> | stone (UK)                             | 6411      |
| <b>STK</b> | stick, cigarette                       | 6411      |
| <b>STL</b> | standard litre                         | 6411      |
| <b>STN</b> | ton (US) or short ton (UK/US)          | 6411      |
| <b>STW</b> | straw                                  | 6411      |
| <b>SV</b>  | skid                                   | 6411      |
| <b>SW</b>  | skein                                  | 6411      |
| <b>SX</b>  | shipment                               | 6411      |
| <b>SYR</b> | syringe                                | 6411      |
| <b>T0</b>  | telecommunication line in service      | 6411      |
| <b>T1</b>  | thousand pound gross                   | 6411      |
| <b>T3</b>  | thousand piece                         | 6411      |
| <b>T4</b>  | thousand bag                           | 6411      |
| <b>T5</b>  | thousand casing                        | 6411      |
| <b>T6</b>  | thousand gallon (US)                   | 6411      |
| <b>T7</b>  | thousand impression                    | 6411      |
| <b>T8</b>  | thousand linear inch                   | 6411      |
| <b>TA</b>  | tenth cubic foot                       | 6411      |
| <b>TAH</b> | kiloampere hour (thousand ampere hour) | 6411      |
| <b>TAN</b> | total acid number                      | 6411      |
| <b>TC</b>  | truckload                              | 6411      |
| <b>TD</b>  | therm                                  | 6411      |
| <b>TE</b>  | tote                                   | 6411      |
| <b>TF</b>  | ten square yard                        | 6411      |
| <b>TI</b>  | thousand square inch                   | 6411      |
| <b>TIC</b> | metric ton, including container        | 6411      |

## Applicable codes

| Code       | Name/description                          | Code list |
|------------|---|-----------|
| <b>TIP</b> | metric ton, including inner packaging     | 6411      |
| <b>TJ</b>  | thousand square centimetre                | 6411      |
| <b>TK</b>  | tank, rectangular                         | 6411      |
| <b>TKM</b> | tonne kilometre                           | 6411      |
| <b>TL</b>  | thousand feet (linear)                    | 6411      |
| <b>TMS</b> | kilogram of imported meat, less offal     | 6411      |
| <b>TN</b>  | tin                                       | 6411      |
| <b>TNE</b> | tonne (metric ton)                        | 6411      |
| <b>TP</b>  | ten pack                                  | 6411      |
| <b>TPI</b> | teeth per inch                            | 6411      |
| <b>TPR</b> | ten pair                                  | 6411      |
| <b>TQ</b>  | thousand feet                             | 6411      |
| <b>TQD</b> | thousand cubic metre per day              | 6411      |
| <b>TR</b>  | ten square feet                           | 6411      |
| <b>TRL</b> | trillion (EUR)                            | 6411      |
| <b>TS</b>  | thousand square feet                      | 6411      |
| <b>TSD</b> | tonne of substance 90 % dry               | 6411      |
| <b>TSH</b> | ton of steam per hour                     | 6411      |
| <b>TST</b> | ten set                                   | 6411      |
| <b>TT</b>  | thousand linear metre                     | 6411      |
| <b>TTS</b> | ten thousand sticks                       | 6411      |
| <b>TU</b>  | tube                                      | 6411      |
| <b>TV</b>  | thousand kilogram                         | 6411      |
| <b>TW</b>  | thousand sheet                            | 6411      |
| <b>TY</b>  | tank, cylindrical                         | 6411      |
| <b>U1</b>  | treatment                                 | 6411      |
| <b>U2</b>  | tablet                                    | 6411      |
| <b>UA</b>  | torr                                      | 6411      |
| <b>UB</b>  | telecommunication line in service average | 6411      |
| <b>UC</b>  | telecommunication port                    | 6411      |
| <b>UD</b>  | tenth minute                              | 6411      |
| <b>UE</b>  | tenth hour                                | 6411      |
| <b>UF</b>  | usage per telecommunication line average  | 6411      |
| <b>UH</b>  | ten thousand yard                         | 6411      |
| <b>UM</b>  | million unit                              | 6411      |
| <b>VA</b>  | volt - ampere per kilogram                | 6411      |
| <b>VI</b>  | vial                                      | 6411      |
| <b>VLT</b> | volt                                      | 6411      |
| <b>VP</b>  | percent volume                            | 6411      |
| <b>VQ</b>  | bulk                                      | 6411      |
| <b>VS</b>  | visit                                     | 6411      |
| <b>W2</b>  | wet kilo                                  | 6411      |
| <b>W4</b>  | two week                                  | 6411      |
| <b>WA</b>  | watt per kilogram                         | 6411      |
| <b>WB</b>  | wet pound                                 | 6411      |
| <b>WCD</b> | cord                                      | 6411      |
| <b>WE</b>  | wet ton                                   | 6411      |
| <b>WEB</b> | weber                                     | 6411      |
| <b>WEE</b> | week                                      | 6411      |
| <b>WG</b>  | wine gallon                               | 6411      |

## Applicable codes

| Code   | Name/description                                 | Code list |
|--|--|-----------|
| <b>WH</b>                                    | wheel  | 6411      |
| <b>WHR</b>                                   | watt hour  | 6411      |
| <b>WI</b>                                    | weight per square inch                           | 6411      |
| <b>WM</b>                                    | working month                                    | 6411      |
| <b>WR</b>                                    | wrap   | 6411      |
| <b>WSD</b>                                   | standard   | 6411      |
| <b>WTT</b>                                   | watt   | 6411      |
| <b>WW</b>                                    | millilitre of water                              | 6411      |
| <b>X1</b>                                    | Gunter's chain                                   | 6411      |
| <b>YDK</b>                                   | square yard                                      | 6411      |
| <b>YDQ</b>                                   | cubic yard                                       | 6411      |
| <b>YL</b>                                    | hundred linear yard                              | 6411      |
| <b>YRD</b>                                   | yard   | 6411      |
| <b>YT</b>                                    | ten yard   | 6411      |
| <b>Z1</b>                                    | lift van   | 6411      |
| <b>Z11</b>                                   | hanging container                                | 6411      |
| <b>Z2</b>                                    | chest  | 6411      |
| <b>Z3</b>                                    | cask   | 6411      |
| <b>Z4</b>                                    | hogshead   | 6411      |
| <b>Z5</b>                                    | lug  | 6411      |
| <b>Z6</b>                                    | conference point                                 | 6411      |
| <b>Z8</b>                                    | newspage agate line                              | 6411      |
| <b>ZP</b>                                    | page   | 6411      |
| <b>ZZ</b>                                    | mutually defined                                 | 6411      |
| <b>7143 Item type identification code</b>    |  |           |
| Code   | Name/description                                 | Code list |
| <b>GB</b>                                    | Buyer's internal product group code              | 7143      |
| <b>HS</b>                                    | Harmonised system                                | 7143      |
| <b>IN</b>                                    | Buyer's item number                              | 7143      |
| <b>SA</b>                                    | Supplier's article number                        | 7143      |
| <b>7161 Special service description code</b> |  |           |
| Code   | Name/description                                 | Code list |
| <b>313</b>                                   | Charged material surcharge                       | JAI032    |
| <b>314</b>                                   | Core surcharge                                   | JAI032    |
| <b>316</b>                                   | Rework surcharge (global)                        | JAI032    |
| <b>317</b>                                   | Short quantity surcharge (global)                | JAI032    |
| <b>319</b>                                   | Waste disposal cost surcharge                    | JAI032    |
| <b>320</b>                                   | Energy surcharge                                 | JAI032    |
| <b>322</b>                                   | Start-up costs for design surcharge (global)     | JAI032    |
| <b>323</b>                                   | Carriage for return surcharge                    | JAI032    |
| <b>324</b>                                   | Insurance premium for credit insurance surcharge | JAI032    |
| <b>325</b>                                   | Small parts surcharge                            | JAI032    |
| <b>327</b>                                   | Plant dismantling cost surcharge                 | JAI032    |
| <b>328</b>                                   | Built-in costs surcharge                         | JAI032    |
| <b>329</b>                                   | Development costs surcharge                      | JAI032    |
| <b>330</b>                                   | Bonus  | JAI032    |
| <b>332</b>                                   | Stock-up surcharge                               | JAI032    |
| <b>333</b>                                   | Express handling surcharge                       | JAI032    |



## Applicable codes

| Code       | Name/description                                       | Code list |
|------------|--|-----------|
| <b>334</b> | Set costs surcharge                                    | JAI032    |
| <b>335</b> | Assembly costs surcharge                               | JAI032    |
| <b>338</b> | Special cost surcharge for outside contractor handling | JAI032    |
| <b>339</b> | Special costs schрге for out.cont'tor handl. (global)  | JAI032    |
| <b>340</b> | Material incidental expenses surcharge                 | JAI032    |
| <b>341</b> | Toll surcharge   | JAI032    |
| <b>342</b> | Fuel surcharge   | JAI032    |
| <b>343</b> | Security fee   | JAI032    |
| <b>344</b> | Risk surcharge   | JAI032    |
| <b>AA</b>  | Advertising  | 7161      |
| <b>AAA</b> | Telecommunication                                      | 7161      |
| <b>AAB</b> | Returned goods charges                                 | 7161      |
| <b>AAC</b> | Technical modification                                 | 7161      |
| <b>AAD</b> | Job-order production                                   | 7161      |
| <b>AAE</b> | Outlays  | 7161      |
| <b>AAF</b> | Off-premises   | 7161      |
| <b>AAG</b> | Gold surcharge   | 7161      |
| <b>AAH</b> | Additional processing                                  | 7161      |
| <b>AAI</b> | Attesting  | 7161      |
| <b>AAJ</b> | Copper surcharge                                       | 7161      |
| <b>AAK</b> | Energy surcharge                                       | 7161      |
| <b>AAL</b> | Deduction for missing parts                            | 7161      |
| <b>AAM</b> | Rubber surcharge                                       | 7161      |
| <b>AAN</b> | Brass surcharge  | 7161      |
| <b>AAO</b> | Material surcharge/deduction                           | 7161      |
| <b>AAP</b> | Lead surcharge   | 7161      |
| <b>AAQ</b> | Price index surcharge                                  | 7161      |
| <b>AAR</b> | Platinum surcharge                                     | 7161      |
| <b>AAS</b> | Acceptance   | 7161      |
| <b>AAT</b> | Rush delivery  | 7161      |
| <b>AAU</b> | Selenium surcharge                                     | 7161      |
| <b>AAV</b> | Special construction                                   | 7161      |
| <b>AAW</b> | Deduction for delayed return                           | 7161      |
| <b>AAX</b> | Wolfram surcharge                                      | 7161      |
| <b>AAZ</b> | Airport facilities                                     | 7161      |
| <b>AAZ</b> | Concession   | 7161      |
| <b>ABA</b> | Compulsory storage                                     | 7161      |
| <b>ABB</b> | Fuel removal   | 7161      |
| <b>ABC</b> | Into plane   | 7161      |
| <b>ABD</b> | Overtime   | 7161      |
| <b>ABE</b> | Reservicing charge                                     | 7161      |
| <b>ABF</b> | Tooling  | 7161      |
| <b>ABG</b> | Tooling charge   | 7161      |
| <b>ABH</b> | Throughput allowance                                   | 7161      |
| <b>ABI</b> | Superfund fee  | 7161      |
| <b>ABJ</b> | Airport system fee                                     | 7161      |
| <b>ABK</b> | Miscellaneous  | 7161      |
| <b>ABL</b> | Additional packaging                                   | 7161      |
| <b>ABM</b> | Scrap surcharge  | 7161      |
| <b>ABN</b> | Dunnage  | 7161      |

## Applicable codes

| Code       | Name/description                                       | Code list |
|------------|--|-----------|
| <b>ABO</b> | Air freight transportation                             | 7161      |
| <b>ABP</b> | Carriage charge  | 7161      |
| <b>ABQ</b> | Tonnage rebate   | 7161      |
| <b>ABR</b> | Containerisation                                       | 7161      |
| <b>ABS</b> | Carton packing   | 7161      |
| <b>ABT</b> | Hessian wrapped  | 7161      |
| <b>ABU</b> | Polyethylene wrap packing                              | 7161      |
| <b>ABV</b> | Miscellaneous customs charge                           | 7161      |
| <b>ABW</b> | Customs duty charge                                    | 7161      |
| <b>ABX</b> | Miscellaneous special tooling charge                   | 7161      |
| <b>ABY</b> | Tooling amortisation                                   | 7161      |
| <b>ABZ</b> | Miscellaneous rebate or discount                       | 7161      |
| <b>ACA</b> | Allowance  | 7161      |
| <b>ACB</b> | Future discount off retail                             | 7161      |
| <b>ACC</b> | Miscellaneous setting costs (tooling)                  | 7161      |
| <b>ACD</b> | Minimum amount costs for quantity based surcharges     | 7161      |
| <b>ACE</b> | Below schedule quantity after quantity-based surcharge | 7161      |
| <b>ACF</b> | Miscellaneous treatment                                | 7161      |
| <b>ACG</b> | Enamelling treatment                                   | 7161      |
| <b>ACH</b> | Heat treatment   | 7161      |
| <b>ACI</b> | Plating treatment                                      | 7161      |
| <b>ACJ</b> | Painting   | 7161      |
| <b>ACK</b> | Polishing  | 7161      |
| <b>ACL</b> | Priming  | 7161      |
| <b>ACM</b> | Preservation treatment                                 | 7161      |
| <b>ACN</b> | Miscellaneous other surcharges                         | 7161      |
| <b>ACO</b> | Alloy surcharge  | 7161      |
| <b>ACP</b> | Coke surcharge   | 7161      |
| <b>ACQ</b> | Royalty surcharge                                      | 7161      |
| <b>ACR</b> | Wheel handling charge                                  | 7161      |
| <b>ACS</b> | Fitting  | 7161      |
| <b>ACT</b> | Non-standard surcharge                                 | 7161      |
| <b>ACU</b> | Standard surcharge                                     | 7161      |
| <b>ACV</b> | Wheel surcharge  | 7161      |
| <b>ACW</b> | Washer surcharge                                       | 7161      |
| <b>ACX</b> | Ocean freight charge                                   | 7161      |
| <b>ACY</b> | Container deposit charge                               | 7161      |
| <b>ACZ</b> | Damaged merchandise                                    | 7161      |
| <b>ADA</b> | Bopsheet charge  | 7161      |
| <b>ADB</b> | Drum deposit   | 7161      |
| <b>ADC</b> | Consolidation  | 7161      |
| <b>ADD</b> | Inland transportation                                  | 7161      |
| <b>ADE</b> | Bill of lading   | 7161      |
| <b>ADF</b> | Excise tax-destination                                 | 7161      |
| <b>ADG</b> | Customs bond charge                                    | 7161      |
| <b>ADH</b> | Per pound charge                                       | 7161      |
| <b>ADI</b> | Royalties  | 7161      |
| <b>ADJ</b> | Airbag   | 7161      |
| <b>ADK</b> | Transfer   | 7161      |
| <b>ADL</b> | Slipsheet  | 7161      |

## Applicable codes

| Code       | Name/description  | Code list |
|------------|---|-----------|
| <b>ADM</b> | Binding   | 7161      |
| <b>ADN</b> | Repair or replacement of broken returnable package      | 7161      |
| <b>ADO</b> | Efficient logistics                                     | 7161      |
| <b>ADP</b> | Merchandising   | 7161      |
| <b>ADQ</b> | Product mix   | 7161      |
| <b>ADR</b> | Other services  | 7161      |
| <b>ADS</b> | Full pallet ordering                                    | 7161      |
| <b>ADT</b> | Pick-up   | 7161      |
| <b>ADU</b> | Handling by the 1st level sub-contractor                | 7161      |
| <b>ADV</b> | Handling by the 2nd level sub-contractor                | 7161      |
| <b>ADW</b> | Chronic illness   | 7161      |
| <b>ADX</b> | Handling by the contractor                              | 7161      |
| <b>ADY</b> | New product introduction                                | 7161      |
| <b>ADZ</b> | Direct delivery   | 7161      |
| <b>AEA</b> | Diversion   | 7161      |
| <b>AEB</b> | Disconnect  | 7161      |
| <b>AEC</b> | Distribution  | 7161      |
| <b>AED</b> | Handling of hazardous cargo                             | 7161      |
| <b>AEE</b> | Yearly turnover service                                 | 7161      |
| <b>AEF</b> | Rents and leases  | 7161      |
| <b>AEG</b> | System usage  | 7161      |
| <b>AEH</b> | Location differential                                   | 7161      |
| <b>AEI</b> | Aircraft refueling                                      | 7161      |
| <b>AEJ</b> | Fuel shipped into storage                               | 7161      |
| <b>AEK</b> | Cash on delivery  | 7161      |
| <b>AEL</b> | Small order processing service                          | 7161      |
| <b>AEM</b> | Clerical or administrative services                     | 7161      |
| <b>AEN</b> | Guarantee   | 7161      |
| <b>AEO</b> | Collection and recycling                                | 7161      |
| <b>AEP</b> | Copyright fee collection                                | 7161      |
| <b>AEQ</b> | Charge for exceeding agreed ordered quantity            | 7161      |
| <b>AER</b> | Automotive core charge                                  | 7161      |
| <b>AES</b> | Veterinary inspection service                           | 7161      |
| <b>AET</b> | Pensioner service                                       | 7161      |
| <b>AEU</b> | Medicine free pass holder                               | 7161      |
| <b>AEV</b> | Environmental protection service                        | 7161      |
| <b>AEW</b> | Environmental clean-up service                          | 7161      |
| <b>AEX</b> | National cheque processing service outside account area | 7161      |
| <b>AEY</b> | National payment service outside account area           | 7161      |
| <b>AEZ</b> | National payment service within account area            | 7161      |
| <b>AG</b>  | Silver surcharge  | 7161      |
| <b>AJ</b>  | Adjustments   | 7161      |
| <b>AL</b>  | Aluminium surcharge                                     | 7161      |
| <b>AM</b>  | Additional material                                     | 7161      |
| <b>AU</b>  | Authentication  | 7161      |
| <b>CA</b>  | Cataloguing   | 7161      |
| <b>CAA</b> | Cancellation charge                                     | 7161      |
| <b>CAB</b> | Cartage   | 7161      |
| <b>CAC</b> | Cash discount   | 7161      |
| <b>CAD</b> | Certification   | 7161      |

## Applicable codes

| Code       | Name/description                        | Code list |
|------------|---|-----------|
| <b>CAE</b> | Certificate of conformance              | 7161      |
| <b>CAF</b> | Certificate of origin                   | 7161      |
| <b>CAG</b> | Competitive allowance                   | 7161      |
| <b>CAH</b> | Competitive auto allowance              | 7161      |
| <b>CAI</b> | Cutting                                 | 7161      |
| <b>CAJ</b> | Consular service                        | 7161      |
| <b>CAK</b> | Customer collection                     | 7161      |
| <b>CAL</b> | Payroll payment service                 | 7161      |
| <b>CAM</b> | Cash transportation                     | 7161      |
| <b>CAN</b> | Home banking service                    | 7161      |
| <b>CAO</b> | Bilateral agreement service             | 7161      |
| <b>CAP</b> | Insurance brokerage service             | 7161      |
| <b>CAQ</b> | Cheque generation                       | 7161      |
| <b>CAR</b> | Preferential merchandising location     | 7161      |
| <b>CAS</b> | Crane                                   | 7161      |
| <b>CAT</b> | Special colour service                  | 7161      |
| <b>CAU</b> | Sorting                                 | 7161      |
| <b>CAV</b> | Battery collection and recycling        | 7161      |
| <b>CAW</b> | Product take back fee                   | 7161      |
| <b>CAX</b> | Quality control released                | 7161      |
| <b>CAY</b> | Quality control held                    | 7161      |
| <b>CAZ</b> | Quality control embargo                 | 7161      |
| <b>CB</b>  | Commission                              | 7161      |
| <b>CD</b>  | Car loading                             | 7161      |
| <b>CG</b>  | Cleaning                                | 7161      |
| <b>CK</b>  | COD charge                              | 7161      |
| <b>CL</b>  | Contract allowance                      | 7161      |
| <b>CO</b>  | Cents off                               | 7161      |
| <b>CP</b>  | Competitive price                       | 7161      |
| <b>CS</b>  | Cigarette stamping                      | 7161      |
| <b>CT</b>  | Count and recount                       | 7161      |
| <b>CW</b>  | Container allowance                     | 7161      |
| <b>DA</b>  | Defective allowance                     | 7161      |
| <b>DAA</b> | Deficit freight                         | 7161      |
| <b>DAB</b> | Layout/design                           | 7161      |
| <b>DAC</b> | Assortment allowance                    | 7161      |
| <b>DAD</b> | Driver assigned unloading               | 7161      |
| <b>DAE</b> | Distributor discount/allowance          | 7161      |
| <b>DAF</b> | Debtor bound                            | 7161      |
| <b>DAG</b> | Dealer allowance                        | 7161      |
| <b>DAH</b> | Allowance transferable to the consumer  | 7161      |
| <b>DAI</b> | Growth of business                      | 7161      |
| <b>DAJ</b> | Introduction allowance                  | 7161      |
| <b>DAK</b> | Multi-buy promotion                     | 7161      |
| <b>DAL</b> | Partnership                             | 7161      |
| <b>DAM</b> | Return handling                         | 7161      |
| <b>DAN</b> | Minimum order not fulfilled charge      | 7161      |
| <b>DAO</b> | Point of sales threshold allowance      | 7161      |
| <b>DAP</b> | Wholesaling discount                    | 7161      |
| <b>DAQ</b> | Documentary credits transfer commission | 7161      |

## Applicable codes

| Code       | Name/description                       | Code list |
|------------|--|-----------|
| <b>DDA</b> |  | 7161      |
| <b>DI</b>  | Discount                               | 7161      |
| <b>DL</b>  | Delivery                               | 7161      |
| <b>DM</b>  | Demurrage                              | 7161      |
| <b>EAA</b> | Early buy allowance                    | 7161      |
| <b>EAB</b> | Early payment allowance                | 7161      |
| <b>EG</b>  | Engraving                              | 7161      |
| <b>EP</b>  | Expediting                             | 7161      |
| <b>ER</b>  | Exchange rate guarantee                | 7161      |
| <b>EX</b>  | Export shipping charge                 | 7161      |
| <b>FA</b>  | Freight allowance                      | 7161      |
| <b>FAA</b> | Fabrication                            | 7161      |
| <b>FAB</b> | Freight equalization                   | 7161      |
| <b>FAC</b> | Freight extraordinary handling         | 7161      |
| <b>FC</b>  | Freight service                        | 7161      |
| <b>FG</b>  | Free goods                             | 7161      |
| <b>FH</b>  | Filling/handling                       | 7161      |
| <b>FI</b>  | Financing                              | 7161      |
| <b>FN</b>  | Special finish charge                  | 7161      |
| <b>FR</b>  | Flat rate                              | 7161      |
| <b>GAA</b> | Grinding                               | 7161      |
| <b>HAA</b> | Hose                                   | 7161      |
| <b>HD</b>  | Handling                               | 7161      |
| <b>HH</b>  | Hoisting and hauling                   | 7161      |
| <b>IA</b>  | Invoice adjustment                     | 7161      |
| <b>IAA</b> | Installation                           | 7161      |
| <b>IAB</b> | Installation and warranty              | 7161      |
| <b>ID</b>  | Inside delivery                        | 7161      |
| <b>IF</b>  | Inspection                             | 7161      |
| <b>IN</b>  | Insurance                              | 7161      |
| <b>IR</b>  | Installation and training              | 7161      |
| <b>IS</b>  | Invoicing                              | 7161      |
| <b>KO</b>  | Koshering                              | 7161      |
| <b>L1</b>  | Carrier count                          | 7161      |
| <b>LA</b>  | Labelling                              | 7161      |
| <b>LAA</b> | Labour                                 | 7161      |
| <b>LAB</b> | Repair and return                      | 7161      |
| <b>LAC</b> | License fee                            | 7161      |
| <b>LF</b>  | Legalisation                           | 7161      |
| <b>LS</b>  | Local sales tax                        | 7161      |
| <b>MA</b>  | Material allowance (special materials) | 7161      |
| <b>MAA</b> | Mileage or travel                      | 7161      |
| <b>MAB</b> | Mileage fee (for repair and return)    | 7161      |
| <b>MAC</b> | Minimum order/minimum billing charge   | 7161      |
| <b>MAD</b> | Monthly rental                         | 7161      |
| <b>MAE</b> | Mounting                               | 7161      |
| <b>MC</b>  | Material surcharge (special materials) | 7161      |
| <b>MI</b>  | Mail invoice                           | 7161      |
| <b>ML</b>  | Mail invoice to each location          | 7161      |
| <b>NAA</b> | Non-returnable containers              | 7161      |

## Applicable codes

| Code       | Name/description                | Code list |
|------------|---------------------------------|-----------|
| <b>OA</b>  | Outside cable connectors        | 7161      |
| <b>OAA</b> | Overtime loading                | 7161      |
| <b>PA</b>  | Invoice with shipment           | 7161      |
| <b>PAA</b> | Phosphatizing (steel treatment) | 7161      |
| <b>PAB</b> | Postage charge                  | 7161      |
| <b>PAC</b> | Premium charge                  | 7161      |
| <b>PAD</b> | Promotional allowance           | 7161      |
| <b>PAE</b> | Promotional discount            | 7161      |
| <b>PC</b>  | Packing                         | 7161      |
| <b>PD</b>  | Palladium surcharge             | 7161      |
| <b>PI</b>  | Pick-up allowance               | 7161      |
| <b>PL</b>  | Palletizing                     | 7161      |
| <b>PN</b>  | Pallet charge                   | 7161      |
| <b>PO</b>  | Per order charge                | 7161      |
| <b>QAA</b> | Quantity surcharge              | 7161      |
| <b>QD</b>  | Quantity discount               | 7161      |
| <b>RAA</b> | Rebate                          | 7161      |
| <b>RAB</b> | Repacking                       | 7161      |
| <b>RAC</b> | Repair                          | 7161      |
| <b>RAD</b> | Returnable container            | 7161      |
| <b>RAE</b> | Resellers discount              | 7161      |
| <b>RAF</b> | Restocking                      | 7161      |
| <b>RAG</b> | Roll rebate                     | 7161      |
| <b>RAH</b> | Road/rail tanker rebate         | 7161      |
| <b>RE</b>  | Re-delivery                     | 7161      |
| <b>RF</b>  | Refurbishing                    | 7161      |
| <b>RH</b>  | Rail wagon hire                 | 7161      |
| <b>RO</b>  | Roe allowance/charge            | 7161      |
| <b>RP</b>  | Repair charge                   | 7161      |
| <b>RV</b>  | Loading                         | 7161      |
| <b>SA</b>  | Salvaging                       | 7161      |
| <b>SAA</b> | Shipping and handling           | 7161      |
| <b>SAB</b> | Special allowance               | 7161      |
| <b>SAC</b> | Special credit                  | 7161      |
| <b>SAD</b> | Special packaging               | 7161      |
| <b>SAE</b> | Stamping                        | 7161      |
| <b>SAF</b> | Supplemental items              | 7161      |
| <b>SAG</b> | Surcharge (dollar value)        | 7161      |
| <b>SAH</b> | Surcharge (percentage)          | 7161      |
| <b>SAI</b> | Consignee unload                | 7161      |
| <b>SAJ</b> | Small packages charge           | 7161      |
| <b>SC</b>  | Surcharge                       | 7161      |
| <b>SD</b>  | Shrinkage allowance             | 7161      |
| <b>SF</b>  | Special rebate                  | 7161      |
| <b>SG</b>  | Shrink-wrap                     | 7161      |
| <b>SH</b>  | Special handling                | 7161      |
| <b>SM</b>  | Special finish                  | 7161      |
| <b>ST</b>  | Stamp duties                    | 7161      |
| <b>SU</b>  | Set-up                          | 7161      |
| <b>SZ</b>  | Steel surcharge                 | 7161      |

## Applicable codes

| Code   | Name/description                                    | Code list |
|--|---|-----------|
| <b>TAA</b>                                       | Telephone charge                                    | 7161      |
| <b>TAB</b>                                       | Tank renting  | 7161      |
| <b>TAC</b>                                       | Testing   | 7161      |
| <b>TAD</b>                                       | Testing allowance                                   | 7161      |
| <b>TAE</b>                                       | Truckload discount                                  | 7161      |
| <b>TD</b>  | Trade discount                                      | 7161      |
| <b>TS</b>  | State tax   | 7161      |
| <b>TT</b>  | Transportation - third party billing                | 7161      |
| <b>TV</b>  | Transportation by vendor                            | 7161      |
| <b>TX</b>  | Tax   | 7161      |
| <b>TZ</b>  | Temporary allowance                                 | 7161      |
| <b>UM</b>  | Unsaleable merchandise allowance                    | 7161      |
| <b>V1</b>  | Drop yard   | 7161      |
| <b>V2</b>  | Drop dock   | 7161      |
| <b>VAA</b>                                       | Vendor freight                                      | 7161      |
| <b>VAB</b>                                       | Volume discount                                     | 7161      |
| <b>VL</b>  | Vehicle load allowance                              | 7161      |
| <b>WH</b>  | Warehousing   | 7161      |
| <b>XAA</b>                                       | Combine all same day shipment                       | 7161      |
| <b>YY</b>  | Split pick-up                                       | 7161      |
| <b>ZZZ</b>                                       | Mutually defined                                    | 7161      |
| <b>7297 Set type code qualifier</b>              |   |           |
| Code   | Name/description                                    | Code list |
| <b>4</b>   | Vehicle reference set                               | 7297      |
| <b>7405 Object identification code qualifier</b> |   |           |
| Code   | Name/description                                    | Code list |
| <b>XA</b>  | JIS call-off group                                  | JAI040    |
| <b>AN</b>  | Manufacturing reference number                      | 7405      |
| <b>BL</b>  | Vehicle registration number                         | 7405      |
| <b>BN</b>  | Serial number                                       | 7405      |
| <b>VV</b>  | Vehicle identity number                             | 7405      |
| <b>8051 Transport stage code qualifier</b>       |   |           |
| Code   | Name/description                                    | Code list |
| <b>12</b>  | At departure  | 8051      |
| <b>8067 Transport mode name code</b>             |   |           |
| Code   | Name/description                                    | Code list |
| <b>C</b>   | Consolidation                                       | JAI002    |
| <b>CE</b>  | Customer Pickup Customer Expense                    | JAI002    |
| <b>D</b>   | Parcel Post   | JAI002    |
| <b>E</b>   | Expedited Truck                                     | JAI002    |
| <b>H</b>   | Customer Pickup                                     | JAI002    |
| <b>U</b>   | Private Parcel Service                              | JAI002    |
| <b>10</b>  | Maritime transport                                  | 8067      |
| <b>12</b>  | A railway wagon on a vessel at sea                  | 8067      |
| <b>20</b>  | Rail transport                                      | 8067      |
| <b>23</b>  | Trailers or road vehicles being transported by rail | 8067      |
| <b>30</b>  | Road transport                                      | 8067      |

## Applicable codes

| Code      | Name/description              | Code list |
|-----------|-------------------------------|-----------|
| <b>40</b> | Air transport                 | 8067      |
| <b>50</b> | Mail                          | 8067      |
| <b>60</b> | Multimodal transport          | 8067      |
| <b>70</b> | Fixed transport installations | 8067      |
| <b>80</b> | Inland water transport        | 8067      |
| <b>90</b> | Mode unknown                  | 8067      |

### 8457 Excess transportation reason code

| Code       | Name/description  | Code list |
|------------|---|-----------|
| <b>A</b>   | Special rail car order, schedule increase forecast change   | 8457      |
| <b>B</b>   | Engineering change or late release                          | 8457      |
| <b>C</b>   | Specification (schedule) error/overbuilding                 | 8457      |
| <b>D</b>   | Shipment tracing delay                                      | 8457      |
| <b>E</b>   | Plant inventory loss  | 8457      |
| <b>F</b>   | Building ahead of schedule                                  | 8457      |
| <b>G</b>   | Vendor behind schedule                                      | 8457      |
| <b>H</b>   | Failed to include in last shipment                          | 8457      |
| <b>I</b>   | Carrier loss claim  | 8457      |
| <b>J</b>   | Transportation failure                                      | 8457      |
| <b>K</b>   | Insufficient weight for carload                             | 8457      |
| <b>L</b>   | Reject or discrepancy (material rejected in prior shipment) | 8457      |
| <b>M</b>   | Transportation delay  | 8457      |
| <b>N</b>   | Lack of railcar or railroad equipment                       | 8457      |
| <b>P</b>   | Releasing error   | 8457      |
| <b>R</b>   | Record error or cate reported discrepancy report            | 8457      |
| <b>T</b>   | Common or peculiar part schedule increase                   | 8457      |
| <b>U</b>   | Alternative supplier shipping for responsible supplier      | 8457      |
| <b>V</b>   | Direct schedule or locally controlled                       | 8457      |
| <b>W</b>   | Purchasing waiver approval                                  | 8457      |
| <b>X</b>   | Authorization code to be determined                         | 8457      |
| <b>Y</b>   | Pilot material  | 8457      |
| <b>ZZZ</b> | Mutually defined  | 8457      |

### 8459 Excess transportation responsibility code

| Code       | Name/description                    | Code list |
|------------|-------------------------------------|-----------|
| <b>A</b>   | Customer plant (receiving location) | 8459      |
| <b>B</b>   | Material release issuer             | 8459      |
| <b>S</b>   | Supplier authority                  | 8459      |
| <b>X</b>   | Responsibility to be determined     | 8459      |
| <b>ZZZ</b> | Mutually defined                    | 8459      |

### 9213 Duty regime type code

| Code     | Name/description                        | Code list |
|----------|---|-----------|
| <b>N</b> | No, origin is not subject to preference | JAI010    |
| <b>Y</b> | Yes, origin is subject to preference    | JAI010    |

### 9649 Processing information code qualifier

| Code      | Name/description    | Code list |
|-----------|---------------------|-----------|
| <b>LC</b> | Logistics cost      | JAI013    |
| <b>OM</b> | Other material      | JAI013    |
| <b>PM</b> | Production material | JAI013    |



## Applicable codes

| Code     | Name/description | Code list |
|----------|------------------|-----------|
| <b>S</b> | Service          | JAI013    |
| <b>2</b> | Accounting data  | 9649      |