

Mercedes-Benz

Electronic Data Interchange Manual (EDI)


03. Pick-Up-Sheet data

ALD00001294

Contact

Within the Pick-Up-Sheet enablement:
Deloitte Consulting Solutions GmbH

 PUS_Mercedes-Benz@deloitte.de


 +49 341 9927 0440

Service times: Mon-Thu 8:00-16:00 o'clock | Fri 8:00-15:00 o'clock

Contact

Within the Pick-Up-Sheet serial process:
Mercedes-Benz Group Services Berlin GmbH

 mbox-intosc-support@mercedes-benz.com

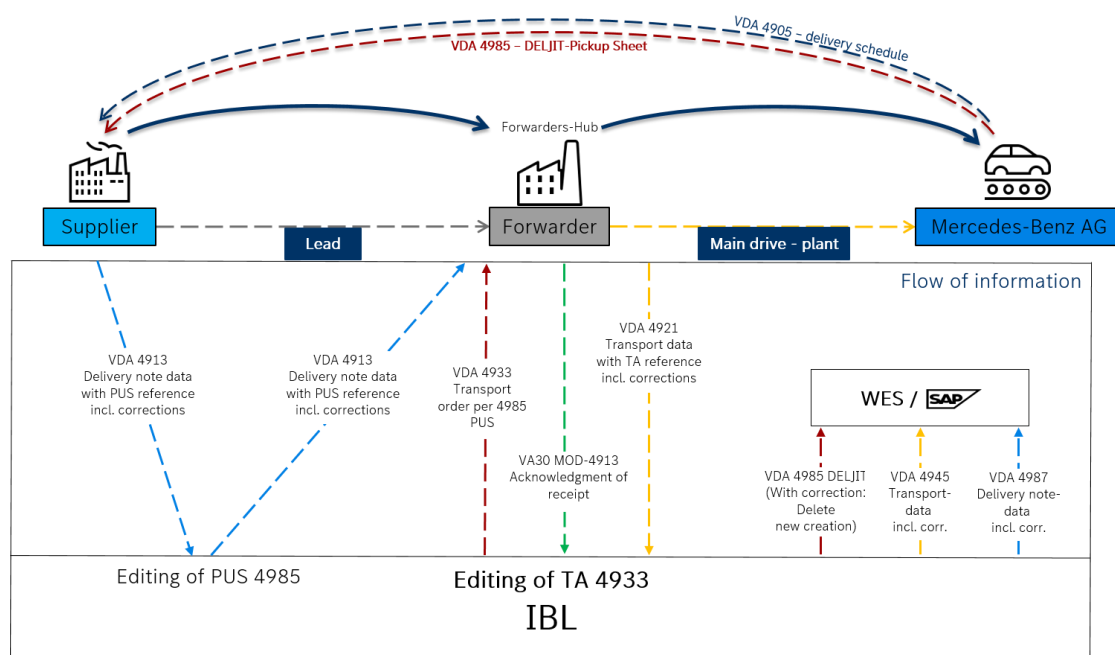
 Table of contents

1. Pick-up sheet data according to VDA 4985.....	3
1.1. Brief description of pick-up sheets	3
1.2. Objectives of the pick-up sheet EDI VDA 4985	3
1.3. Structure of VDA 4985 messages	4
1.4. Notes on the segments.....	5
1.5. Delivery note structure.....	5
1.6. Data transmission	6
1.7. VDA4985 Guideline	6

Pick-up sheet data according to VDA 4985

Brief description of pick-up sheets

In addition to the call-off, pick-up sheets (PUS) in accordance with the VDA 4985 standard will also be transmitted to the supplier in the future. The pick-up sheets, which are transmitted to the supplier, contain specific order quantities and the pick-up and delivery dates. The message transmitted to the supplier also contains the pick-up sheet reference. The pick-up sheet is used by the supplier to precisely plan production and the provision of goods. In addition to the EDI message, the pick-up sheet can be viewed via the DQM function of the IBL platform.



Objectives of the pick-up sheet EDI VDA 4985

- A precise call-off of demand by means of the transmission of specific information (pick-up quantity and day)
- The call-off continues to serve as a rough estimate
- Ordering of transport from the freight forwarder by MBAG
- Greater transparency within the supply chain
- Optimization of truck utilization

Structure of VDA 4985 messages

The format can be downloaded from VDA 4985 Recommendation under <http://www.VDA.de>. Mercedes-Benz AG-specific information can be taken from the VDA 4985 Guideline in the Supplier Portal.

Level	DELJIT	
1	BGM	Customer (M) Supplier (K) Sender of goods (M) Recipient of goods (M) Delivery/pick-up date and time
2	SG4	Unloading point 1) Warehouse PUS, call-off or KANBAN no.
3	SG8	Item number Order number 2) Consumption point Quantity Packaging instruction

- 1) Location where goods are to be delivered to the recipient/plant, code e.g. for ramp/gate (VDA 5002)
- 2) Order number = delivery plan or framework agreement

A DELJIT message pertains to a specific delivery. The partners involved and the delivery date or pick-up date are specified in the header. After this, the DELJIT message features 2 group levels: the first group is triggered by the unloading point, and the second group is triggered by the item number/part number.

Notes on the segments



Along with other information, the following fields are transmitted to the supplier in the pick-up sheet EDI in the VDA 4985 format. **These fields are binding and must be transmitted back to MBAG with the delivery note EDI (VDA 4913):**

Field	Segment VDA 4985	Record type + position	
VDA 4913			
Document number - PUS number	BGM+340	713	20
Pick-up date	DTM+235	712	06
Position data - customer item number	LIN+1	714	03

Delivery note structure

Due to the implementation of the Pick-Up-Sheet process there are new conditions in regards to the delivery note structure (VDA4913 – see chapter 04. Delivery note and transport data_ENU as published in the supplier portal). To support existing processes, Mercedes-Benz AG offers the following two options to transmit delivery notes.:

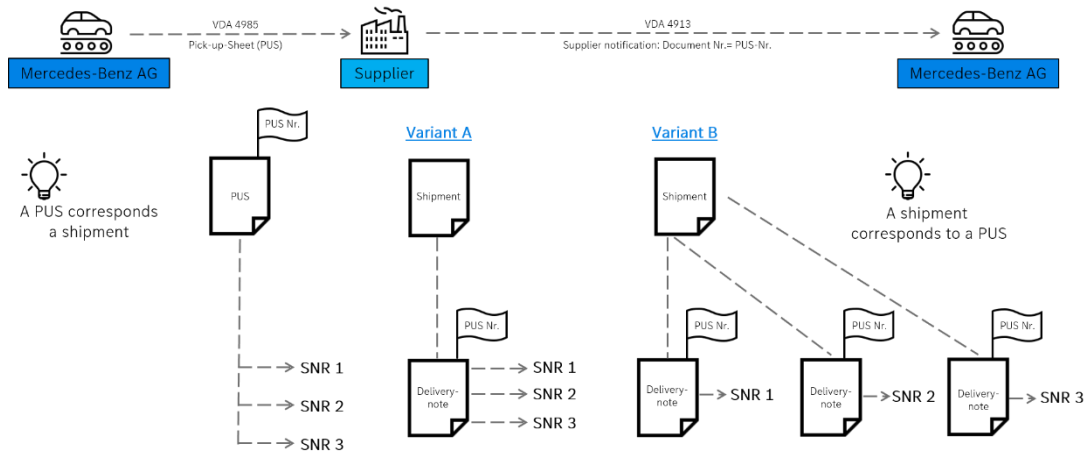
Option A:

One delivery note will be transmitted per consignment including all customer item numbers as mentioned in the Pick-Up-Sheet.

Option B:

Several delivery notes will be transmitted per consignment each including one customer item number as mentioned in the Pick-Up-Sheet.

Note: Only options A and B ensure a defect free execution of the Pick-Up-Sheet process. The Pick-Up-Sheet reference must be transmitted in the field document number of the relevant delivery note regardless of the selected option. When using Option B the Pick-Up-Sheet reference has to match within all delivery notes belonging to the same consignment.



Note: Please note it is mandatory to use the above delivery note structure in the Pick-Up-Sheet process. Failure to comply with these rules will disrupt the data flow which will lead to process disruptions. Furthermore we reserve the right to charge these disruptions as per MBST.

Data transmission

The Pick-Up-Sheet EDI message VDA4985 / DELJIT will be transmitted for all Mercedes-Benz AG plants using the EDI parameters of Mercedes-Benz AG plant Sindelfingen:SFID: 00013000560MB050000

- SFID: 00013000560MB050000
- VFN: MB050ZP3B
- UNB-Sending Code: 00013000560MB050000.

The relevant information, i.e. Customer plant have to be taken from the information inside the message. The EDI parameters the supplier uses for transmitting the delivery note EDI are not affected and have to be used plant-specific.

VDA4985 Guideline

Detailed information on the implementation of the VDA 4985 standard at Mercedes-Benz AG can be found in the Supplier Portal.