

<b>VDA</b>	Use of APERAK messages for standardised acknowledgements of receipt and error communication for invoicing documents	<b>4938</b> <b>T5</b>
------------	---------------------------------------------------------------------------------------------------------------------	--------------------------

This recommendation describes the standardised exchange of feedback messages, and in particular error messages and warnings, concerning the processing of invoice documents conforming to VDA 4938 T2.

This recommendation is the result of the work of the VDA Working Group "Invoicing Processes".

**Version 1.0 of September 2015**

**WG Invoicing Processes**

Publisher: Verband der Automobilindustrie  
Behrenstrasse 35  
Postfach 8 04 62  
10004 Berlin  
Telephone +49 (0)30 897842-221  
Fax +49 (0)30 897842-606

Copyright  
Reprint, also in extracts,  
is only permitted  
if the source is stated.  
Internet: [www.vda.de](http://www.vda.de)



## Disclaimer

VDA Recommendations are available for anyone to use. Users are responsible for correct application of the recommendations from case to case.

The recommendations take into account the prevailing state-of-the art at the time of publication. Use of the VDA Recommendations does not absolve anyone from responsibility for his/her own actions. Users thus act at their own risk. Liability of VDA and those involved in drafting of VDA Recommendations is excluded.

Anyone noticing errors or the possibility of incorrect interpretation when applying the VDA Recommendations is requested to notify VDA of this promptly so that any errors can be rectified.

## Table of contents

1	Introduction .....	4
2	Process description .....	4
2.1	Acknowledgement of receipt.....	4
2.2	Checking of incoming data.....	4
2.2.1	Syntax check.....	4
2.2.2	Specific syntax check.....	5
2.2.3	Plausibility/validation check at target (receiving) system .....	5
3	Examples of syntax check result communication.....	8
3.1	Correct data interchange - APERAK message serving as acknowledgment only .....	8
3.2	One message rejected, other message(s) forwarded for processing .....	9
3.3	Entire interchange file rejected .....	11
4	Example of communication of content check result.....	12
5	Comments.....	15
6	Appendix - error codes.....	16
7	Annexe: EDIFACT Guideline.....	22
<b>1</b>	<b>INTERCHANGE STRUCTURE .....</b>	<b>23</b>
	Message structure.....	25
	Branching diagram.....	26
	Segment details .....	28
	Permitted Codes.....	51

## 1 Introduction

Apart from commercial and managerial aspects, auditing of the accounts is guided by comprehensive statutory regulations, in particular the rules governing value-added tax. All business partners have an interest that any errors are identified and communicated early, efficiently and unambiguously so that the necessary corrections can be made. At the same time, it is crucial that the reason why an invoice has not been processed is recorded in an accurate and transparent manner. These requirements concern both printed and electronic invoices, but are even more relevant for structured electronic invoices, as technical error logs provide little useful information for non-technical staff such as accountants, office managers and auditors who need to sort out the problem.

This recommendation aims at establishing standardised error reports that are content-related, transparent and traceable in order to identify the actual errors at a business administration level. If required, it must be possible to transmit these reports electronically and automatically to the invoicing party for correction. The reports and related data must also be available for visualisation.

## 2 Process description

### 2.1 Acknowledgement of receipt

As a rule, all transfers of invoice data must be documented, and the system must ensure that an acknowledgement of receipt is sent by the recipient of the invoice. Where the recommended OFTP/OFTP2 exchange protocol is used, end-to-end response should be enabled, as this is the tool by which the recipient's system acknowledges the receipt of the data file. Where other transfer methods are chosen, i.e. VAN (Value Added Networks), additional user intervention is required. If APERAK messages are only to be generated and sent to the invoice sender in the event of an error, the parties might agree that the CONTRL message is to constitute the acknowledgement of receipt. Most modern EDI systems already include this function so that it only needs to be activated. For details regarding the use of CONTRL messages, see VDA Recommendation 4937.

### 2.2 Checking of incoming data

The check of the incoming invoice data is performed in three steps:

#### 2.2.1 Syntax check

General syntax check: the message is checked according to the criteria of the respective UN/EDIFACT message type (here: UNSM INVOIC) in the respective directory (e.g. 07.A). Deviations in the structure, incorrect segment codes, inconsistent message or segment counters and errors in the structure of the service segments result in a rejection of the message. Depending on the configuration of the target system, a notification to this fact might be generated and sent automatically. Serious errors result in the rejection of the interchange file or of individual interchange messages. It is however possible to generate and send a message, even if the data transfer has been completed successfully and without errors. Such a message serves as an acknowledgement of receipt and can be useful, if the data is not sent directly to the business

partner, as, in such a case, the communication log does not include any information regarding receipt of the invoice by the end recipient.

### 2.2.2 Specific syntax check

The specific syntax check evaluates the data against the criteria in the actual user manual (i.e. Message Implementation Guideline - MIG). In this process, the program checks whether the mandatory information is complete (e.g. in the form of specific qualified segments) and whether the code is correct.

### 2.2.3 Plausibility/validation check at target (receiving) system

The validity check is performed by the receiving EDI system in order to determine whether the message is plausible and/or valid with regard to the actual message context. In this process, internal issues such as correct total amounts as well as statutory requirements are considered (e.g. for customers and suppliers based in EU member states where not VAT is to be charged, the VAT ID no. must be included). If there are no errors, the message is forwarded for processing (e.g. in the invoice processing system). This also happens with error-free invoices that trigger a warning. If there are errors, an APERAK message is generated, containing information regarding the error(s).

Check for correct data content: the target system processes the message. In this process, the target system checks the actual data content (e.g. valid supplier/customer address, order number, etc.). If there are errors, a second APERAK message can be generated, containing information regarding the error(s).

In many programs, step 1 and 2 are no longer clearly separated and are performed simultaneously rather than consecutively. All errors and warnings that occur during the first check (steps 1 and 2) are logged and transmitted in the form of a message. For this reason, and with a view of keeping the implementation costs of the parties as low as possible, we recommend that the check results are communicated only through APERAK messages and that no separate CONTRL messages for the formal syntax check are generated.

The procedures involved in the various checks are summarised in figure 1.

An EDIFACT interchange file consist of an interchange frame (segments UNA (optional) and UNB at the start of the file) and an UNZ segment at the end of the file. Between these segments, 1...n individual messages from UNH to UNT are placed.

Interchange frame	Message frame	Message	Comment
UNA			Service string advice (recommended)
UNB			Interchange header
	UNH (#1)		Header of 1st message
		BGM	Content of message
		...	
	UNT		Trailer of 1st message
	UNH (#2)		Header of 2nd message

		BGM	Content of message
		...	
	UNT		Trailer of 2nd message
	...		
UNZ			Interchange file trailer

Errors might concern the actual data exchange, i.e. the interchange file, or individual messages contained in the interchange file.

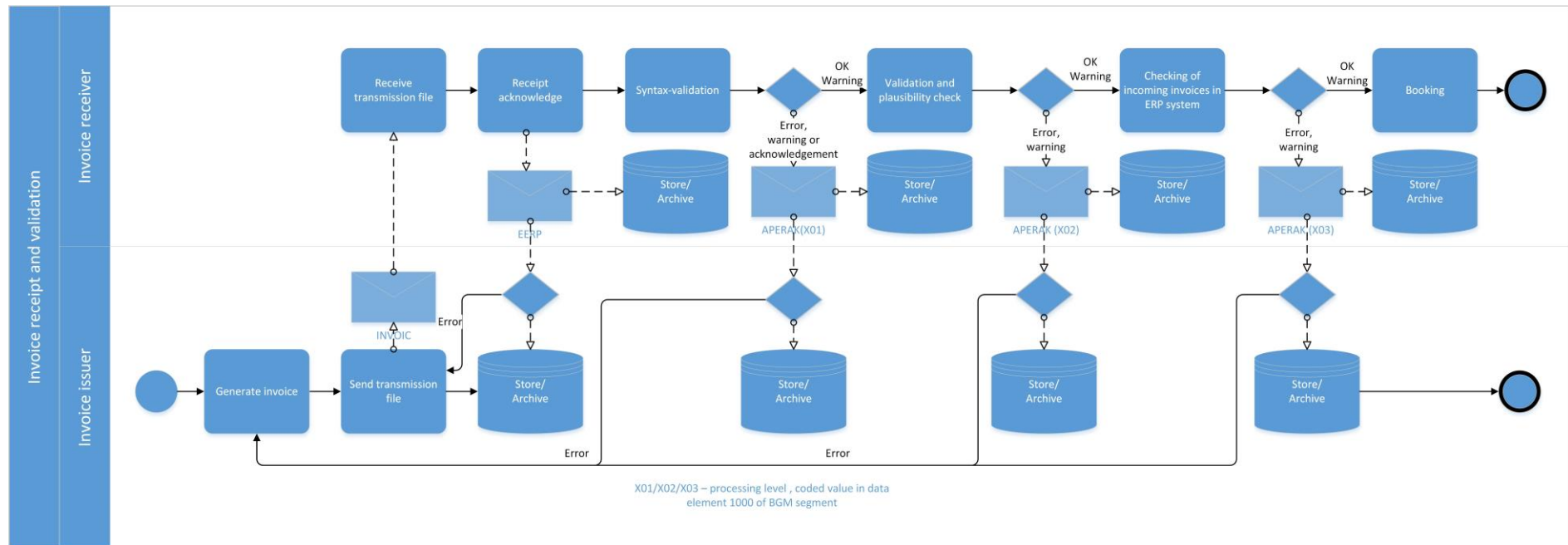


Fig. 1 - Process steps of message check

### 3 Examples of syntax check result communication

#### 3.1 Correct data interchange - APERAK message serving as acknowledgment only

In certain cases, it might be useful to generate and send a message as a means of acknowledgment of receipt. This is especially the case in networks where there is no direct connection between the sender of the invoice and its recipient. Such a method is for instance used in VANs (Value Added Networks) where messages might be transferred through multiple networks to reach the recipient. In this case, a message may be useful after the first check (e.g. syntax check only) is completed, even if no errors or warnings occurred.

Structure of original message			Content of APERAK message
UNA			UNA:+.?'
UNB	Interchange 12345		UNB+UNOC:3+O0177X001FINANZ:59+O0013:59:X+150724:1622+20150724153322'
	UNH #1		UNH+1+APERAK:D:08A:UN:GAVJ10'
		BGM	BGM+305:::X01+232221+9'
		Invoice 1001	DTM+137:20150724:102'
	UNT		FTX+ABV+++Acknowledgment of receipt?: Data interchange 12345 from 24.07.205 has been received and the syntax check was completed WITHOUT errors or warnings. The messages are forwarded for incoming invoice processing.'
	UNH #2		CNT+55:0'
		BGM	RFF+INN:12345'
		Invoice 1002...	DTM+171:201507240813:203'
	UNT		NAD+MS+87654321::91++Berliner Autobau AG'
	...		CTA+IC+:Herta Müller'
UNZ			COM+030 8978 40999:TE'
			NAD+MR+12345678::92++Supplier Ltd.'
			ERC+M000::10'
			UNT+14+1'
			UNZ+1+20150724153322'

Segments of APERAK message:

Segment	Content
UNA:+.?'	Service string advice
UNB+UNOC:3+O0177X001FINANZ:59+O0013:59:X+150724:1622+20150724153322	Start of interchange, identification of sending and receiving stations, date, time and reference number of interchange file
UNH+1+APERAK:D:08A:UN:GAVJ10'	Start segment of APERAK message
BGM+305:::X01+232221+9'	Message type (305 = application error and acknowledgement), X01 = syntax check, message reference number and code as original
DTM+137:20150724:102'	Date of message
FTX+ABV+++acknowledgment of receipt?: Data interchange 12345 from 24.07.205 has been received and the syntax check was completed WITHOUT	Content in the form of text Acknowledgement of receipt: Data interchange 12345 from 24.07.205 has been received and the syntax check was completed



errors or warnings. The messages are forwarded for incoming invoice processing.'	WITHOUT errors or warnings. The messages are forwarded for incoming invoice processing.'
CNT+55:0'	Number of errors: 0
RFF+INN:12345'	Reference number of checked interchange file: 12345
DTM+171:201507240813:203'	Date/time of checked interchange file
NAD+MS+87654321::91++Berliner Autobau AG'	Sender of APERAK message
CTA+IC+:Herta Müller'	Sender contact
COM+030 8978 40999:TE'	Phone number
NAD+MR+12345678::92++Supplier Ltd.'	Recipient of APERAK message
ERC+M000::10'	Error code: M000 no errors detected at this level
UNT+14+1'	Message trailer
UNZ+1+20150724153322'	Interchange file trailer

### 3.2 One message rejected, other message(s) forwarded for processing

Interchange 12345 contains multiple invoices. Invoice number 1002 contains errors and is rejected (incorrect number of segments in UNT segment).

Structure of original message		Content of APERAK message
UNA		UNA:+.? '
UNB	Interchange 12345	UNB+UNOC:3+00177X001FINANZ:59+00013:59:X+1507 24:1622+20150724153322'
	UNH #1	UNH+1+APERAK:D:08A:UN:GAVJ10'
	BGM	BGM+305::X01+232221+9'
	Invoice 1001	DTM+137:20150724:102'
	UNT	FTX+ABV+++Check report?::-----:Your message contains 00 error(s) and 00 warning(s):The message has been forwarded for incoming invoice processing.:X+DE'
	UNH #2	CNT+55:0'
	BGM	RFF+IV:1001'
	Invoice 1002...	RFF+INN:12345'
	UNT	DTM+171:201507240813:203'
	...	NAD+MS+87654321::91++Berliner Autobau AG'
UNZ		CTA+IC+:Herta Müller' COM+030 8978 40999:TE' NAD+MR+12345678::92++Supplier Ltd.' ERC+M000::10' UNT+14+1' UNH+2+APERAK:D:08A:UN:GAVJ10' BGM+305::X01+232222+9' DTM+137:20150724:102' FTX+ABV+++Check report?::-----:This message contains a list of the fields with errors in your VDA4938 message?:Your message contains 01 error(s) and 00 warning(s)?::X+DE' FTX+ABV+++Please correct the incorrectly completed fields and transfer the invoice again.:Your invoice data is NOT being processed in system XXX!:Please resubmit your invoice.:For instructions regarding VDA 4938 invoices and

			<p>the error report, please refer to?:www.berlin-auto.de/vda4938-guide.htm+DE'</p> <p>CNT+55:0'</p> <p>RFF+IV:1002'</p> <p>NAD+MS+87654321::91++Berliner Autobau AG'</p> <p>CTA+IC+:Herta Müller'</p> <p>COM+030 8978 40999:TE'</p> <p>NAD+MR+12345678::92++Supplier Ltd.'</p> <p>ERC+N003::10'</p> <p>FTX+AAO++E+UNT[65].0075:Actual value?: 53 - Setpoint value?: 65'</p> <p>RFF+AWL:65:1'</p> <p>UNT+18+2'</p> <p>UNZ+2+20150724153322'</p>
--	--	--	------------------------------------------------------------------------------------------------------------------------------------------------------------------------------------------------------------------------------------------------------------------------------------------------------------------------------------------------------------------------------------------------------------------------------------------------

Explanation re. APERAK message:

UNA:+.?'	Service string advice
UNB+UNOC:3+O0177X001FINANZ:59+O00 13:59:X+150724:1622+20150724153322'	Start of interchange, identification of sending and receiving stations, date, time and reference number of interchange file
UNH+1+APERAK:D:08A:UN:GAVJ10'	Start segment of 1st APERAK message
BGM+305::X01+232221+9'	Message type (305 = application error and acknowledgement), X01 = syntax check, message reference number and code as original
DTM+137:20150724:102'	Date of message
FTX+ABV+++Check report?:----- ---:Your message contains 00 error(s) and 00 warning(s):The message has been forwarded for incoming invoice processing.:X+DE'	Result in the form of a text message
CNT+55:0'	Number of errors: 0
RFF+IV:1001'	Invoice number
RFF+INN:12345'	Interchange reference number
DTM+171:201507240813:203'	Date of interchange file
NAD+MS+87654321::91++Berliner Autobau AG'	Sender of APERAK message
CTA+IC+:Herta Müller'	Sender contact
COM+030 8978 40999:TE'	Phone number
NAD+MR+12345678::92++Supplier Ltd.'	Recipient of APERAK message
ERC+M000::10'	Error code: M000 no errors detected at this level
UNT+14+1'	End of 1st APERAK message
UNH+2+APERAK:D:08A:UN:GAVJ10'	Start segment of 2nd APERAK message
BGM+305::X01+232222+9'	Message type (305 = application error and acknowledgement), X01 = syntax check, message reference number and code as original
DTM+137:20150724:102'	Date of message
FTX+ABV+++Check report?:----- ---:This message contains a list of the fields with errors in your VDA4938 message?:Your message contains 01 error(s) and 00	Result in the form of a text message

warning(s)?::X+DE'	
FTX+ABV+++Please correct the incorrectly completed fields and transfer the invoice again.:Your invoice data is NOT being processed in system XXX!:Please resubmit your invoice.:For instructions regarding VDA4938 invoices and the error report, please refer to?:www.berlin-auto.de/vda4938-guide.htm+DE'	
CNT+55:1'	Number of errors: 1
RFF+IV:1002'	Invoice number 1002
NAD+MS+87654321::91++Berliner Autobau AG'	Sender of APERAK message
CTA+IC+:Herta Müller'	Sender contact
COM+030 8978 40999:TE'	Phone number
NAD+MR+12345678::92++Supplier Ltd.'	Recipient of APERAK message
ERC+N003::10'	Error code: N003 = UNT: Number of segments with errors in message
FTX+AAO++E+UNT[65].0075:Actual value?: 53 - Setpoint value?: 65: UNT: Number of segments with errors in message '	Location and description of error
RFF+AWL:65:1'	Position of error in message
UNT+18+2'	End of 2nd APERAK message
UNZ+2+20150724153322'	Interchange file trailer

### 3.3 Entire interchange file rejected

Structure of original message			Content of APERAK message
UNA			UNA:+.? '
UNB			UNB+UNOC:3+00177X001FINANZ:59+00013:59:X+150724:1622+20150724153322'
	UNH #1		24:1622+20150724153322'
		BGM	UNH+2+APERAK:D:08A:UN:GAVJ10'
		Invoice 1002	BGM+305::X01+232223+9'
	UNT		DTM+137:20150724:102'
	UNH #2		FTX+ABV+++Check report?::-----:This message contains a list of the fields with errors in your VDA4938 message?:Your message contains 01 error(s) and 00 warning(s)?::+DE'
		BGM	FTX+ABV+++Please correct the incorrectly completed fields and transfer the invoice again.:Your invoice data is NOT being processed in system XXX!:Please resubmit your interchange file:For instructions regarding VDA4938 invoices and the error report, please refer to?:www.berlin-auto.de/vda4938-guide.htm+DE'
		Invoice 1002	CNT+55:1'
	UNT		RFF+INN:12345'
	...		NAD+MS+87654321::91++Berliner Autobau AG'
UNZ			CTA+IC+:Herta Müller'
			COM+030 8978 40999:TE'
			NAD+MR+12345678::92++Supplier Ltd.'
			ERC+U019::10'
			FTX+AAO++E+UNB[2].0020:Actual value?: 12345:UNB?: Data interchange reference used multiple times'

			UNT+18+2' UNZ+2+20150724153322'
--	--	--	------------------------------------

Explanation re. EDIFACT message:

UNA:+.?'	Service string advice
UNB+UNOC:3+00177X001FINANZ:59+00013:59:X+150724:1622+20150724153322'	Start of interchange, identification of sending and receiving stations, date, time and reference number of interchange file
UNH+2+APERAK:D:08A:UN:GAVJ10'	Start segment of APERAK message
BGM+305:::X01+232223+9'	Message type (305 = application error and acknowledgement), X01 = syntax check, message reference number and code as original
DTM+137:20150724:102'	Date of message
FTX+ABV+++Check report?::----- -----:This message contains a list of the fields with errors in your VDA4938 message?::Your message contains 01 error(s) and 00 warning(s)?::+DE'	Result in the form of a text message
FTX+ABV+++Please correct the incorrectly completed fields and transfer the invoice again.:Your invoice data is NOT being processed in system XXX!:Please resubmit your interchange file:For instructions regarding VDA4938 invoices and the error report, please refer to?::www.berlin-auto.de/vda4938-guide.htm+DE'	Additional text message
CNT+55:1'	Number of errors: 0
RFF+INN:12345'	Reference number of checked interchange file: 12345
	Date/time of checked interchange file
NAD+MS+87654321::91+ +Berliner Autobau AG'	Sender of APERAK message
CTA+IC+:Herta Müller'	Sender contact
COM+030 8978 40999:TE'	Phone number
NAD+MR+12345678::92+ +Supplier Ltd.'	Recipient of APERAK message
ERC+U019::10'	Error code: U019
FTX+AAO++E+UNB[2].0020:Actual value?: 12345:UNB?: Data interchange reference used multiple times'	Description of error Data interchange reference used multiple times
UNT+18+2'	Message trailer
UNZ+2+20150724153322'	Interchange file trailer

#### 4 Example of communication of content check result

Interchange 12345 contains multiple invoices. Invoice number 1002 contains errors and is rejected (no net amount for item, invoice total incorrect).

Structure of original message	Content of APERAK message
-------------------------------	---------------------------

UNA			UNA:+.? '
UNB	Interchange 12345		UNB+UNOC:3+00177X001FINANZ:59+00013:59:X+1507
	UNH #1		24:1622+20150724153322'
		BGM	UNH+1+APERAK:D:08A:UN:GAVJ10'
		Invoice 1001	BGM+305:::X01+232221+9'
	UNT		DTM+137:20150724:102'
	UNH #2		FTX+ABV+++Check report?::-----:Your message contains 00 error(s) and 00 warning(s):.The message has been forwarded for incoming invoice processing.:X+DE'
		BGM	CNT+55:0'
		Invoice 1002...	RFF+IV:1001'
	UNT		RFF+INN:12345'
	...		DTM+171:201507240813:203'
UNZ			NAD+MS+87654321::91++Berliner Autobau AG'
			CTA+IC+:Herta Müller'
			COM+030 8978 40999:TE'
			NAD+MR+12345678::92++Supplier Ltd.'
			ERC+M000::10'
			UNT+14+1'
			UNH+2+APERAK:D:08A:UN:GAVJ10'
			BGM+305:::X01+232222+9'
			DTM+137:20150724:102'
			FTX+ABV+++Check report?:.This message contains a list of the fields with errors in your VDA4938 message?:.Your message contains 02 error(s) and 00 warning(s)!+DE'
			FTX+ABV+++Please correct the incorrectly completed fields and transfer the invoice again.:Your invoice data is NOT being processed in system XXX!:Please resubmit your invoice.:For instructions regarding VDA4938 invoices and the error report, please refer to?:.http://www.berlin-auto.de/vda4938-guide.htm+DE'
			CNT+55:0'
			RFF+IV:1002'
			NAD+MS+87654321::91++Berliner Autobau AG'
			CTA+IC+:Herta Müller'
			COM+030 8978 40999:TE'
			NAD+MR+12345678::92++Supplier Ltd.'
			ERC+G004::10'
			FTX+AAO++E+SG27.MOA[35]:Actual value?: N/A - Setpoint value?: MOA?+203...:No net amount for item'
			RFF+AWL:35'
			ERC+G006::10'
			FTX+AAO++E+SG27.MOA[87]:Actual value?: 10200,00 .:Total invoice amount incorrect (SG50.MOA?+77); might be due to incorrect or missing figures in item list'
			RFF+AWL:87:1:2'
			UNT+18+2'
			UNZ+2+20150724153322'

Explanation re. EDIFACT message:

UNA:+.?'	Service string advice
UNB+UNOC:3+O0177X001FINANZ:59+O0013:59:X+150724:1622+20150724153322'	Start of interchange, identification of sending and receiving stations, date, time and reference number of interchange file®
UNH+1+APERAK:D:08A:UN:GAVJ10'	Start segment of APERAK message
BGM+305::X03+232221+9'	Message type (305 = application error and acknowledgement), X03 = ERP system processing (final check), message reference number and code as original
DTM+137:20150724:102'	Date of message
FTX+ABV+++Check report?:----- ---:Your message contains 00 error(s) and 00 warning(s):The message has been processed and posted.+DE'	Result in the form of a text message
CNT+55:0'	Number of errors: 0
RFF+IV:1001'	Reference number of checked invoice
RFF+INN:12345'	Reference number of checked interchange file: 12345
DTM+171:201507240813:203'	Date/time of checked interchange file
NAD+MS+87654321::91++Berliner Autobau AG'	Sender of APERAK message
CTA+IC+:Herta Müller'	Sender contact
COM+030 8978 40999:TE'	Phone number
NAD+MR+12345678::92++Supplier Ltd.'	Recipient of APERAK message
ERC+M000::10'	No errors
UNT+14+1'	End of 1st APERAK message
UNH+2+APERAK:D:08A:UN:GAVJ10'	Start segment of 2nd APERAK message
BGM+305::X03+232222+9'	Message type (305 = application error and acknowledgement), X03 = ERP system processing (final check), message reference number and code as original
DTM+137:20150724:102'	Date of message
FTX+ABV+++Check report?:This message contains a list of the fields with errors in your VDA4938 message?:Your message contains 02 error(s) and 00 warning(s)!+DE'	Result in the form of a text message
FTX+ABV+++Please correct the incorrectly completed fields and transfer the invoice again.:Your invoice data is NOT being processed in system XXX!:Please resubmit your invoice.:For instructions regarding VDA4938 invoices and the error report, please refer to?:http://www.berlin-auto.de/vda4938-guide.htm+DE'	
CNT+55:2'	Number of errors: 2
RFF+IV:1002'	Invoice number 1002
NAD+MS+87654321::91++Berliner Autobau AG'	Sender of APERAK message
CTA+IC+:Herta Müller'	Sender contact
COM+030 8978 40999:TE'	Phone number
NAD+MR+12345678::92++Supplier Ltd.'	Recipient of APERAK message

ERC+G004::10'	1st error G004 - net amount for item missing
FTX+AAO++E+SG27.MOA[35]:Actual value?: N/A - Setpoint value?: MOA?+203...:No net amount for item'	Error path and description
RFF+AWL:35'	Number of incorrect segment
ERC+G008::10'	2nd error G008 - invoice total incorrect
FTX+AAO++E+SG27.MOA[87]:Actual value?: 10200,00 .:Total invoice amount incorrect (SG50.MOA?+77); might be due to incorrect or missing figures in item list'	Error path and description
RFF+AWL:87:1:2'	Number of incorrect segment
UNT+18+2'	End of 2nd APERAK message
UNZ+2+20150724153322'	Interchange trailer

## 5 Comments

The scenario to be adopted should be agreed in advance between the parties. In a scenario where messages are only generated in the event of an error, the parties should agree a timeframe after which the sender of the invoice can safely assume that the recipient has received and processed the data. The recipient of the invoice is obliged to check and process incoming invoiced without undue delay. The VDA Working Group "Invoicing Processes" considers a period of 36 hours as adequate. For Saturdays, Sundays and public holidays, the period should be extended accordingly.

All arrangements regarding the interchange of invoice data by EDI should be agreed in writing by the parties.

The validity checks need to take into account the content of the message. Incomplete mandatory information required for the accounting of VAT in connection with the trading of goods and services within the European Union must ALWAYS result in a rejection of the message. Other omissions or incorrect details might trigger a warning or an error, depending on the nature of the omission or error.

A warning is triggered, if some of the information is incorrect but does not impair the processing of the invoice data. Error always prevent the invoice from being processed / posted. In such a case, the sender of the data must make the necessary corrections and transfer the data again.

## 6 Appendix - error codes

The error code list below is used for the standardised communication of errors that have been detected. It includes codes for errors that have occurred in connection with the interchange of invoices. It further includes codes used in other contexts, such as logistics messages. It thus provides a generic tool for the inclusion of such information in APERAK messages.

Syntax:

Digit 1 - classification of object containing error

A - parts/package numbers

D - Date/time details

L - Location details

M - Miscellaneous

N - Message structure

P - Partner data/identification

Q - Quantity details

R - Reference numbers/documents

S - Tax-relevant information incorrect or missing

U - Error in interchange file

V - Validation

Digits 2-4 - error code

Code	Explanation
A001	Batch number incorrect or missing.
A002	Individual parcel number incorrect or missing.
A003	Packaging unit number (supplier) incorrect or missing.
A004	From parcel number incorrect or missing.
A005	To parcel number incorrect or missing.
A006	Packaging product number 1 incorrect or missing.
A007	Serial number incorrect or missing.
A008	Chassis number incorrect or missing.
A009	Parts number incorrect or missing.
A010	Parts number (supplier) incorrect or missing.
A011	Consignment loading reference number incorrect or missing.
A012	Label/tag identification incorrect or missing.
A013	Transport vehicle identification incorrect or missing.
A014	Engine number incorrect or missing.
A015	Drawing revision number incorrect or missing.
A016	Goods / service designation missing.
A999	Parts/packaging unit number incorrect or missing. Detailed error description in adjacent FTX segment.
D001	Requested delivery date/time incorrect or missing.
D002	Date/time of hand-over by freight carrier incorrect or missing.
D003	Dispatch date/time incorrect or missing.



D004	Drawing revision date/time incorrect or missing.
D005	Message date missing.
D006	Date/time format not supported.
D007	Error in date/time.
D008	Delivery/performance date missing.
D999	Date/time incorrect or missing. Detailed error description in adjacent FTX segment.
G001	Net amount for item missing.
G002	Net amount for item incorrect; net amount is calculated as net price/unit price * quantity.
G003	Net amount for item should not be 0.
G004	Net price for item missing.
G005	Net price for item deviate from price in order / price agreement.
G006	Total invoice amount missing (SG50.MOA+77).
G007	Total invoice amount (SG50.MOA+77) must not be 0.
G008	Total invoice amount incorrect (SG50.MOA+77); might be due to other incorrect or missing figures in item list.
G009	Taxable total amount (MOA+125) missing.
G010	If an item is declared exempt from VAT, the non-taxable amount (SG50.MOA+403) must be specified.
G011	Total tax amount (SG50.MOA+176) missing.
G012	Taxable total amount (MOA+125) incorrect.
G013	Total amount of VAT (MOA+176) incorrect.
G014	Total amount of additional delivery costs (MOA+136) incorrect.
L001	Unloading location incorrect or missing.
L002	Storage location (customer) incorrect or missing.
L003	Location of consumption incorrect or missing.
L004	Plant (customer) incorrect or missing.
L005	Plant (supplier) incorrect or missing.
L006	Loading location incorrect or missing.
L007	Country of origin incorrect or missing.
L999	Location incorrect or missing. Detailed error description in adjacent FTX segment.
000	No errors or warnings were triggered at this check level.
M001	Revision number incorrect or missing.
M002	Hazardous goods identification incorrect or missing.
M003	Text incorrect or missing.
M004	VAT rate incorrect or missing.
M005	Customs value, packaging costs, freight costs, other monetary figures. Detailed error description in adjacent FTX segment.
M006	Shipping method incorrect or missing.
M007	Preference status incorrect or missing.
M008	Usage identifier incorrect or missing.
M009	Product description incorrect or missing.
M010	Transfer of ownership code incorrect or missing.
M011	Delivery terms/postage incorrect or missing.

M999	Error in message. Detailed error description in adjacent FTX segment.
N001	UNH: Message reference included more than once in interchange (DE0062).
N002	UNT: Message reference deviates from value in UNH segment.
N003	UNT: Incorrect number of segments in message.
N006	Message with this number has already been transferred, and second exchange is not identified as a copy.
N007	Too many segment/segment group repetitions.
N009	Mandatory data element missing.
N010	Mandatory segment missing.
N011	Segment/segment group not permissible/unknown at this position in message.
N012	Error in data format: content too short.
N013	Error in data format: content too long.
N014	Error in data format: content must be numerical.
N015	Transferred code not permissible/unknown at this position in guide.
P001	Freight carrier incorrect or missing.
P002	Supplier number incorrect or missing.
P003	Carrier/transport partner number incorrect or missing.
P004	Goods recipient number incorrect or missing.
P005	Customer code from individual order incorrect or missing.
P006	Code from customer call-off (LAB) incorrect or missing.
P007	Goods dispatcher incorrect or missing.
P008	Identification of person responsible for materials approval incorrect or missing.
P009	Data sender incorrect or missing.
P010	Data recipient incorrect or missing.
P011	Transport consolidation service provider incorrect or missing.
P012	Manufacturer incorrect or missing.
P013	(Contractual) client/sender incorrect or missing.
P014	Client/purchaser missing.
P015	Client/purchaser address details incomplete.
P016	Service provider/supplier details missing.
P017	Service provider/supplier address details incomplete.
P018	Invoice issuer address details incomplete.
P019	Invoice recipient address details incomplete.
P020	Address details of tax-relevant agent of service provider incomplete.
P021	Address details of tax-relevant client agent incomplete.
P022	Country of customer missing.
P023	Country of goods recipient missing.
P024	Address details of goods recipient incomplete.
P999	Partner number/ID incorrect or missing. Detailed error description in adjacent FTX segment.
Q001	Number of packaging units incorrect or missing.
Q002	Number of parcels incorrect or missing.
Q003	Filling quantity incorrect or missing.
Q004	Loading metre incorrect or missing.
Q005	Delivery quantity incorrect or missing.
Q006	Number of loading units incorrect or missing.

Q007	Gross weight incorrect or missing.
Q008	Net weight incorrect or missing.
Q009	Stacking factor incorrect or missing.
Q010	Packaging dimensions incorrect or missing.
Q011	Number of packaging aids incorrect or missing.
Q012	Maximum extra load incorrect or missing.
Q013	Consignment volume incorrect or missing.
Q014	Calculated quantity missing.
Q015	Unit not supported.
Q999	Other quantity incorrect and missing. Detailed error description in adjacent FTX segment.
R001	Call-off number incorrect or missing.
R002	Contract/order number incorrect or missing.
R003	Delivery note number incorrect or missing.
R004	Consignment delivery note number of customer incorrect or missing.
R005	Call-off stock number incorrect or missing.
R006	Delivery note number incorrect or missing.
R007	Item number in delivery note incorrect and missing.
R008	Transport vehicle number incorrect or missing.
R009	Origin delivery note number incorrect or missing.
R999	Other reference incorrect and missing. Detailed error description in adjacent FTX segment.
S001	VAT ID no. of client/purchaser missing.
S002	VAT ID no. or tax number of service provider/supplier missing.
S003	VAT ID no. of service provider/supplier incorrect.
S004	VAT ID no. of client/purchaser incorrect.
S005	VAT ID no. of tax-relevant agent of client/purchaser missing.
S006	VAT ID no. of tax-relevant agent of service provider/supplier missing.
S007	Invoice currency missing.
S008	Tax code missing.
S009	Tax rate missing.
U001	UNA: Service string advice incorrect or not supported.
U002	UNB: Character set missing (DE0001).
U003	UNB: Character set incorrect (DE0001).
U004	UNB: Syntax version missing.
U005	UNB: Syntax version incorrect.
U006	UNB: Transfer date missing.
U007	UNB: Transfer date incorrect - use format YYMMDD.
U008	UNB: Transfer time missing.
U009	UNB: Transfer time incorrect - use format HHMM.
U010	UNB: Sender missing.
U011	UNB: Sender unknown.
U012	UNB: Recipient missing.
U013	UNB: Recipient unknown.
U014	UNB: Data interchange reference missing (DE0020).

U015	UNZ: Data interchange reference missing (DE0020).
U016	UNZ: Data interchange reference discrepancy (DE0020).
U017	UNZ: Message counter in interchange missing.
U018	UNZ: Message counter in interchange <> number of transferred messages.
U019	UNB: Data interchange reference used multiple times.
U020	UNB: Interchange file too old.
U021	Message group in interchange not supported.
U022	System does not support multiple message types in interchange file.
U023	No messages in interchange file.
U024	Signature missing.
U025	Signature check returned error.
U026	Certificate used for signature not valid/permissible.
V001	Incorrect combination of country of origin and preference status.
V002	Discrepancy between stated number of packaging units and calculated number based on 'From parcel number' and 'To parcel number'.
V003	'From parcel number' must be smaller than 'To parcel number'.
V005	The delivery quantity must correspond to the number of packaging units x filling quantity.
V006	With 'Mixed load' label code, the number of packaging units must be 0 or 1.
V007	With 'Master' label code, the number of packaging units must be 1.
V008	With 'Simplified' or 'Single' label code, both the number of packaging units and the filling quality must be greater than 0.
V009	No sub-parcels with label ID 'Master'.
V010	With 'Master'/'Mixed load' label code, sub-parcels must be specified with filling quantity.
V011	Incorrect sequence of load carriers, packaging aids, packaging units.
V012	Error in data interchange identification.
V013	Total invoice amount (SG50.MOA+77) <> total taxable amount + total tax amount + total amount not subject to tax + total amount exempt from tax! Note: This error might be a consequential error, if an inadmissible qualifier has been used for one of the MOA segments (SG50).
V014	Total tax amount incorrect <> total of individual tax amounts (SG52.MOA+124).
V015	Total of item amounts incorrect (SG50.MOA+79) <> total of net amounts of items (SG27.MOA+203).
V016	For deliveries/services that are not subject to or exempt from tax, the tax rate must be 0.
V017	Text regarding specification of preference authorisation missing.
V018	Text regarding tax exemption missing.
V019	Totals for individual tax rates missing (SG52); these must be transferred, if the invoice contains amounts subject to different tax rates.
V020	If payment terms are stated, the due date should be specified.
V021	Surcharge/discount: percentage rate or amount missing.
V022	Surcharge/discount: qualification for surcharge missing.
V023	Domestic currency missing.
V024	Payment currency missing.

- V025 Invoice amount in domestic currency missing.
- V026 Total tax amounts in domestic currency missing.
- V027 Invoice amount in payment currency missing.
- V028 Information regarding exchange rate (invoice currency <-> domestic currency) missing.
- V029 Information regarding exchange rate (invoice currency <-> payment currency) missing.
- V030 Validity date of exchange rate missing.
- V031 Total section contains tax rate and tax amounts that do not appear in item section.
  
- V032 Tax amount calculated incorrectly < > taxable amount \* tax rate.
- V033 Mandatory information text missing (e.g. managing directors, supervisory board).
- V034 Preference authorisation text missing (required if there are preferential items).
  
- V035 Text "Credit note" (or "Self-billing invoice") missing.
- V036 Documents referenced in INVOIC as enclosures not contained in envelope (for use of INVOIC according to VDA 4983).
- V037 Inadmissible document format of enclosure (for use of INVOIC according to VDA 4983).
- V999 Plausibility error. Detailed error description in adjacent FTX segment.

## 7 Annexe: EDIFACT Guideline

### Table of content

1	Introduction .....	4
2	Process description .....	4
2.1	Acknowledgement of receipt.....	4
2.2	Checking of incoming data.....	4
2.2.1	Syntax check.....	4
2.2.2	Specific syntax check.....	5
2.2.3	Plausibility/validation check at target (receiving) system .....	5
3	Examples of syntax check result communication.....	8
3.1	Correct data interchange - APERAK message serving as acknowledgment only .....	8
3.2	One message rejected, other message(s) forwarded for processing .....	9
3.3	Entire interchange file rejected .....	11
4	Example of communication of content check result.....	12
5	Comments.....	15
6	Appendix - error codes.....	16
7	Annexe: EDIFACT Guideline.....	22
<b>1</b>	<b>INTERCHANGE STRUCTURE.....</b>	<b>23</b>
	Message structure.....	25
	Branching diagram.....	26
	Segment details .....	28
	Permitted Codes.....	51

## INTERCHANGE STRUCTURE

An EDIFACT interchange file contains an interchange frame (UNB-UNZ) with one or more messages (UNH-UNT). The interchange frame can be preceded by a service string advice to define the used separator characters (recommended).

Usually one interchange file contains only messages of the same type (e.g. APERAK).

Status	Segment	Description
Optional	UNA	Service String Advice
Mandatory	UNB	Interchange header
Mandatory	UNH	1. Message header
	...	Message segments
Mandatory	UNT	1. Message trailer
	UNH	2. Message header
	...	Message segments
	UNT	2. Message trailer
	etc.	
	UNH	n. Message header
	...	Message segments
	UNT	n. Message trailer
Mandatory	UNZ	Interchange trailer

Note: In the following documentation the repetition factors for UNH and UNT are given with regard to one message. This does not change the principle of 1 to n messages in the interchange.



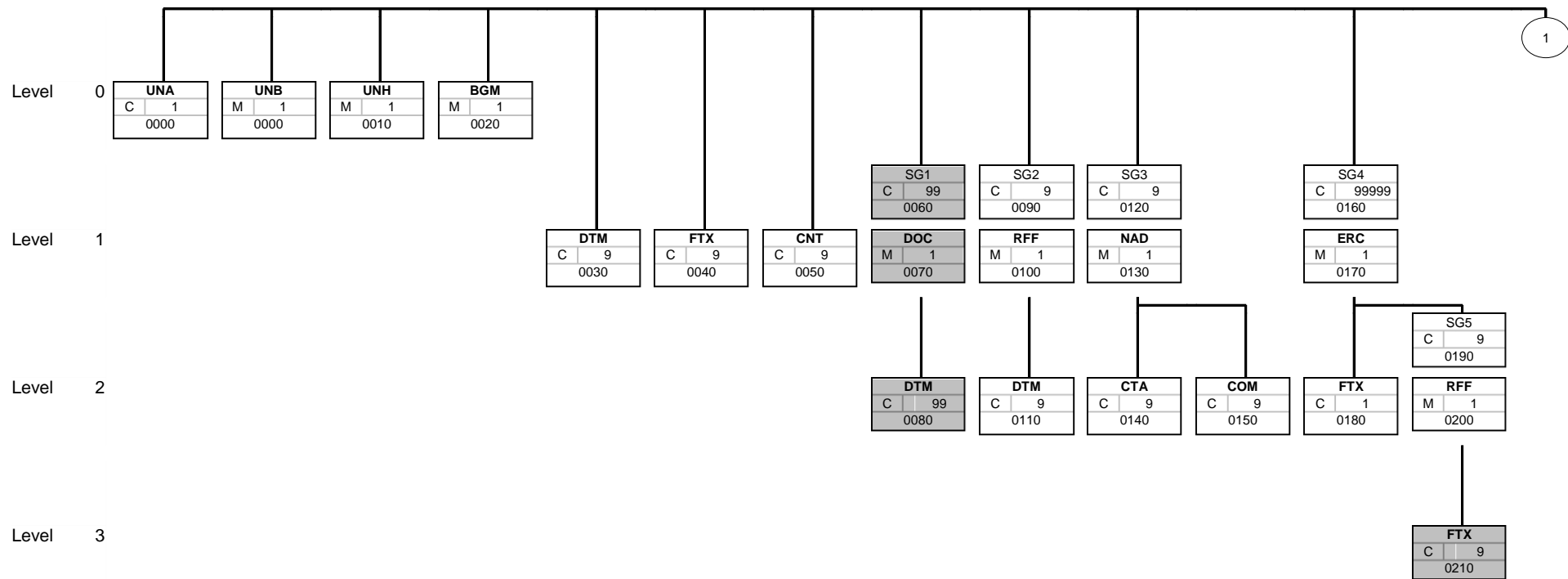


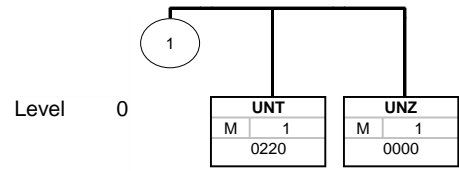
## Structure / Content

Counter	No	Tag	St	MaxRep	Level	Content
0000	1	<b>UNA</b>	O	1	0	Service string advice
0000	2	<b>UNB</b>	M	1	0	Interchange header
0010	3	<b>UNH</b>	M	1	0	Message header
0020	4	<b>BGM</b>	M	1	0	Beginning of message
0030	5	<b>DTM</b>	R	1	1	Nachrichtendatum
0040	6	<b>FTX</b>	O	9	1	Free text
0050	7	<b>CNT</b>	O	2	1	Anzahl der Fehler
0090		<b>SG2</b>	D	1	1	RFF
0100	8	<b>RFF</b>	M	1	1	Reference number of the checked INVOIC message
0090		<b>SG2</b>	D	1	1	Interchange reference number
0100	9	<b>RFF</b>	M	1	1	Interchange reference number
0110	10	<b>DTM</b>	R	1	2	Date and time of interchange
0120		<b>SG3</b>	R	1	1	Document/message issuer/sender
0130	11	<b>NAD</b>	M	1	1	Name and address
0140	12	<b>CTA</b>	O	9	2	ShipTo's information contact
0150	13	<b>COM</b>	O	5	2	Communication means
0120		<b>SG3</b>	R	1	1	Message recipient
0130	14	<b>NAD</b>	M	1	1	Message recipient
0140	15	<b>CTA</b>	O	9	2	Information contact
0150	16	<b>COM</b>	O	5	2	Communication means
0160		<b>SG4</b>	D	99999	1	Application error detail
0170	17	<b>ERC</b>	M	1	1	Application error detail
0180	18	<b>FTX</b>	O	1	2	Error description
0190		<b>SG5</b>	O	1	2	Position of the error in the message
0200	19	<b>RFF</b>	M	1	2	Position of the error in the message
0220	20	<b>UNT</b>	M	1	0	Message trailer
0000	21	<b>UNZ</b>	M	1	0	Interchange trailer

Tag = Segment-/Group-Tag  
 Counter = Number of the segment / group in the EDIFACT  
 directory  
 No = Consecutive number of the segment in the guide  
 MaxRep = Maximum repetition of the segments / groups

St = Status  
 EDIFACT: M=Mandatory, C=Conditional  
 Implementation: R=Required, O=Optional, D=Dependent,  
 A=Advised, N=Not used





## Segments

Counter	No.	Tag	St	MaxRep	Level	Name
0000	1	<b>UNA</b>	O	1	0	Service string advice

			Standard	Implementation	
Tag	Name		St Format	St Format	Remark
UNA					
UNA1	Component data element separator		M an1	M an1	
UNA2	Data element separator		M an1	M an1	
UNA3	Decimal notation		M an1	M an1	
UNA4	Release indicator		M an1	M an1	
UNA5	Reserved for future use		M an1	M an1	
UNA6	Segment terminator		M an1	M an1	

**Remark:**

Default use: UNA:+.? '

It is recommended to include UNA service string advice in each data exchange.

St = Status  
 EDIFACT: M=Mandatory, C=Conditional  
 Application: R=Required, O=Optional, D=Dependent,  
 A=Advised, N=Not used

**Segments**

Counter	No.	Tag	St	MaxRep	Level	Name
0000	2	<b>UNB</b>	M	1	0	Interchange header

		Standard	Implementation	
Tag	Name	St Format	St Format	Remark
UNB				
S001	Syntax identifier	M	M	
0001	Syntax identifier	M a4	M a4	<b>UNOA UN/ECE level A</b> <b>UNOB UN/ECE level B</b> <b>UNOC UN/ECE level C</b>
0002	Syntax version number	M n1	M n1	Syntax version 3 is recommended. <b>2 Version 2</b> <b>3 Version 3</b>
S002	Interchange sender	M	M	
0004	Sender identification	M an..35	M an..35	ID of the interchange sender
0007	Partner identification code qualifier	C an..4	O an..4	
0008	Address for reverse routing	C an..14	O an..14	
S003	Interchange recipient	M	M	
0010	Recipient identification	M an..35	M an..35	ID of the interchange receiver.
0007	Partner identification code qualifier	C an..4	O an..4	
0014	Routing address	C an..14	O an..14	
S004	Date/time of preparation	M	M	
0017	Date of preparation	M n6	M n6	Date of interchange Format YYMMDD
0019	Time of preparation	M n4	M n4	Time of interchange Format YYMMDD
0020	Interchange control reference	M an..14	M an..14	Interchange reference number
S005	Recipient's reference, password	C	N	
0022	Recipient's reference/password	M an..14	N	Not used
0025	Recipient's reference/password qualifier	C an2	N	Not used
0026	Application reference	C an..14	N	Not used
0029	Processing priority code	C a1	N	Not used
0031	Acknowledgement request	C n1	N	Not used
0032	Communications agreement ID	C an..35	N	Not used
0035	Test indicator	C n1	O n1	Only used, if the data transfer is a test. <b>1 Interchange is a test</b>

Remark:

St = Status  
 EDIFACT: M=Mandatory, C=Conditional  
 Application: R=Required, O=Optional, D=Dependent,  
 A=Advised, N=Not used

## Segments

Counter	No.	Tag	St	MaxRep	Level	Name
0010	3	<b>UNH</b>	M	1	0	Message header

		Standard	Implementation		
Tag	Name	St Format	St Format	Remark	
UNH					
0062	Message reference number	M an..14	M an..14	Unique message reference within the interchange.	
S009	Message identifier	M	M		
0065	Message type	M an..6	M an..6	<b>APERAK Application error and acknowledgement message</b>	
0052	Message version number	M an..3	M an..3	<b>D Draft version/UN/EDIFACT Directory</b>	
0054	Message release number	M an..3	M an..3	<b>08A Release 2008 - A</b>	
0051	Controlling agency	M an..2	M an..2	<b>UN UN/CEFACT</b>	
0057	Association assigned code	C an..6	O an..6	<b>GAVJ10 VDA APERAK Version 1.0</b>	(1)
0068	Common access reference	C an..35	N	Not used	
S010	Status of the transfer	C	N		
0070	Sequence of transfers	M n..2	N	Not used	
0073	First and last transfer	C a1	N	Not used	

**Remark:**

St = Status  
 EDIFACT: M=Mandatory, C=Conditional  
 Application: R=Required, O=Optional, D=Dependent,  
 A=Advised, N=Not used

## Segments

Counter	No.	Tag	St	MaxRep	Level	Name
0020	4	<b>BGM</b>	M	1	0	<b>Beginning of message</b>

Standard			Implementation	
Tag	Name	St Format	St Format	Remark
BGM				
C002	Document/message name	C	R	
1001	Document name code	C an..3	R an..3	
<b>305 Application error and acknowledgement</b>				
1131	Code list identification code	C an..17	N	Not used
3055	Code list responsible agency code	C an..3	N	Not used
1000	Document name	C an..35	O an..35	
C106	Document/message identification	C	R	
1004	Document identifier	C an..35	R an..35	<b>Unique identifier of a document. Synonym: document number</b>
1056	Version identifier	C an..9	N	Not used
1060	Revision identifier	C an..6	N	Not used
1225	Message function code	C an..3	O an..3	
<b>9 Original</b>				
4343	Response type code	C an..3	N	Not used

### Remark:

The message contains the results of application-oriented examinations of content (ERP system). It must be dispatched in the event of an error or warnings. If no error was determined, the message is optional. In the event of an error the corrected delivery advice can again be dispatched in agreement with the partner. For each faulty message in a transmission must be answered with a separate APERAK message.

The message can be used for the invoice (INVOIC).

St = Status  
 EDIFACT: M=Mandatory, C=Conditional  
 Application: R=Required, O=Optional, D=Dependent,  
 A=Advised, N=Not used

## Segments

Counter	No.	Tag	St	MaxRep	Level	Name
0030	5	<b>DTM</b>	R	1	1	Nachrichtendatum

			Standard	Implementation		
Tag	Name	St	Format	St	Format	Remark
DTM						
C507	Date/time/period	M		M		
2005	Date or time or period function code qualifier	M	an..3	M	an..3	
						<b>137 Document issue date time</b>
2380	Date or time or period text	C	an..35	R	an..35	
2379	Date or time or period format code	C	an..3	R	an..3	
						<b>102 CCYYMMDD 203 CCYYMMDDHHMM 204 CCYYMMDDHHMMSS</b>

Remark:

St = Status  
 EDIFACT: M=Mandatory, C=Conditional  
 Application: R=Required, O=Optional, D=Dependent,  
 A=Advised, N=Not used



## Segments

Counter	No.	Tag	St	MaxRep	Level	Name
0040	6	<b>FTX</b>	O	9	1	Free text

		Standard	Implementation	
Tag	Name	St Format	St Format	Remark
FTX				
4451	Text subject code qualifier	M an..3	M an..3	<b>ABV Acceptance terms additional</b>
4453	Free text function code	C an..3	N	Not used
C107	Text reference	C	N	
4441	Free text description code	M an..17	N	Not used
1131	Code list identification code	C an..17	N	Not used
3055	Code list responsible agency code	C an..3	N	Not used
C108	Text literal	C	R	
4440	Free text	M an..512	M an..512	
4440	Free text	C an..512	O an..512	
4440	Free text	C an..512	O an..512	
4440	Free text	C an..512	O an..512	
4440	Free text	C an..512	O an..512	
3453	Language name code	C an..3	O an..3	
4447	Free text format code	C an..3	N	Not used

Remark:

St = Status  
 EDIFACT: M=Mandatory, C=Conditional  
 Application: R=Required, O=Optional, D=Dependent,  
 A=Advised, N=Not used

## Segments

Counter	No.	Tag	St	MaxRep	Level	Name
0050	7	<b>CNT</b>	O	2	1	Anzahl der Fehler

			Standard	Implementation		
Tag	Name	St	Format	St	Format	Remark
CNT						
C270	Control	M		M		
6069	Control total type code qualifier	M	an..3	M	an..3	X01 - Total number of warnings <b>55 Total number of errors reported</b>
6066	Control total quantity	M	n..18	M	n..18	
6411	Measurement unit code	C	an..8	N		Not used

Remark:

St = Status  
 EDIFACT: M=Mandatory, C=Conditional  
 Application: R=Required, O=Optional, D=Dependent,  
 A=Advised, N=Not used

## Segments

Counter	No.	Tag	St	MaxRep	Level	Name
0090		<b>SG2</b>	D	1	1	RFF
0100	8	<b>RFF</b>	M	1	1	Reference number of the checked INVOIC message

Standard			Implementation		
Tag	Name	St Format	St Format	Remark	
RFF					
C506	Reference	M	M		
1153	Reference code qualifier	M an..3	M an..3		
					<b>IV Invoice document identifier</b>
1154	Reference identifier	C an..70	R an..70		
1156	Document line identifier	C an..6	N	Not used	
1056	Version identifier	C an..9	N	Not used	
1060	Revision identifier	C an..6	N	Not used	

**Remark:**

Reference to the document identification of INVOIC message.  
EDIFACT: segment BGM, data element 1004

St = Status  
EDIFACT: M=Mandatory, C=Conditional  
Application: R=Required, O=Optional, D=Dependent,  
A=Advised, N=Not used

## Segments

Counter	No.	Tag	St	MaxRep	Level	Name
0090		<b>SG2</b>	D	1	1	Interchange reference number
0100	9	<b>RFF</b>	M	1	1	Interchange reference number

		Standard	Implementation			
Tag	Name	St	Format	St	Format	Remark
RFF						
C506	Reference	M		M		
1153	Reference code qualifier	M	an..3	M	an..3	
<b>INN Interchange number new</b>						
1154	Reference identifier	C	an..70	R	an..70	<b>Interchange reference number</b>
1156	Document line identifier	C	an..6	N		Not used
1056	Version identifier	C	an..9	N		Not used
1060	Revision identifier	C	an..6	N		Not used

### Remark:

Referenziert die DFÜ - Referenznummer der Lieferavis.  
EDIFACT: Segment UNB, Datenelement 0020

Wenn die APERAK-Nachricht mit dem Code X01 - Syntaxprüfung gesendet wird und der ganze Interchange als fehlerfrei akzeptiert wird bzw. der ganze Interchange abgelehnt wird, dann muss dieses Segment gefüllt sein.

St = Status  
EDIFACT: M=Mandatory, C=Conditional  
Application: R=Required, O=Optional, D=Dependent,  
A=Advised, N=Not used

## Segments

Counter	No.	Tag	St	MaxRep	Level	Name
0090		<b>SG2</b>	D	1	1	Interchange reference number
0110	10	<b>DTM</b>	R	1	2	Date and time of interchange

Standard			Implementation	
Tag	Name	St Format	St Format	Remark
DTM				
C507	Date/time/period	M	M	
2005	Date or time or period function code qualifier	M an..3	M an..3	<b>171 Reference date/time</b>
2380	Date or time or period text	C an..35	R an..35	<b>Date and time of interchange</b>
2379	Date or time or period format code	C an..3	R an..3	<b>102 CCYYMMDD</b> <b>203 CCYYMMDDHHMM</b>

**Remark:**

EDIFACT: segment UNB, data elements 0017 and 0019

St = Status  
 EDIFACT: M=Mandatory, C=Conditional  
 Application: R=Required, O=Optional, D=Dependent,  
 A=Advised, N=Not used

## Segments

Counter	No.	Tag	St	MaxRep	Level	Name
0120		<b>SG3</b>	R	1	1	Document/message issuer/sender
0130	11	<b>NAD</b>	M	1	1	Name and address

Standard			Implementation		
Tag	Name	St Format	St Format	Remark	
NAD					
3035	Party function code qualifier	M an..3	M an..3	<b>MS Document/message issuer/sender</b>	
C082	Party identification details	C	R		
3039	Party identifier	M an..35	M an..35	<b>Unique identification of a party by an ID.</b>	
1131	Code list identification code	C an..17	N	Not used	
3055	Code list responsible agency code	C an..3	R an..3	<b>5 ISO (International Organization for Standardization)</b> <b>10 ODETTE</b> <b>16 US, D&amp;B (Dun &amp; Bradstreet Corporation)</b> <b>91 Assigned by seller or seller's agent</b> <b>92 Assigned by buyer or buyer's agent</b>	
C058	Name and address	C	N		
3124	Name and address description	M an..35	N	Not used	
3124	Name and address description	C an..35	N	Not used	
3124	Name and address description	C an..35	N	Not used	
3124	Name and address description	C an..35	N	Not used	
3124	Name and address description	C an..35	N	Not used	
C080	Party name	C	O		
3036	Party name	M an..35	M an..35	Name des absendenden Unternehmens	
3036	Party name	C an..35	N	Not used	
3036	Party name	C an..35	N	Not used	
3036	Party name	C an..35	N	Not used	
3036	Party name	C an..35	N	Not used	
3045	Party name format code	C an..3	N	Not used	
C059	Street	C	N		
3042	Street and number or post office box identifier	M an..35	N	Not used	
3042	Street and number or post office box identifier	C an..35	N	Not used	
3042	Street and number or post office box identifier	C an..35	N	Not used	
3042	Street and number or post office box identifier	C an..35	N	Not used	
3164	City name	C an..35	N	Not used	
C819	Country subdivision details	C	N		
3229	Country subdivision identifier	C an..9	N	Not used	
1131	Code list identification code	C an..17	N	Not used	
3055	Code list responsible agency	C an..3	N	Not used	

St = Status  
EDIFACT: M=Mandatory, C=Conditional  
Application: R=Required, O=Optional, D=Dependent,  
A=Advised, N=Not used

## Segments

		Standard	Implementation	
Tag	Name	St Format	St Format	Remark
	code			
3228	Country subdivision name	C an..70	N	Not used
3251	Postal identification code	C an..17	N	Not used
3207	Country identifier	C an..3	N	Not used

**Remark:**

In der originalen Rechnungsnachricht war das NAD+BY oder, sofern ein abweichender Rechnungsersteller agiert, NAD+IV

St = Status  
EDIFACT: M=Mandatory, C=Conditional  
Application: R=Required, O=Optional, D=Dependent,  
A=Advised, N=Not used

## Segments

Counter	No.	Tag	St	MaxRep	Level	Name
0120		<b>SG3</b>	R	1	1	Document/message issuer/sender
0140	12	<b>CTA</b>	O	9	2	ShipTo's information contact

		Standard	Implementation		
Tag	Name	St Format	St Format	Remark	
CTA					
3139	Contact function code	C an..3	C an..3		
					<b>IC Information contact</b>
C056	Contact details	C	O		
3413	Contact identifier	C an..17	O an..17	Identifies the department or employee by a unique identifier other than their name when given as a contact.	
3412	Contact name	C an..256	O an..256	Name of the contact person or department	

**Remark:**

St = Status  
 EDIFACT: M=Mandatory, C=Conditional  
 Application: R=Required, O=Optional, D=Dependent,  
 A=Advised, N=Not used



## Segments

Counter	No.	Tag	St	MaxRep	Level	Name
0120		<b>SG3</b>	R	1	1	Document/message issuer/sender
0150	13	<b>COM</b>	O	5	2	Communication means

Standard			Implementation		
Tag	Name	St Format	St Format	Remark	
COM					
C076	Communication contact	M	M		
3148	Communication address identifier	M an..512	M an..512	Each communication number has to be qualified with the corresponding code in DE 3155.	
3155	Communication means type code	M an..3	M an..3		<b>EM Electronic mail</b> <b>EX Extension</b> <b>FX Telefax</b> <b>IM Internal mail</b> <b>TE Telephone</b>

Remark:

St = Status  
 EDIFACT: M=Mandatory, C=Conditional  
 Application: R=Required, O=Optional, D=Dependent,  
 A=Advised, N=Not used

## Segments

Counter	No.	Tag	St	MaxRep	Level	Name
0120		<b>SG3</b>	R	1	1	Message recipient
0130	14	<b>NAD</b>	M	1	1	Message recipient

Standard			Implementation		
Tag	Name	St Format	St Format	Remark	
NAD					
3035	Party function code qualifier	M an..3	M an..3	<b>MR Message recipient</b>	
C082	Party identification details	C	R		
3039	Party identifier	M an..35	M an..35	<b>Unique identification of a party by an ID.</b>	
1131	Code list identification code	C an..17	N	Not used	
3055	Code list responsible agency code	C an..3	R an..3	<b>5 ISO (International Organization for Standardization)</b> <b>10 ODETTE</b> <b>16 US, D&amp;B (Dun &amp; Bradstreet Corporation)</b> <b>91 Assigned by seller or seller's agent</b> <b>92 Assigned by buyer or buyer's agent</b>	
C058	Name and address	C	N		
3124	Name and address description	M an..35	N	Not used	
3124	Name and address description	C an..35	N	Not used	
3124	Name and address description	C an..35	N	Not used	
3124	Name and address description	C an..35	N	Not used	
3124	Name and address description	C an..35	N	Not used	
C080	Party name	C	O		
3036	Party name	M an..35	M an..35	Name des empfangenden Unternehmens	
3036	Party name	C an..35	N	Not used	
3036	Party name	C an..35	N	Not used	
3036	Party name	C an..35	N	Not used	
3036	Party name	C an..35	N	Not used	
3045	Party name format code	C an..3	N	Not used	
C059	Street	C	N		
3042	Street and number or post office box identifier	M an..35	N	Not used	
3042	Street and number or post office box identifier	C an..35	N	Not used	
3042	Street and number or post office box identifier	C an..35	N	Not used	
3042	Street and number or post office box identifier	C an..35	N	Not used	
3164	City name	C an..35	N	Not used	
C819	Country subdivision details	C	N		
3229	Country subdivision identifier	C an..9	N	Not used	
1131	Code list identification code	C an..17	N	Not used	
3055	Code list responsible agency	C an..3	N	Not used	

St = Status  
EDIFACT: M=Mandatory, C=Conditional  
Application: R=Required, O=Optional, D=Dependent,  
A=Advised, N=Not used

## Segments

		Standard	Implementation	
Tag	Name	St Format	St Format	Remark
	code			
3228	Country subdivision name	C an..70	N	Not used
3251	Postal identification code	C an..17	N	Not used
3207	Country identifier	C an..3	N	Not used

**Remark:**

In der originalen Rechnungsnachricht war das NAD+SE oder, sofern ein abweichender Rechnungsersteller agiert, NAD+II

St = Status  
EDIFACT: M=Mandatory, C=Conditional  
Application: R=Required, O=Optional, D=Dependent,  
A=Advised, N=Not used

## Segments

Counter	No.	Tag	St	MaxRep	Level	Name
0120		<b>SG3</b>	R	1	1	<b>Message recipient</b>
0140	15	<b>CTA</b>	O	9	2	<b>Information contact</b>

Standard			Implementation	
Tag	Name	St Format	St Format	Remark
CTA				
3139	Contact function code	C an..3	C an..3	<b>IC Information contact</b>
C056	Contact details	C	O	
3413	Contact identifier	C an..17	O an..17	Identifies the department or employee by a unique identifier other than their name when given as a contact.
3412	Contact name	C an..256	O an..256	Name of the contact person or department

**Remark:**

St = Status  
 EDIFACT: M=Mandatory, C=Conditional  
 Application: R=Required, O=Optional, D=Dependent,  
 A=Advised, N=Not used

**Segments**

Counter	No.	Tag	St	MaxRep	Level	Name
0120		<b>SG3</b>	R	1	1	Message recipient
0150	16	<b>COM</b>	O	5	2	Communication means

Standard			Implementation		
Tag	Name	St Format	St Format	Remark	
COM					
C076	Communication contact	M	M		
3148	Communication address identifier	M an..512	M an..512	Each communication number has to be qualified with the corresponding code in DE 3155.	
3155	Communication means type code	M an..3	M an..3	<b>EM Electronic mail</b> <b>EX Extension</b> <b>FX Telefax</b> <b>IM Internal mail</b> <b>TE Telephone</b>	

Remark:

St = Status  
 EDIFACT: M=Mandatory, C=Conditional  
 Application: R=Required, O=Optional, D=Dependent,  
 A=Advised, N=Not used

## Segments

Counter	No.	Tag	St	MaxRep	Level	Name
0160		<b>SG4</b>	D	99999	1	Application error detail
0170	17	<b>ERC</b>	M	1	1	Application error detail

Standard			Implementation		
Tag	Name	St Format	St Format	Remark	
ERC					
C901	Application error detail	M	M		
9321	Application error code	M an..8	M an..8	Eight-digit application error code	
				First character - classification of the erroneous object: A - Part/packaging numbers D - Dates, times L - Location M - Miscellaneous N - Error on message level P - Party numbers/identifier Q - Measurements R - Reference numbers/documents S - Tax relevant data are missing or incorrect U - Error in interchange V - Validation	
				Position 2 - 4 error number Position 5 - 8 not used	
1131	Code list identification code	C an..17	N	Not used	
3055	Code list responsible agency code	C an..3	O an..3		
				<b>10 ODETTE</b> <b>91 Assigned by seller or seller's agent</b> <b>92 Assigned by buyer or buyer's agent</b>	

**Remark:**

A separate repetition of the segment group will be transferred for each error.

St = Status  
 EDIFACT: M=Mandatory, C=Conditional  
 Application: R=Required, O=Optional, D=Dependent,  
 A=Advised, N=Not used

## Segments

Counter	No.	Tag	St	MaxRep	Level	Name
0160		<b>SG4</b>	D	99999	1	Application error detail
0180	18	<b>FTX</b>	O	1	2	Error description

Standard			Implementation	
Tag	Name	St Format	St Format	Remark
FTX				
4451	Text subject code qualifier	M an..3	M an..3	
<b>AAO Error description (free text)</b>				
4453	Free text function code	C an..3	N	Not used
C107	Text reference	C	R	
4441	Free text description code	M an..17	M an..17	
1131	Code list identification code	C an..17	N	Not used
3055	Code list responsible agency code	C an..3	O an..3	
<b>10 ODETTE</b>				
C108	Text literal	C	O	
4440	Free text	M an..512	M an..512	
4440	Free text	C an..512	R an..512	
4440	Free text	C an..512	R an..512	
4440	Free text	C an..512	O an..512	
4440	Free text	C an..512	O an..512	
3453	Language name code	C an..3	O an..3	
4447	Free text format code	C an..3	N	Not used

**Remark:**

Specific descriptions to an error can be stated here, for example the detailed explanation of a format error or individual errors.

St = Status  
 EDIFACT: M=Mandatory, C=Conditional  
 Application: R=Required, O=Optional, D=Dependent,  
 A=Advised, N=Not used

## Segments

Counter	No.	Tag	St	MaxRep	Level	Name
0160		<b>SG4</b>	D	99999	1	<b>Application error detail</b>
0190		<b>SG5</b>	O	1	2	<b>Position of the error in the message</b>
0200	19	<b>RFF</b>	M	1	2	<b>Position of the error in the message</b>

Standard			Implementation	
Tag	Name	St Format	St Format	Remark
RFF				
C506	Reference	M	M	
1153	Reference code qualifier	M an..3	M an..3	
1154	Reference identifier	C an..70	R an..70	<p><b>AWL Error position</b></p> <p><b>Position of the error segment in the message</b></p> <p>The numerical count position of a specific segment that is within the actual received message. The numbering starts with, and includes, the UNH segment as segment number 1. To identify a segment that contains an error, this is the numerical count position of that segment. To report that a segment is missing, this is the numerical count position of the last segment that was processed before the position where the missing segment was expected to be. A missing segment group is denoted by identifying the first segment in the group as missing.</p>
1156	Document line identifier	C an..6	O an..6	<p><b>Position of the error data element/field in the segment/record</b></p> <p>The numerical count position of the simple or composite data element in error. The segment code and each following simple or composite data element defined in the segment description shall cause the count to be incremented. The segment tag has position number 1.</p>
1056	Version identifier	C an..9	D an..9	<b>Gruppenelementzähler</b>
1060	Revision identifier	C an..6	N	Not used

**Remark:**

If the original message unknown, it will not transfer the RFF+AWL.

St = Status  
 EDIFACT: M=Mandatory, C=Conditional  
 Application: R=Required, O=Optional, D=Dependent,  
 A=Advised, N=Not used



## Segments

Counter	No.	Tag	St	MaxRep	Level	Name
0220	20	<b>UNT</b>	M	1	0	<b>Message trailer</b>

			Standard	Implementation		
Tag	Name	St	Format	St	Format	Remark
UNT						
0074	Number of segments in the message	M	n..6	M	n..6	
0062	Message reference number	M	an..14	M	an..14	

**Remark:**

St = Status  
 EDIFACT: M=Mandatory, C=Conditional  
 Application: R=Required, O=Optional, D=Dependent,  
 A=Advised, N=Not used

## Segments

Counter	No.	Tag	St	MaxRep	Level	Name
0000	21	<b>UNZ</b>	M	1	0	Interchange trailer

Standard			Implementation	
Tag	Name	St Format	St Format	Remark
UNZ				
0036	Interchange control count	M n..6	M n..6	Control value - number of messages in the interchange
0020	Interchange control reference	M an..14	M an..14	Control value - interchange control reference (repetition from UNB segment).

**Remark:**

St = Status  
 EDIFACT: M=Mandatory, C=Conditional  
 Application: R=Required, O=Optional, D=Dependent,  
 A=Advised, N=Not used

## Permitted Codes

List of permitted codes per data element

**0001**            Syntax identifier

Code	Name/Description
UNOA	UN/ECE level A
UNOB	UN/ECE level B
UNOC	UN/ECE level C

## Permitted Codes

List of permitted codes per data element

**0002**            Syntax version number

Code	Name/Description
2	Version 2
3	Version 3

## Permitted Codes

List of permitted codes per data element

**0007** Partner identification code qualifier

Code	Name/Description
1	DUNS (Data Universal Numbering System)
4	IATA (International Air Transport Association)
5	INSEE (Institut National de la Statistique et des Etudes Economiques) - SIRET
8	UCC Communications ID (Uniform Code Council Communications Identifier)
9	DUNS (Data Universal Numbering System) with 4 digit suffix
12	Telephone number
14	GS1
18	AIAG (Automotive Industry Action Group)
22	INSEE (Institut National de la Statistique et des Etudes Economiques) - SIREN
30	ISO 6523: Organization identification
31	DIN (Deutsches Institut fuer Normung)
33	BfA (Bundesversicherungsanstalt fuer Angestellte)
34	National Statistical Agency
51	GEIS (General Electric Information Services)
52	INS (IBM Network Services)
53	Datenzentrale des Einzelhandels
54	Bundesverband der Deutschen Baustoffhaendler
55	Bank identifier code
57	KTNet (Korea Trade Network Services)
58	UPU (Universal Postal Union)
59	ODETTE (Organization for Data Exchange through Tele- Transmission in Europe)
61	SCAC (Standard Carrier Alpha Code)
63	ECA (Electronic Commerce Australia)
65	TELEBOX 400 (Deutsche Telekom)
80	NHS (National Health Service)
82	Statens Teleforvaltning
84	Athens Chamber of Commerce
85	Swiss Chamber of Commerce
86	US Council for International Business
87	National Federation of Chambers of Commerce and Industry
89	Association of British Chambers of Commerce
90	SITA (Societe Internationale de Telecommunications Aeronautiques)
91	Assigned by seller or seller's agent
92	Assigned by buyer or buyer's agent

## Permitted Codes

List of permitted codes per data element

<b>103</b>	TW, Trade-van
<b>128</b>	CH, BCNR (Swiss Clearing Bank Number)
<b>129</b>	CH, BPI (Swiss Business Partner Identification)
<b>144</b>	US, DoDAAC (Department of Defense Activity Address Code)
<b>145</b>	FR, DGCP (Direction Generale de la Comptabilite Publique)
<b>146</b>	FR, DGI (Direction Generale des Impots)
<b>147</b>	JP, JIPDEC/ECPC (Japan Information Processing Development Corporation / Electronic Commerce Promotion Center)
<b>148</b>	ITU (International Telecommunications Union) Data Network Identification Code (DNIC)
<b>500</b>	DE, BDEW (Bundesverband der Energie- und Wasserwirtschaft e.V.)
<b>501</b>	EASEE-gas (European Association for the Streamlining of Energy Exchange)
<b>502</b>	DE, DVGW (Deutsche Vereinigung des Gas- und Wasserfaches e.V.)
<b>Z01</b>	Vehicle registration number
<b>ZZZ</b>	Mutually defined

## Permitted Codes

List of permitted codes per data element

**0035** Test indicator

Code	Name/Description
------	------------------

1	Interchange is a test
---	-----------------------

**Permitted Codes**

List of permitted codes per data element

**0051** Controlling agency

<b>Code</b>	<b>Name/Description</b>
-------------	-------------------------

<b>UN</b>	UN/CEFACT
-----------	-----------



**Permitted Codes**

List of permitted codes per data element

**0052** Message version number

<b>Code</b>	<b>Name/Description</b>
-------------	-------------------------

<b>D</b>	Draft version/UN/EDIFACT Directory
----------	------------------------------------

**Permitted Codes**

List of permitted codes per data element

**0054**            Message release number

<b>Code</b>	<b>Name/Description</b>
-------------	-------------------------

<b>08A</b>	Release 2008 - A
------------	------------------

## Permitted Codes

List of permitted codes per data element

**0057** Association assigned code

Code	Name/Description
<b>GAVJ10</b>	VDA APERAK Version 1.0

## Permitted Codes

List of permitted codes per data element

**0065**            Message type

Code	Name/Description
------	------------------

<b>APERAK</b>	Application error and acknowledgement message
---------------	-----------------------------------------------

## Permitted Codes

List of permitted codes per data element

**1001** Document name code

Code	Name/Description
------	------------------

<b>305</b>	Application error and acknowledgement
------------	---------------------------------------

## Permitted Codes

List of permitted codes per data element

**1153** Reference code qualifier

Code	Name/Description
AWL	Error position
INN	Interchange number new
IV	Invoice document identifier

## Permitted Codes

List of permitted codes per data element

**1225** Message function code

Code	Name/Description
------	------------------

9	Original
---	----------

## Permitted Codes

List of permitted codes per data element

**2005**            Date or time or period function code qualifier

Code	Name/Description
137	Document issue date time
171	Reference date/time



## Permitted Codes

List of permitted codes per data element

**2379** Date or time or period format code

Code	Name/Description
102	CCYYMMDD
203	CCYYMMDDHHMM
204	CCYYMMDDHHMMSS

## Permitted Codes

List of permitted codes per data element

**3035** Party function code qualifier

Code	Name/Description
MR	Message recipient
MS	Document/message issuer/sender

## Permitted Codes

List of permitted codes per data element

**3055** Code list responsible agency code

Code	Name/Description
5	ISO (International Organization for Standardization)
10	ODETTE
16	US, D&B (Dun & Bradstreet Corporation)
91	Assigned by seller or seller's agent
92	Assigned by buyer or buyer's agent

## Permitted Codes

List of permitted codes per data element

**3139** Contact function code

Code	Name/Description
------	------------------

IC	Information contact
----	---------------------

## Permitted Codes

List of permitted codes per data element

**3155**            Communication means type code

Code	Name/Description
EM	Electronic mail
EX	Extension
FX	Telefax
IM	Internal mail
TE	Telephone

## Permitted Codes

List of permitted codes per data element

**3453** Language name code

Code	Name/Description
AA	Afar
aa	Afar
AB	Abkhazian
ab	Abkhazian
AE	Avestan
ae	Avestan
AF	Afrikaans
af	Afrikaans
AK	Akan
ak	Akan
AM	Amharic
am	Amharic
AN	Aragonese
an	Aragonese
AR	Arabic
ar	Arabic
AS	Assamese
as	Assamese
AV	Avaric
av	Avaric
AY	Aymara
ay	Aymara
AZ	Azerbaijani
az	Azerbaijani
BA	Bashkir
ba	Bashkir
BE	Belarusian
be	Belarusian
BG	Bulgarian
bg	Bulgarian
BH	Bihari
bh	Bihari
BI	Bislama
bi	Bislama

## Permitted Codes

List of permitted codes per data element

<b>BM</b>	Bambara
<b>bm</b>	Bambara
<b>BN</b>	Bengali
<b>bn</b>	Bengali
<b>BO</b>	Tibetan
<b>bo</b>	Tibetan
<b>BR</b>	Breton
<b>br</b>	Breton
<b>BS</b>	Bosnian
<b>bs</b>	Bosnian
<b>CA</b>	Catalan; Valencian
<b>ca</b>	Catalan; Valencian
<b>CE</b>	Chechen
<b>ce</b>	Chechen
<b>CH</b>	Chamorro
<b>ch</b>	Chamorro
<b>CO</b>	Corsican
<b>co</b>	Corsican
<b>CR</b>	Cree
<b>cr</b>	Cree
<b>CS</b>	Czech
<b>cs</b>	Czech
<b>CU</b>	Church Slavic; Old Slavonic; Church Slavonic; Old Bulgarian; Old Church Slavonic
<b>cu</b>	Church Slavic; Old Slavonic; Church Slavonic; Old Bulgarian; Old Church Slavonic
<b>CV</b>	Chuvash
<b>cv</b>	Chuvash
<b>CY</b>	Welsh
<b>cy</b>	Welsh
<b>DA</b>	Danish
<b>da</b>	Danish
<b>DE</b>	German
<b>de</b>	German
<b>DV</b>	Divehi; Dhivehi; Maldivian
<b>dv</b>	Divehi; Dhivehi; Maldivian
<b>DZ</b>	Dzongkha
<b>dz</b>	Dzongkha

## Permitted Codes

List of permitted codes per data element

<b>EE</b>	Ewe
<b>ee</b>	Ewe
<b>EL</b>	Greek; Modern (1453-)
<b>el</b>	Greek; Modern (1453-)
<b>EN</b>	English
<b>en</b>	English
<b>EO</b>	Esperanto
<b>eo</b>	Esperanto
<b>ES</b>	Spanish; Castilian
<b>es</b>	Spanish; Castilian
<b>ET</b>	Estonian
<b>et</b>	Estonian
<b>EU</b>	Basque
<b>eu</b>	Basque
<b>FA</b>	Persian
<b>fa</b>	Persian
<b>FF</b>	Fulah
<b>ff</b>	Fulah
<b>FI</b>	Finnish
<b>fi</b>	Finnish
<b>FJ</b>	Fijian
<b>fj</b>	Fijian
<b>FO</b>	Faroese
<b>fo</b>	Faroese
<b>FR</b>	French
<b>fr</b>	French
<b>FY</b>	Western Frisian
<b>fy</b>	Western Frisian
<b>GA</b>	Irish
<b>ga</b>	Irish
<b>GD</b>	Gaelic; Scottish Gaelic
<b>gd</b>	Gaelic; Scottish Gaelic
<b>GL</b>	Galician
<b>gl</b>	Galician
<b>GN</b>	Guarani
<b>gn</b>	Guarani



## Permitted Codes

List of permitted codes per data element

<b>GU</b>	Gujarati
<b>gu</b>	Gujarati
<b>GV</b>	Manx
<b>gv</b>	Manx
<b>HA</b>	Hausa
<b>ha</b>	Hausa
<b>HE</b>	Hebrew
<b>he</b>	Hebrew
<b>HI</b>	Hindi
<b>hi</b>	Hindi
<b>HO</b>	Hiri Motu
<b>ho</b>	Hiri Motu
<b>HR</b>	Croatian
<b>hr</b>	Croatian
<b>HT</b>	Haitian; Haitian Creole
<b>ht</b>	Haitian; Haitian Creole
<b>HU</b>	Hungarian
<b>hu</b>	Hungarian
<b>HY</b>	Armenian
<b>hy</b>	Armenian
<b>HZ</b>	Herero
<b>hz</b>	Herero
<b>IA</b>	Interlingua (International Auxiliary Language Association)
<b>ia</b>	Interlingua (International Auxiliary Language Association)
<b>ID</b>	Indonesian
<b>id</b>	Indonesian
<b>IE</b>	Interlingue; Occidental
<b>ie</b>	Interlingue; Occidental
<b>IG</b>	Igbo
<b>ig</b>	Igbo
<b>II</b>	Sichuan Yi; Nuosu
<b>ii</b>	Sichuan Yi; Nuosu
<b>IK</b>	Inupiaq
<b>ik</b>	Inupiaq
<b>IO</b>	Ido
<b>io</b>	Ido

## Permitted Codes

List of permitted codes per data element

<b>IS</b>	Icelandic
<b>is</b>	Icelandic
<b>IT</b>	Italian
<b>it</b>	Italian
<b>IU</b>	Inuktitut
<b>iu</b>	Inuktitut
<b>JA</b>	Japanese
<b>ja</b>	Japanese
<b>JV</b>	Javanese
<b>jv</b>	Javanese
<b>KA</b>	Georgian
<b>ka</b>	Georgian
<b>KG</b>	Kongo
<b>kg</b>	Kongo
<b>KI</b>	Kikuyu; Gikuyu
<b>ki</b>	Kikuyu; Gikuyu
<b>KJ</b>	Kuanyama; Kwanyama
<b>kj</b>	Kuanyama; Kwanyama
<b>KK</b>	Kazakh
<b>kk</b>	Kazakh
<b>KL</b>	Kalaallisut; Greenlandic
<b>kl</b>	Kalaallisut; Greenlandic
<b>KM</b>	Central Khmer
<b>km</b>	Central Khmer
<b>KN</b>	Kannada
<b>kn</b>	Kannada
<b>KO</b>	Korean
<b>ko</b>	Korean
<b>KR</b>	Kanuri
<b>kr</b>	Kanuri
<b>KS</b>	Kashmiri
<b>ks</b>	Kashmiri
<b>KU</b>	Kurdish
<b>ku</b>	Kurdish
<b>KV</b>	Komi
<b>kv</b>	Komi

## Permitted Codes

List of permitted codes per data element

<b>KW</b>	Cornish
<b>kw</b>	Cornish
<b>KY</b>	Kirghiz; Kyrgyz
<b>ky</b>	Kirghiz; Kyrgyz
<b>LA</b>	Latin
<b>la</b>	Latin
<b>LB</b>	Luxembourgish; Letzeburgesch
<b>lb</b>	Luxembourgish; Letzeburgesch
<b>LG</b>	Ganda
<b>lg</b>	Ganda
<b>LI</b>	Limburgan; Limburger; Limburgish
<b>li</b>	Limburgan; Limburger; Limburgish
<b>LN</b>	Lingala
<b>ln</b>	Lingala
<b>LO</b>	Lao
<b>lo</b>	Lao
<b>LT</b>	Lithuanian
<b>lt</b>	Lithuanian
<b>LU</b>	Luba-Katanga
<b>lu</b>	Luba-Katanga
<b>LV</b>	Latvian
<b>lv</b>	Latvian
<b>MG</b>	Malagasy
<b>mg</b>	Malagasy
<b>MH</b>	Marshallese
<b>mh</b>	Marshallese
<b>MI</b>	Maori
<b>mi</b>	Maori
<b>MK</b>	Macedonian
<b>mk</b>	Macedonian
<b>ML</b>	Malayalam
<b>ml</b>	Malayalam
<b>MN</b>	Mongolian
<b>mn</b>	Mongolian
<b>MO</b>	Moldavian; Moldovan
<b>mo</b>	Moldavian; Moldovan

## Permitted Codes

List of permitted codes per data element

<b>MR</b>	Marathi
<b>mr</b>	Marathi
<b>MS</b>	Malay
<b>ms</b>	Malay
<b>MT</b>	Maltese
<b>mt</b>	Maltese
<b>MY</b>	Burmese
<b>my</b>	Burmese
<b>NA</b>	Nauru
<b>na</b>	Nauru
<b>NB</b>	Bokmal Norwegian; Norwegian Bokmal
<b>nb</b>	Bokmal Norwegian; Norwegian Bokmal
<b>ND</b>	Ndebele; North; North Ndebele
<b>nd</b>	Ndebele; North; North Ndebele
<b>NE</b>	Nepali
<b>ne</b>	Nepali
<b>NG</b>	Ndonga
<b>ng</b>	Ndonga
<b>NL</b>	Dutch; Flemish
<b>nl</b>	Dutch; Flemish
<b>NN</b>	Norwegian Nynorsk; Nynorsk, Norwegian
<b>nn</b>	Norwegian Nynorsk; Nynorsk, Norwegian
<b>NO</b>	Norwegian
<b>no</b>	Norwegian
<b>NR</b>	Ndebele; South; South Ndebele
<b>nr</b>	Ndebele; South; South Ndebele
<b>NV</b>	Navajo; Navaho
<b>nv</b>	Navajo; Navaho
<b>NY</b>	Chichewa; Chewa; Nyanja
<b>ny</b>	Chichewa; Chewa; Nyanja
<b>OC</b>	Occitan (post 1500); Provencal
<b>oc</b>	Occitan (post 1500); Provencal
<b>OJ</b>	Ojibwa
<b>oj</b>	Ojibwa
<b>OM</b>	Oromo
<b>om</b>	Oromo

## Permitted Codes

List of permitted codes per data element

<b>OR</b>	Oriya
<b>or</b>	Oriya
<b>OS</b>	Ossetian; Ossetic
<b>os</b>	Ossetian; Ossetic
<b>PA</b>	Panjabi; Punjabi
<b>pa</b>	Panjabi; Punjabi
<b>PI</b>	Pali
<b>pi</b>	Pali
<b>PL</b>	Polish
<b>pl</b>	Polish
<b>PS</b>	Pushto; Pashto
<b>ps</b>	Pushto; Pashto
<b>PT</b>	Portuguese
<b>pt</b>	Portuguese
<b>QU</b>	Quechua
<b>qu</b>	Quechua
<b>RM</b>	Romansh
<b>rm</b>	Romansh
<b>RN</b>	Rundi
<b>rn</b>	Rundi
<b>RO</b>	Romanian
<b>ro</b>	Romanian
<b>RU</b>	Russian
<b>ru</b>	Russian
<b>RW</b>	Kinyarwanda
<b>rw</b>	Kinyarwanda
<b>SA</b>	Sanskrit
<b>sa</b>	Sanskrit
<b>SC</b>	Sardinian
<b>sc</b>	Sardinian
<b>SD</b>	Sindhi
<b>sd</b>	Sindhi
<b>SE</b>	Northern Sami
<b>se</b>	Northern Sami
<b>SG</b>	Sango
<b>sg</b>	Sango

## Permitted Codes

List of permitted codes per data element

<b>SI</b>	Sinhala; Sinhalese
<b>si</b>	Sinhala; Sinhalese
<b>SK</b>	Slovak
<b>sk</b>	Slovak
<b>SL</b>	Slovenian
<b>sl</b>	Slovenian
<b>SM</b>	Samoaan
<b>sm</b>	Samoaan
<b>SN</b>	Shona
<b>sn</b>	Shona
<b>SO</b>	Somali
<b>so</b>	Somali
<b>SQ</b>	Albanian
<b>sq</b>	Albanian
<b>SR</b>	Serbian
<b>sr</b>	Serbian
<b>SS</b>	Swati
<b>ss</b>	Swati
<b>ST</b>	Sotho, Southern
<b>st</b>	Sotho, Southern
<b>SU</b>	Sundanese
<b>su</b>	Sundanese
<b>SV</b>	Swedish
<b>sv</b>	Swedish
<b>SW</b>	Swahili
<b>sw</b>	Swahili
<b>TA</b>	Tamil
<b>ta</b>	Tamil
<b>TE</b>	Telugu
<b>te</b>	Telugu
<b>TG</b>	Tajik
<b>tg</b>	Tajik
<b>TH</b>	Thai
<b>th</b>	Thai
<b>TI</b>	Tigrinya
<b>ti</b>	Tigrinya

## Permitted Codes

List of permitted codes per data element

<b>TK</b>	Turkmen
<b>tk</b>	Turkmen
<b>TL</b>	Tagalog
<b>tl</b>	Tagalog
<b>TN</b>	Tswana
<b>tn</b>	Tswana
<b>TO</b>	Tonga (Tonga Islands)
<b>to</b>	Tonga (Tonga Islands)
<b>TR</b>	Turkish
<b>tr</b>	Turkish
<b>TS</b>	Tsonga
<b>ts</b>	Tsonga
<b>TT</b>	Tatar
<b>tt</b>	Tatar
<b>TW</b>	Twi
<b>tw</b>	Twi
<b>TY</b>	Tahitian
<b>ty</b>	Tahitian
<b>UG</b>	Uighur; Uyghur
<b>ug</b>	Uighur; Uyghur
<b>UK</b>	Ukrainian
<b>uk</b>	Ukrainian
<b>UR</b>	Urdu
<b>ur</b>	Urdu
<b>UZ</b>	Uzbek
<b>uz</b>	Uzbek
<b>VE</b>	Venda
<b>ve</b>	Venda
<b>VI</b>	Vietnamese
<b>vi</b>	Vietnamese
<b>VO</b>	Volapük
<b>vo</b>	Volapük
<b>WA</b>	Walloon
<b>wa</b>	Walloon
<b>WO</b>	Wolof
<b>wo</b>	Wolof

## Permitted Codes

List of permitted codes per data element

<b>XH</b>	Xhosa
<b>xh</b>	Xhosa
<b>YI</b>	Yiddish
<b>yi</b>	Yiddish
<b>YO</b>	Yoruba
<b>yo</b>	Yoruba
<b>ZA</b>	Zhuang; Chuang
<b>za</b>	Zhuang; Chuang
<b>ZH</b>	Chinese
<b>zh</b>	Chinese
<b>ZU</b>	Zulu
<b>zu</b>	Zulu



## Permitted Codes

List of permitted codes per data element

**4441** Free text description code

Code	Name/Description
E	Error
W	Warning

## Permitted Codes

List of permitted codes per data element

**4451** Text subject code qualifier

Code	Name/Description
AAO	Error description (free text)
ABV	Acceptance terms additional

## Permitted Codes

List of permitted codes per data element

**6069** Control total type code qualifier

Code	Name/Description
55	Total number of errors reported

