
Mercedes-Benz

Record description

Mercedes-Benz - VDA 4933 T1 - Global DESADV Transportauftrag Vollgut

based on

DESADV

Despatch advice message

UN D.07A S3

VDA-Version: V 2.7 - 2020

Mercedes-Benz-Version: 4.0

Print date: 2021-12-07

1. Message structure.....	2
2. Branching diagram.....	5
3. Segment details.....	10

Structure / Table of Contents

No	Tag	St	MaxOcc	Content
1	UNA	O	1	Service string advice UNA:+. ? ' '
2	UNB	M	1	Interchange header UNB+UNOC:3+OD012345:59:123+987654321:1:X+071205:1446+144659+++++1 '
3	UNH	M	1	Message header UNH+9+DESADV:D:07A:UN:GAVI27'
4	BGM	M	1	Beginning of message BGM+343::6+T0000048-DN0000000061+9'
5	DTM	R	1	Despatch advice date DTM+137:201712211230:203'
6	DTM	R	1	Requested shipment date DTM+10:201712221000:102'
7	DTM	O	1	Requested delivery date DTM+2:201905032045201905032300:719'
8	MEA	O	1	Consignment's gross weight MEA+AAX+AAD+KGM:9'
9	MEA	O	1	Total loading meter of the transport MEA+ACA+ACV+MTR:9'
	SG1	R	1	Pick-up sheet number
10	RFF	M	1	Pick-up sheet number RFF+AWU:DN0000000061'
	SG1	R	1	Transport number, assigned by Mercedes-Benz
11	RFF	M	1	Transport number, assigned by Mercedes-Benz RFF+AGK:T0000048'
	SG1	R	1	Bordero prefix
12	RFF	M	1	Bordero prefix RFF+AUS:2640'
	SG2	R	1	Ship from
13	NAD	M	1	Ship from NAD+SF+7654321::92++X:X+X:X++++DE'
	SG2	R	1	Ship to
14	NAD	M	1	ShipTo's name and address NAD+ST+X::92++X:X+X:X++++DE'
15	LOC	R	1	Place of discharge LOC+11+X:::X'
	SG2	R	1	Buyer

Tag = Segment-/Group Tag
No = Consecutive segment number
MaxOcc = Maximum occurrence of the segment/group

St = Status
EDIFACT: M=Mandatory, C=Conditional
Usage: R=Required, O=Optional, D=Dependent, A=Advised,
N=Not used

Structure / Table of Contents

No	Tag	St	MaxOcc	Content
16	NAD	M	1	Buyer's name and address NAD+BY+MERCEDES-BENZ : : 92 '
SG2 R 1 Freight forwarder				
17	NAD	M	1	Freight forwarder's name and address NAD+FW+X : : 92++X:X+X:X++++DE '
SG6 R 1 Means of transport				
18	TDI	M	1	Transport information TDI+12+++T01 '
19	TMD	R	1	Transport relation TMD+X01+1 '
SG10 R 9999 Packaging level				
20	CPS	M	1	Consignment packing sequence CPS+9++4 '
SG11 R 1 Group of packaging items				
21	PAC	M	1	Package PAC+9+ : 35+4A : : 92 '
22	MEA	O	1	Length MEA+AA+LN+MMT : 9 '
23	MEA	O	1	Width MEA+AA+WD+MMT : 9 '
24	MEA	O	1	Height MEA+AA+HT+MMT : 9 '
25	MEA	O	1	Gross weight of the inner packaging item MEA+AA+G+KGM : 9 '
26	MEA	R	1	Maximum stacking weight MEA+ABR+AFE+KGM : 9 '
SG17 R 9999 Article and Despatched Article				
27	LIN	M	1	Buyer's part number LIN+000100++A2053200104 : IN '
28	QTY	R	1	Despatched quantity QTY+12 : 9 : C62 '
29	ALI	O	1	Preference information ALI++N '
SG19 O 1 Dangerous goods information				
30	DGS	M	1	Dangerous goods DGS+ADR++1868+500 : CEL '

Tag = Segment-/Group Tag
No = Consecutive segment number
MaxOcc = Maximum occurrence of the segment/group

St = Status
EDIFACT: M=Mandatory, C=Conditional
Usage: R=Required, O=Optional, D=Dependent, A=Advised,
N=Not used

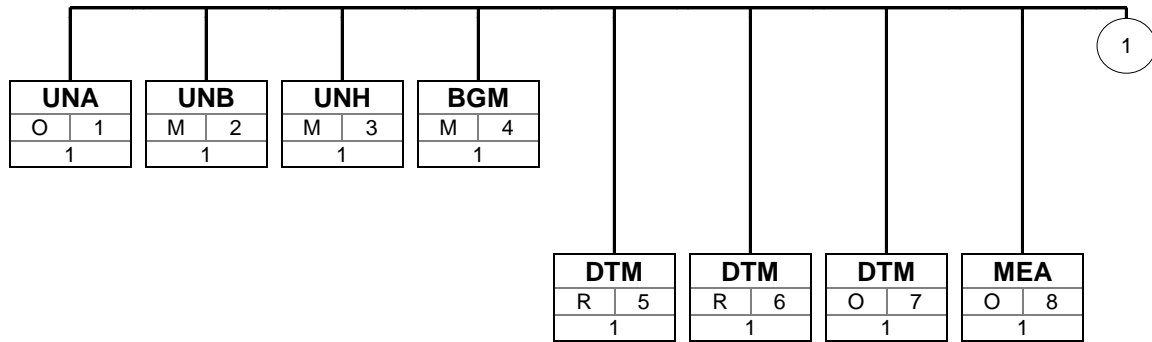
Structure / Table of Contents

No	Tag	St	MaxOcc	Content
31	UNT	M	1	Message trailer UNT+28+9'
32	UNZ	M	1	Interchange trailer UNZ+1+144659'

Tag = Segment-/Group Tag
No = Consecutive segment number
MaxOcc = Maximum occurrence of the segment/group

St = Status
EDIFACT: M=Mandatory, C=Conditional
Usage: R=Required, O=Optional, D=Dependent, A=Advised,
N=Not used

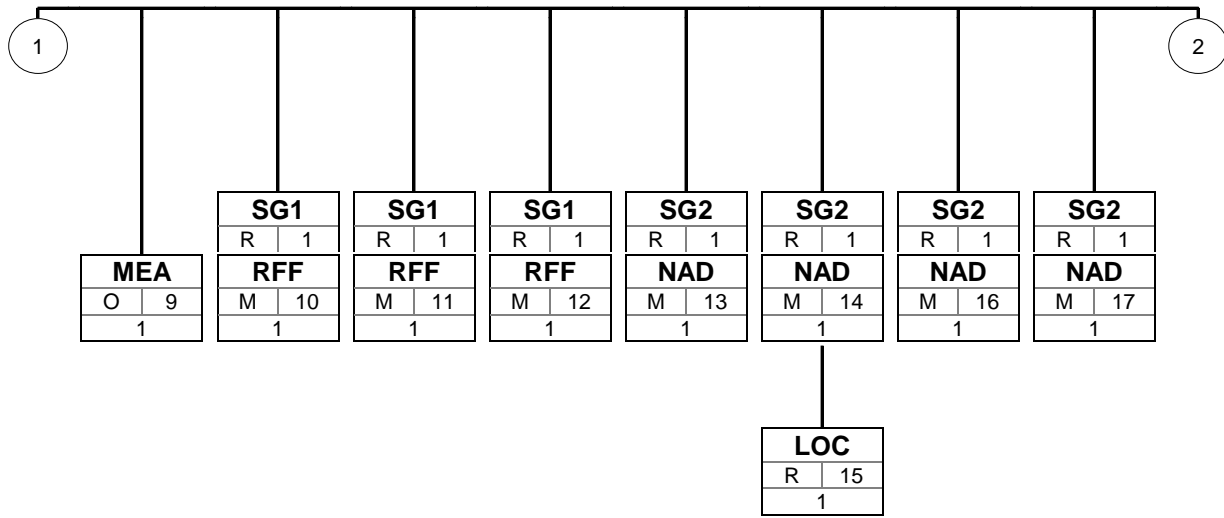
Branching Diagram of Used Segments/Groups



Tag
St No
MaxOcc

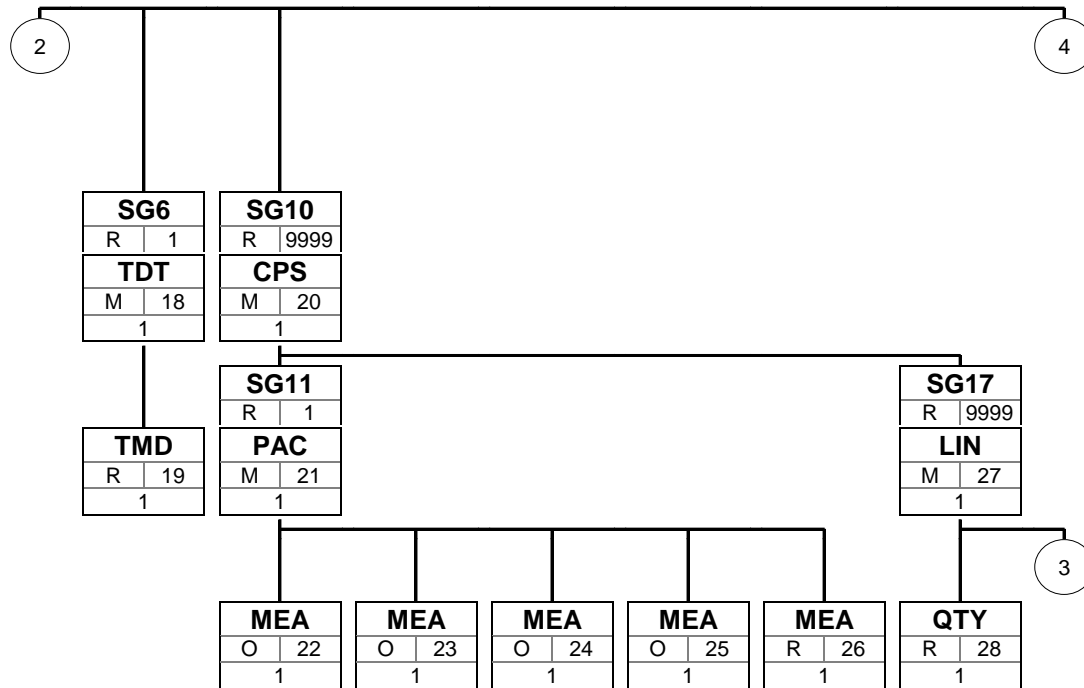
Tag = Segment-/Group Tag, No = Consecutive segment number,
 St = Status: M=Mandatory, R=Required, C=Conditional, O=Optional, D=Dependent, A=Advised, N=Not used
 MaxOcc = Maximum occurrence of the segment/group

Branching Diagram of Used Segments/Groups



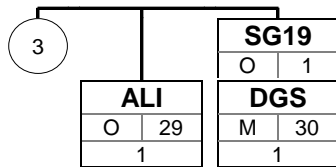
Tag	Tag = Segment-/Group Tag, No = Consecutive segment number,
St No	St = Status: M=Mandatory, R=Required, C=Conditional, O=Optional, D=Dependent, A=Advised, N=Not used
MaxOcc	MaxOcc = Maximum occurrence of the segment/group

Branching Diagram of Used Segments/Groups



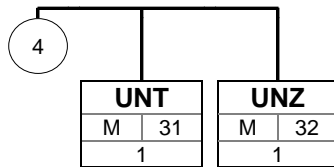
Tag	Tag = Segment-/Group Tag, No = Consecutive segment number,
St No	St = Status: M=Mandatory, R=Required, C=Conditional, O=Optional, D=Dependent, A=Advised, N=Not used
MaxOcc	MaxOcc = Maximum occurrence of the segment/group

Branching Diagram of Used Segments/Groups



Tag	Tag = Segment-/Group Tag, No = Consecutive segment number,
St No	St = Status: M=Mandatory, R=Required, C=Conditional, O=Optional, D=Dependent, A=Advised, N=Not used
MaxOcc	MaxOcc = Maximum occurrence of the segment/group

Branching Diagram of Used Segments/Groups



Tag	
St	No
MaxOcc	

Tag = Segment-/Group Tag, No = Consecutive segment number,

St = Status: M=Mandatory, R=Required, C=Conditional, O=Optional, D=Dependent, A=Advised, N=Not used

MaxOcc = Maximum occurrence of the segment/group

Segments

No	Tag	St	MaxOcc	Name
1	UNA	O	1	Service string advice

Tag	Name	St	Format	Example	Usage / Remarks
UNA				UNA	
UNA1	Component data element separator	M	an1	:	Colon;
UNA2	Data element separator	M	an1	+	Plus
UNA3	Decimal notation	M	an1	.	Decimal point
UNA4	Release indicator	M	an1	?	Question mark
UNA5	Reserved for future use	M	an1		Blank
UNA6	Segment terminator	M	an1	'	Apostrophe

Remark:

Example:

UNA: + . ? ' '

No = Consecutive segment number, MaxOcc = Maximum occurrence of the segment/group St = Status: M/R = Mandatory/Required, C/O = Conditional/Optional, D = Dependent, N = Not used, a3 = exactly 3 alphabetic characters, n3 = exactly 3 numeric characters, an3 = exactly 3 alphanumeric characters, a..3 = up to 3 alphabetic characters, n..3 = up to 3 numeric characters, an..3 = up to 3 alphanumeric characters

Segments

No	Tag	St	MaxOcc	Name	
2	UNB	M	1	Interchange header	

Tag	Name	St	Format	Example	Usage / Remarks
UNB				UNB	
S001	Syntax identifier	M			
0001	Syntax identifier	M	a4	+UNOC	UNOB UN/ECE level B UNOC UN/ECE level C
0002	Syntax version number	M	n1	:3	2 Version 2 3 Version 3
S002	Interchange sender	M			
0004	Sender identification	M	an..35	+OD012345	Unique ID of the sender in the data transmission network or system.
0007	Partner identification code qualifier	O	an..4	:59	
0008	Address for reverse routing	O	an..14	:123	Address of an application or internal system at sender's site to which answer messages should be routed.
S003	Interchange recipient	M			
0010	Recipient identification	M	an..35	+987654321	Unique ID of the receiver in the data transmission network or system.
0007	Partner identification code qualifier	O	an..4	:1	
0014	Routing address	C	an..14	:X	Address of an application or internal system at recipient's site.
S004	Date/time of preparation	M			
0017	Date of preparation	M	n6	+071205	Format YYMMDD
0019	Time of preparation	M	n4	:1446	Format HHMM
0020	Interchange control reference	M	an..14	+144659	Unique ID of an interchange.
S005	Recipient's reference, password	N			
0022	Recipient's reference/password	N		+	Nicht benutzt
0026	Application reference	N		+	Nicht benutzt
0029	Processing priority code	N		+	Nicht benutzt
0031	Acknowledgement request	N		+	Nicht benutzt
0032	Communications agreement ID	N		+	Nicht benutzt
0035	Test indicator	O	n1	+1'	1 Interchange is a test Only to be used, if the interchange is for test purposes. Omit this data element for valid interchanges.

Remark:

The structure of the EDIFACT interchange and the specification of the service segments for electronic data exchange used in the automotive industry are described in detail in the VDA Recommendation 4900.

Example:

UNB+UNOC:3+OD012345:59:123+987654321:1:X+071205:1446+144659+++++1'

No = Consecutive segment number, MaxOcc = Maximum occurrence of the segment/group St = Status: M/R = Mandatory/Required, C/O = Conditional/Optional, D = Dependent, N = Not used, a3 = exactly 3 alphabetic characters, n3 = exactly 3 numeric characters, an3 = exactly 3 alphanumeric characters, a..3 = up to 3 alphabetic characters, n..3 = up to 3 numeric characters, an..3 = up to 3 alphanumeric characters

Segments

No	Tag	St	MaxOcc	Name
3	UNH	M	1	Message header

Tag	Name	St	Format	Example	Usage / Remarks
UNH				UNH	
0062	Message reference number	M	an..14	+9	Message reference number
S009	Message identifier	M			
0065	Message type	M	an..6	+DESADV	DESADV Despatch advice message
0052	Message version number	M	an..3	:D	D Draft version/UN/EDIFACT Directory
0054	Message release number	M	an..3	:07A	07A Release 2007 - A
0051	Controlling agency	M	an..2	:UN	UN UN/CEFACT
0057	Association assigned code	O	an..6	:GAVI27'	Identification of the subset release, assigned by the responsible organisation (Odette). GAVI27 VDA DESADV - Transport order V2.7

Remark:

Example:

UNH+9+DESADV:D:07A:UN:GAVI27'

No = Consecutive segment number, MaxOcc = Maximum occurrence of the segment/group St = Status: M/R = Mandatory/Required, C/O = Conditional/Optional, D = Dependent, N = Not used, a3 = exactly 3 alphabetic characters, n3 = exactly 3 numeric characters, an3 = exactly 3 alphanumeric characters, a..3 = up to 3 alphabetic characters, n..3 = up to 3 numeric characters, an..3 = up to 3 alphanumeric characters

Segments

No	Tag	St	MaxOcc	Name
4	BGM	M	1	Beginning of message

Tag	Name	St	Format	Example	Usage / Remarks
BGM				BGM	
C002	Document/message name	R			
1001	Document name code	R	an..3	+343	343 Cartage order (local transport)
1131	Code list identification code	N		:	Nicht benutzt
3055	Code list responsible agency code	O	an..3	: 6	6 UN/ECE (United Nations - Economic Commission for Europe)
C106	Document/message identification	R			
1004	Document identifier	R	an..35	+T0000048-DN0000000061	Unique identifier of a document. Synonym: document number
1225	Message function code	R	an..3	+9'	9 Original

Remark:

Example:

BGM+343:::6+T0000048-DN0000000061+9'

No = Consecutive segment number, MaxOcc = Maximum occurrence of the segment/group St = Status: M/R = Mandatory/Required, C/O = Conditional/Optional, D = Dependent, N = Not used, a3 = exactly 3 alphabetic characters, n3 = exactly 3 numeric characters, an3 = exactly 3 alphanumeric characters, a..3 = up to 3 alphabetic characters, n..3 = up to 3 numeric characters, an..3 = up to 3 alphanumeric characters

Segments

No	Tag	St	MaxOcc	Name
5	DTM	R	1	Despatch advice date

Tag	Name	St	Format	Example	Usage / Remarks
DTM				DTM	
C507	Date/time/period	M			
2005	Date or time or period function code qualifier	M	an..3	+137	137 Document issue date time
2380	Date or time or period text	R	an..12	:201712211230	Date, on which a document or business signal was issued.
2379	Date or time or period format code	R	an..3	:203'	203 CCYYMMDDHHMM

Remark:

Example:

DTM+137:201712211230:203'

No = Consecutive segment number, MaxOcc = Maximum occurrence of the segment/group St = Status: M/R = Mandatory/Required, C/O = Conditional/Optional, D = Dependent, N = Not used, a3 = exactly 3 alphabetic characters, n3 = exactly 3 numeric characters, an3 = exactly 3 alphanumeric characters, a..3 = up to 3 alphabetic characters, n..3 = up to 3 numeric characters, an..3 = up to 3 alphanumeric characters

Segments

No	Tag	St	MaxOcc	Name
6	DTM	R	1	Requested shipment date

Tag	Name	St	Format	Example	Usage / Remarks
DTM				DTM	
C507	Date/time/period	M			
2005	Date or time or period function code qualifier	M	an..3	+10	10 Shipment date/time, requested
2380	Date or time or period text	R	an..25	:201712221000	Requested shipment date
2379	Date or time or period format code	R	an..3	:102'	The use of time / time window depends on the concrete contract between the customer, supplier and transport service provider. 102 CCYMMDD 719 CCYMMDDHHMM-CCYMMDDHHMM 203 CCYMMDDHHMM

Remark:

Example:

DTM+10:201712221000:102'

No = Consecutive segment number, MaxOcc = Maximum occurrence of the segment/group St = Status: M/R = Mandatory/Required, C/O = Conditional/Optional, D = Dependent, N = Not used, a3 = exactly 3 alphabetic characters, n3 = exactly 3 numeric characters, an3 = exactly 3 alphanumeric characters, a..3 = up to 3 alphabetic characters, n..3 = up to 3 numeric characters, an..3 = up to 3 alphanumeric characters

Segments

No	Tag	St	MaxOcc	Name
7	DTM	O	1	Requested delivery date

Tag	Name	St	Format	Example	Usage / Remarks
DTM				DTM	
C507	Date/time/period	M			
2005	Date or time or period function code qualifier	M	an..3	+2	2 Delivery date/time, requested
2380	Date or time or period text	R	n..24	: 2019050320452019 05032300	Target goods receipt date/time = SWET Binding date/time set by customer for receipt of goods (as transmitted in DELFOR or DELJIT (JIT/JIS)).
2379	Date or time or period format code	R	an..3	:719'	102 CCYMMDD 719 CCYMMDDHHMM- CCYMMDDHHMM

Remark:

Example:

DTM+2:201905032045201905032300:719'

No = Consecutive segment number, MaxOcc = Maximum occurrence of the segment/group St = Status: M/R = Mandatory/Required, C/O = Conditional/Optional, D = Dependent, N = Not used, a3 = exactly 3 alphabetic characters, n3 = exactly 3 numeric characters, an3 = exactly 3 alphanumeric characters, a..3 = up to 3 alphabetic characters, n..3 = up to 3 numeric characters, an..3 = up to 3 alphanumeric characters

Segments

No	Tag	St	MaxOcc	Name
8	MEA	O	1	Consignment's gross weight

Tag	Name	St	Format	Example	Usage / Remarks
MEA				MEA	
6311	Measurement purpose code qualifier	M	an..3	+AAX	AAX Consignment measurement
C502	Measurement details	R			
6313	Measured attribute code	R	an..3	+AAD	AAD Consignment gross weight
C174	Value/range	R			
6411	Measurement unit code	M	an..8	+KGM	KGM kilogram
6314	Measure	R	n..12	:9'	Gross weight - weight (mass) without carrier's equipment

Remark:

Example:

MEA+AAX+AAD+KGM:9'

No = Consecutive segment number, MaxOcc = Maximum occurrence of the segment/group St = Status: M/R = Mandatory/Required, C/O = Conditional/Optional,
D = Dependent, N = Not used, a3 = exactly 3 alphabetic characters, n3 = exactly 3 numeric characters, an3 = exactly 3 alphanumeric characters,
a..3 = up to 3 alphabetic characters, n..3 = up to 3 numeric characters, an..3 = up to 3 alphanumeric characters

Segments

No	Tag	St	MaxOcc	Name
9	MEA	O	1	Total loading meter of the transport

Tag	Name	St	Format	Example	Usage / Remarks
MEA				MEA	
6311	Measurement purpose code qualifier	M	an..3	+ACA	ACA Space occupied
C502	Measurement details	R			
6313	Measured attribute code	R	an..3	+ACV	ACV Loading meters
C174	Value/range	R			
6411	Measurement unit code	M	an..8	+MTR	MTR metre
6314	Measure	R	an..18	: 9'	Total loading meter of the transport

Remark:

Example:

MEA+ACA+ACV+MTR: 9'

No = Consecutive segment number, MaxOcc = Maximum occurrence of the segment/group St = Status: M/R = Mandatory/Required, C/O = Conditional/Optional, D = Dependent, N = Not used, a3 = exactly 3 alphabetic characters, n3 = exactly 3 numeric characters, an3 = exactly 3 alphanumeric characters, a..3 = up to 3 alphabetic characters, n..3 = up to 3 numeric characters, an..3 = up to 3 alphanumeric characters

Segments

No	Tag	St	MaxOcc	Name
	SG1	R	1	Pick-up sheet number
10	RFF	M	1	Pick-up sheet number

Tag	Name	St	Format	Example	Usage / Remarks
RFF				RFF	
C506	Reference	M			
1153	Reference code qualifier	M	an..3	+AWU	AWU Pick-up sheet number
1154	Reference identifier	R	an12	:DN0000000061'	Pick-up sheet number

Remark:

Example:

RFF+AWU:DN0000000061'

No = Consecutive segment number, MaxOcc = Maximum occurrence of the segment/group St = Status: M/R = Mandatory/Required, C/O = Conditional/Optional, D = Dependent, N = Not used, a3 = exactly 3 alphabetic characters, n3 = exactly 3 numeric characters, an3 = exactly 3 alphanumeric characters, a..3 = up to 3 alphabetic characters, n..3 = up to 3 numeric characters, an..3 = up to 3 alphanumeric characters

Segments

No	Tag	St	MaxOcc	Name
	SG1	R	1	Transport number, assigned by Mercedes-Benz
11	RFF	M	1	Transport number, assigned by Mercedes-Benz

Tag	Name	St	Format	Example	Usage / Remarks
RFF				RFF	
C506	Reference	M			
1153	Reference code qualifier	M	an..3	+AGK	AGK Application reference number
1154	Reference identifier	R	an..35	:T0000048'	Transport number, assigned by Mercedes-Benz

Remark:

Example:

RFF+AGK:T0000048'

Segments

No	Tag	St	MaxOcc	Name
	SG1	R	1	Bordero prefix
12	RFF	M	1	Bordero prefix

Tag	Name	St	Format	Example	Usage / Remarks
RFF				RFF	
C506	Reference	M			
1153	Reference code qualifier	M	an..3	+AUS	AUS Delivery route reference
1154	Reference identifier	R	an..70	:2640'	Bordero prefix

Remark:

The use of this segments is being applied for from the VDA.

Example:

RFF+AUS:2640'

Segments

No	Tag	St	MaxOcc	Name
	SG2	R	1	Ship from
13	NAD	M	1	Ship from

Tag	Name	St	Format	Example	Usage / Remarks
NAD				NAD	
3035	Party function code qualifier	M	an..3	+SF	SF Ship from
C082	Party identification details	O			
3039	Party identifier	R	an..20	+7654321	Unique identification of a party by an ID.
1131	Code list identification code	N		:	Nicht benutzt
3055	Code list responsible agency code	R	an..3	:92	92 Assigned by buyer or buyer's agent Code specifying the agency responsible for a code list.
C058	Name and address	N			
3124	Name and address description	N		+	Nicht benutzt
C080	Party name	O			
3036	Party name	M	an..35	+X	Single text line for specification of a name
3036	Party name	O	an..35	:X	see 3036 # 1
C059	Street	O			
3042	Street and number or post office box identifier	M	an..35	+X	The name that identifies the location of a house or building; usually within a street as part of an address.
3042	Street and number or post office box identifier	O	an..35	:X	see 3042 # 1
3164	City name	O	an..35	+	The name of the city, town, or village of this address.
C819	Country subdivision details	O			
3229	Country subdivision identifier	R	an..9	+	State or region within a country. The use of UN LoCodes is recommended.
3251	Postal identification code	O	an..17	+	The identifier for one or more properties according to the postal service of that country; a group of letters and/or numbers added to the postal address to assist in the sorting of mail.
3207	Country identifier	O	a2	+DE'	Provides the country part of an address using a code. Use ISO3166 two alpha code.

Remark:

The party, which consigns or sends goods.

Example:

NAD+SF+7654321 : : 92++X:X+X:X++++DE'

Segments

No	Tag	St	MaxOcc	Name
	SG2	R	1	Ship to
14	NAD	M	1	ShipTo's name and address

Tag	Name	St	Format	Example	Usage / Remarks
NAD				NAD	
3035	Party function code qualifier	M	an..3	+ST	ST Ship to
C082	Party identification details	R			
3039	Party identifier	R	an..20	+X	Party or Plant ID.
1131	Code list identification code	N		:	Nicht benutzt
3055	Code list responsible agency code	R	an..3	:92	92 Assigned by buyer or buyer's agent Code specifying the agency responsible for a code list.
C058	Name and address	N			
3124	Name and address description	N		+	Nicht benutzt
C080	Party name	O			
3036	Party name	M	an..35	+X	Single text line for specification of a name
3036	Party name	O	an..35	:X	Single text line for specification of a name
C059	Street	O			
3042	Street and number or post office box identifier	M	an..35	+X	The name that identifies the location of a house or building; usually within a street as part of an address.
3042	Street and number or post office box identifier	O	an..35	:X	
3164	City name	O	an..35	+	The name of the city, town, or village of this address.
C819	Country subdivision details	O			
3229	Country subdivision identifier	C	an..9	+	State or region within a country. The use of UN LoCodes is recommended.
3251	Postal identification code	O	an..17	+	The identifier for one or more properties according to the postal service of that country; a group of letters and/or numbers added to the postal address to assist in the sorting of mail.
3207	Country identifier	O	a2	+DE '	Provides the country part of an address using a code. Use ISO3166 two alpha code. The codes of this code list are documented in a separate document

Remark:

The party to which goods are to be shipped (consigned).

Example:

NAD+ST+X: : 92+X:X+X:X+++DE '

Segments

No	Tag	St	MaxOcc	Name
	SG2	R	1	Ship to
15	LOC	R	1	Place of discharge

Tag	Name	St	Format	Example	Usage / Remarks
LOC				LOC	
3227	Location function code qualifier	M	an..3	+11	11 Place of discharge
C517	Location identification	R			
3225	Location identifier	O	an..35	+X	Identifier of location, site, etc.
1131	Code list identification code	N		:	Nicht benutzt
3055	Code list responsible agency code	N		:	Nicht benutzt
3224	Location name	O	an..256	:X'	Name of place/location; if necessary, use complete address.

Remark:

Example:

LOC+11+X:::X'

Segments

No	Tag	St	MaxOcc	Name
	SG2	R	1	Buyer Party to whom merchandise and/or service is sold.
16	NAD	M	1	Buyer's name and address

Tag	Name	St	Format	Example	Usage / Remarks
NAD				NAD	
3035	Party function code qualifier	M	an..3	+BY	BY Buyer
C082	Party identification details	R			
3039	Party identifier	M	an..35	+MERCEDES-BENZ	
1131	Code list identification code	N		:	Nicht benutzt
3055	Code list responsible agency code	R	an..3	:92 '	92 Assigned by buyer or buyer's agent Code specifying the agency responsible for a code list.

Remark:

Example:

NAD+BY+MERCEDES-BENZ : : 92 '

Segments

No	Tag	St	MaxOcc	Name
	SG2	R	1	Freight forwarder
17	NAD	M	1	Freight forwarder's name and address

Tag	Name	St	Format	Example	Usage / Remarks
NAD				NAD	
3035	Party function code qualifier	M	an..3	+FW	FW Freight forwarder
C082	Party identification details	R			
3039	Party identifier	R	an..35	+X	
1131	Code list identification code	N		:	Nicht benutzt
3055	Code list responsible agency code	R	an..3	:92	92 Assigned by buyer or buyer's agent Code specifying the agency responsible for a code list.
C058	Name and address	N			
3124	Name and address description	N		+	Nicht benutzt
C080	Party name	O			
3036	Party name	M	an..35	+X	Freight Forwarder's Name Single text line for specification of a name see 3036 # 1
3036	Party name	O	an..35	:X	
C059	Street	O			
3042	Street and number or post office box identifier	M	an..35	+X	The name that identifies the location of a house or building: usually within a street as part of an address.
3042	Street and number or post office box identifier	O	an..35	:X	see 3042 # 1
3164	City name	O	an..35	+	The name of the city, town, or village of this address.
C819	Country subdivision details	O			
3229	Country subdivision identifier	R	an..9	+	State or region within a country. The use of UN LoCodes is recommended.
3251	Postal identification code	O	an..17	+	The identifier for one or more properties according to the postal service of that country; a group of letters and/or numbers added to the postal address to assist in the sorting of mail.
3207	Country identifier	O	a2	+DE '	Provides the country part of an address using a code. Use ISO3166 two alpha code.

Remark:

Example:

NAD+FW+X: : 92+X: X+X: X++++DE '

Segments

No	Tag	St	MaxOcc	Name
	SG6	R	1	Means of transport
18	TDT	M	1	Transport information

Tag	Name	St	Format	Example	Usage / Remarks
TDT				TDT	
8051	Transport stage code qualifier	M	an..3	+12	12 At departure Identification of the point or port of departure, shipment or destination as required under the applicable incoterms.
8028	Means of transport journey identifier	N		+	Nicht benutzt
C220	Mode of transport	N			
8067	Transport mode name code	N		+	Nicht benutzt
C001	Transport means	R			
8179	Transport means description code	R	an..8	+T01'	T01 Eurotrailer H 2.6, W 2.48, L 13.6 tarpauline or box T02 Megatrailer H 3.0, W 2.48, L 13.6 tarpauline or box T03 Jumbo swap body L 7.82, H 3.0, W 2.48 m T04 Jumbo trailer pull T05 7.5 ton T06 VAN / bus T07 Car T08 Aircraft T09 Ocean Vessel T10 Gigaliner T11 Tautliner T12 Railway wagon T13 Gooseneck Chassis

Remark:

Example:

TDT+12+++T01'

No = Consecutive segment number, MaxOcc = Maximum occurrence of the segment/group St = Status: M/R = Mandatory/Required, C/O = Conditional/Optional, D = Dependent, N = Not used, a3 = exactly 3 alphabetic characters, n3 = exactly 3 numeric characters, an3 = exactly 3 alphanumeric characters, a..3 = up to 3 alphabetic characters, n..3 = up to 3 numeric characters, an..3 = up to 3 alphanumeric characters

Segments

No	Tag	St	MaxOcc	Name
	SG6	R	1	Means of transport
19	TMD	R	1	Transport relation

Tag	Name	St	Format	Example	Usage / Remarks
TMD				TMD	
C219	Movement type	R			
8335	Movement type description code	R	an..3	+X01	Transport mode X01 Full truck load - with separate tender X02 Full truck load - within the scope of area contract freight forwarder X03 Milk run during unloading - with separate tender, direct contract X04 Milk run during unloading - within the scope of area contract freight forwarder X05 Distribution by area contract freight forwarder X06 Milk run during loading - with separate tender, direct contract X07 Milk run during loading - within the scope of area contract freight forwarder X08 Milk run during loading and unloading - with separate tender, direct contract X09 Milk run during loading and unloading - within the scope of area contract freight forwarder
8332	Equipment plan description	O	an..26	+1'	Loading sequence of a shipment on a means of transport (1 to 99)

Remark:

Example:

TMD+X01+1'

No = Consecutive segment number, MaxOcc = Maximum occurrence of the segment/group St = Status: M/R = Mandatory/Required, C/O = Conditional/Optional, D = Dependent, N = Not used, a3 = exactly 3 alphabetic characters, n3 = exactly 3 numeric characters, an3 = exactly 3 alphanumeric characters, a..3 = up to 3 alphabetic characters, n..3 = up to 3 numeric characters, an..3 = up to 3 alphanumeric characters

Segments

No	Tag	St	MaxOcc	Name
	SG10	R	9999	Packaging level
20	CPS	M	1	Consignment packing sequence

Tag	Name	St	Format	Example	Usage / Remarks
CPS				CPS	
7164	Hierarchical structure level identifier	R	n..6	+9	Line Number Sequential number generated by the sender to identify a line item within a message.
7166	Hierarchical structure parent identifier	N		+	Nicht benutzt
7075	Packaging level code	R	an..3	+4'	If Code 4 is used, no parent relationship exists (simplified handling unit concept). Code specifying a level of packaging. 4 No packaging hierarchy

Remark:

Example:

CPS+9++4'

No = Consecutive segment number, MaxOcc = Maximum occurrence of the segment/group St = Status: M/R = Mandatory/Required, C/O = Conditional/Optional, D = Dependent, N = Not used, a3 = exactly 3 alphabetic characters, n3 = exactly 3 numeric characters, an3 = exactly 3 alphanumeric characters, a..3 = up to 3 alphabetic characters, n..3 = up to 3 numeric characters, an..3 = up to 3 alphanumeric characters

Segments

No	Tag	St	MaxOcc	Name
	SG10	R	9999	Packaging level
	SG11	R	1	Group of packaging items
21	PAC	M	1	Package

Tag	Name	St	Format	Example	Usage / Remarks
PAC				PAC	
7224	Package quantity	R	n..6	+9	Actual number of packages or handling units, e.g. belonging to a group of packages. Considered to be a number of identical packages.
C531	Packaging details	R			
7075	Packaging level code	N		+	Nicht benutzt
7233	Packaging related description code	R	an..3	:35	35 Type of package
C202	Package type	R			
7065	Package type description code	R	an..17	+4A	Designation of packaging (packaging code of customer)
1131	Code list identification code	N		:	Nicht benutzt
3055	Code list responsible agency code	R	an..3	:92'	92 Assigned by buyer or buyer's agent

Remark:

Example:

PAC+9+:35+4A:::92'

Segments

No	Tag	St	MaxOcc	Name
	SG10	R	9999	Packaging level
	SG11	R	1	Group of packaging items
22	MEA	O	1	Length

Tag	Name	St	Format	Example	Usage / Remarks
MEA				MEA	
6311	Measurement purpose code qualifier	M	an..3	+AAY	AAY Package measurement
C502	Measurement details	R			
6313	Measured attribute code	O	an..3	+LN	LN Length
C174	Value/range	R			
6411	Measurement unit code	M	an..8	+MMT	Code specifying the unit of measurement, use UN/ECE Rec. 20 MMT millimetre
6314	Measure	R	n..5	:9'	

Remark:

Example:

MEA+AAY+LN+MMT : 9'

No = Consecutive segment number, MaxOcc = Maximum occurrence of the segment/group St = Status: M/R = Mandatory/Required, C/O = Conditional/Optional,
D = Dependent, N = Not used, a3 = exactly 3 alphabetic characters, n3 = exactly 3 numeric characters, an3 = exactly 3 alphanumeric characters,
a..3 = up to 3 alphabetic characters, n..3 = up to 3 numeric characters, an..3 = up to 3 alphanumeric characters

Segments

No	Tag	St	MaxOcc	Name
	SG10	R	9999	Packaging level
	SG11	R	1	Group of packaging items
23	MEA	O	1	Width

Tag	Name	St	Format	Example	Usage / Remarks
MEA				MEA	
6311	Measurement purpose code qualifier	M	an..3	+AAY	AAY Package measurement
C502	Measurement details	R			
6313	Measured attribute code	R	an..3	+WD	WD Width dimension
C174	Value/range	R			
6411	Measurement unit code	M	an..8	+MMT	Code specifying the unit of measurement, use UN/ECE Rec. 20 MMT millimetre
6314	Measure	R	n..5	:9'	

Remark:

Example:

MEA+AAY+WD+MMT : 9'

Segments

No	Tag	St	MaxOcc	Name
	SG10	R	9999	Packaging level
	SG11	R	1	Group of packaging items
24	MEA	O	1	Height

Tag	Name	St	Format	Example	Usage / Remarks
MEA				MEA	
6311	Measurement purpose code qualifier	M	an..3	+AAY	AAY Package measurement
C502	Measurement details	R			
6313	Measured attribute code	R	an..3	+HT	HT Height dimension
C174	Value/range	R			
6411	Measurement unit code	M	an..8	+MMT	Code specifying the unit of measurement, use UN/ECE Rec. 20 MMT millimetre
6314	Measure	R	n..9	:9'	

Remark:

Example:

MEA+AAY+HT+MMT : 9'

Segments

No	Tag	St	MaxOcc	Name
	SG10	R	9999	Packaging level
	SG11	R	1	Group of packaging items
25	MEA	O	1	Gross weight of the inner packaging item

Tag	Name	St	Format	Example	Usage / Remarks
MEA				MEA	
6311	Measurement purpose code qualifier	M	an..3	+AAY	AAY Package measurement
C502	Measurement details	R			
6313	Measured attribute code	R	an..3	+G	G Gross weight
C174	Value/range	R			
6411	Measurement unit code	M	an..8	+KGM	Code specifying the unit of measurement, use UN/ECE Rec. 20 KGM kilogram
6314	Measure	R	n..12	: 9'	Gross weight - weight (mass) without carrier's equipment

Remark:

Example:

MEA+AAY+G+KGM: 9'

Segments

No	Tag	St	MaxOcc	Name
	SG10	R	9999	Packaging level
	SG11	R	1	Group of packaging items
26	MEA	R	1	Maximum stacking weight

Tag	Name	St	Format	Example	Usage / Remarks
MEA				MEA	
6311	Measurement purpose code qualifier	M	an..3	+ABR	ABR Certified weight
C502	Measurement details	R			
6313	Measured attribute code	R	an..3	+AFE	AFE Maximum stacking weight
C174	Value/range	R			
6411	Measurement unit code	M	an..8	+KGM	KGM kilogram
6314	Measure	R	n..12	: 9'	Max. load bearing capacity

Remark:

Maximum weight to which a packaging may be filled or maximum weight that may be placed on a piece of equipment.

Example:

MEA+ABR+AFE+KGM: 9'

Segments

No	Tag	St	MaxOcc	Name
	SG10	R	9999	Packaging level
	SG17	R	9999	Article and Despatched Article
27	LIN	M	1	Buyer's part number

Tag	Name	St	Format	Example	Usage / Remarks
LIN				LIN	
1082	Line item identifier	O	an..6	+000100	
1229	Action code	N		+	Nicht benutzt
C212	Item number identification	R			
7140	Item identifier	R	an..35	+A2053200104	Product identification assigned by buyer / customer
7143	Item type identification code	R	an..3	: IN '	IN Buyer's item number

Remark:

Example:

LIN+000100++A2053200104:IN'

No = Consecutive segment number, MaxOcc = Maximum occurrence of the segment/group St = Status: M/R = Mandatory/Required, C/O = Conditional/Optional, D = Dependent, N = Not used, a3 = exactly 3 alphabetic characters, n3 = exactly 3 numeric characters, an3 = exactly 3 alphanumeric characters, a..3 = up to 3 alphabetic characters, n..3 = up to 3 numeric characters, an..3 = up to 3 alphanumeric characters

Segments

No	Tag	St	MaxOcc	Name
	SG10	R	9999	Packaging level
	SG17	R	9999	Article and Despatched Article
28	QTY	R	1	Despatched quantity

Tag	Name	St	Format	Example	Usage / Remarks
QTY				QTY	
C186	Quantity details	M			
6063	Quantity type code qualifier	M	an..3	+12	12 Despatch quantity
6060	Quantity	M	n..10	:9	Quantity despatched and shipped by the seller/ ship from.
6411	Measurement unit code	O	an..3	:C62'	Quantity (to be) Despatched Measure Unit Specifier Code specifying the unit of measurement, use UN/ECE Rec. 20 C62 one PCE piece DR drum SET set MTR metre CMT centimetre MMT millimetre MLT millilitre MTK square metre LEF leaf MTQ cubic metre LTR litre PR pair RO roll TNE tonne (metric ton) KGM kilogram GRM gram KMT kilometre PCE and C62 are anonymous for piece

Remark:

Example:

QTY+12:9:C62'

Segments

No	Tag	St	MaxOcc	Name
	SG10	R	9999	Packaging level
	SG17	R	9999	Article and Despatched Article
29	ALI	O	1	Preference information

Tag	Name	St	Format	Example	Usage / Remarks
ALI				ALI	
3239	Country of origin identifier	N		+	Nicht benutzt
9213	Duty regime type code	R	an..3	+N'	N No, origin is not subject to preference Y Yes, origin is subject to preference

Remark:

Example:

ALI++N'

No = Consecutive segment number, MaxOcc = Maximum occurrence of the segment/group St = Status: M/R = Mandatory/Required, C/O = Conditional/Optional, D = Dependent, N = Not used, a3 = exactly 3 alphabetic characters, n3 = exactly 3 numeric characters, an3 = exactly 3 alphanumeric characters, a..3 = up to 3 alphabetic characters, n..3 = up to 3 numeric characters, an..3 = up to 3 alphanumeric characters

Segments

No	Tag	St	MaxOcc	Name
	SG10	R	9999	Packaging level
	SG17	R	9999	Article and Despatched Article
	SG19	O	1	Dangerous goods information
30	DGS	M	1	Dangerous goods

Tag	Name	St	Format	Example	Usage / Remarks
DGS				DGS	
8273	Dangerous goods regulations code	O	an..3	+ADR	
C205	Hazard code	N			
8351	Hazard identification code	N		+	Nicht benutzt
C234	UNDG information	R			
7124	United Nations Dangerous Goods (UNDG) identifier	R	n4	+1868	Four-digit UNDG code (United Nations Dangerous Goods) - identification number assigned to the hazardous substance according to the UNDG regulations.
C223	Dangerous goods shipment flashpoint	O			
7106	Shipment flashpoint degree	R	n3	+500	Flashpoint temperature
6411	Measurement unit code	R	an..8	:CEL'	Measurement unit code Code specifying the unit of measurement, use UN/ECE Recommendation 20, Common code. CEL degree Celsius

Remark:

Example:

DGS+ADR++1868+500:CEL'

Segments

No	Tag	St	MaxOcc	Name
31	UNT	M	1	Message trailer

Tag	Name	St	Format	Example	Usage / Remarks
UNT				UNT	
0074	Number of segments in the message	M	n..6	+28	Number of segments in the message
0062	Message reference number	M	an..14	+9'	Message reference number

Remark:

Example:

UNT+28+9'

No = Consecutive segment number, MaxOcc = Maximum occurrence of the segment/group St = Status: M/R = Mandatory/Required, C/O = Conditional/Optional, D = Dependent, N = Not used, a3 = exactly 3 alphabetic characters, n3 = exactly 3 numeric characters, an3 = exactly 3 alphanumeric characters, a..3 = up to 3 alphabetic characters, n..3 = up to 3 numeric characters, an..3 = up to 3 alphanumeric characters

Segments

No	Tag	St	MaxOcc	Name
32	UNZ	M	1	Interchange trailer

Tag	Name	St	Format	Example	Usage / Remarks
UNZ				UNZ	
0036	Interchange control count	M	n..6	+1	
0020	Interchange control reference	M	an..14	+144659'	

Remark:

Example:

UNZ+1+144659'

No = Consecutive segment number, MaxOcc = Maximum occurrence of the segment/group St = Status: M/R = Mandatory/Required, C/O = Conditional/Optional, D = Dependent, N = Not used, a3 = exactly 3 alphabetic characters, n3 = exactly 3 numeric characters, an3 = exactly 3 alphanumeric characters, a..3 = up to 3 alphabetic characters, n..3 = up to 3 numeric characters, an..3 = up to 3 alphanumeric characters