



JIS Toolbox

Buffer Monitor

**PRODAT / Odette
EDIFACT D.03A**

Transmission of the last shipped shift number

Mercedes-Benz
The best or nothing.



Content

Message Type	3
Message Structure	3
Segements	5
UNA	5
UNB	5
UNH	6
BGM	6
DTM	7
NAD	7
NAD	8
LIN	8
PIA	9
IMD	10
UNT	11
UNZ	11

Version	Changed by	on	Dep.	Comment
	M. Trischler (Daimler) Petra Dautel (T-Systems)	2008-12-16	ITP/FL	Initial specification VDP
1.0	W. Pilz	2012-02-29	ITP/FL	Initial specification JISN buffer monitor
2.0	M. Schneider H. Walz	2018-07-16	IT/OCI	Update JIS Toolbox

Desc = Segment / group description

Counter = Number of segments / groups

No = Sequence number in the guide

MaxRep = Maximal number of repetitions per segment / group

St = Status

EDIFACT: M=Mandatory, C=Conditional

Usage: R=Required, O=Optional, D=Dependent, A=Advised, N=Not used

Message Type

Counter	No	Desc	St	MaxRep	Level	Content
0000	1	UNA	C	1	0	Service string advice
0000	2	UNB	M	1	0	Interchange header
0010	3	UNH	M	1	0	Message header
0020	4	BGM	M	1	0	Beginning of message
0030	5	DTM	M	10	1	Date/time/period
0180		SG4	C	99	1	NAD
0190	6	NAD	M	1	1	Name and address
0180		SG4	C	99	1	NAD
0190	7	NAD	M	1	1	Name and address
0370		SG9	C	200	1	LIN-PIA-SG10
0380	8	LIN	M	1	1	Line item
0390	9	PIA	C	10	2	Additional product id
0460		SG10	C	10	2	IMD
0470	10	IMD	M	1	2	Item description
1220	11	UNT	M	1	0	Message trailer
0000	12	UNZ	M	1	0	Interchange trailer

Desc = Segment / group description

Counter = Number of segments / groups

No = Sequence number in the guide

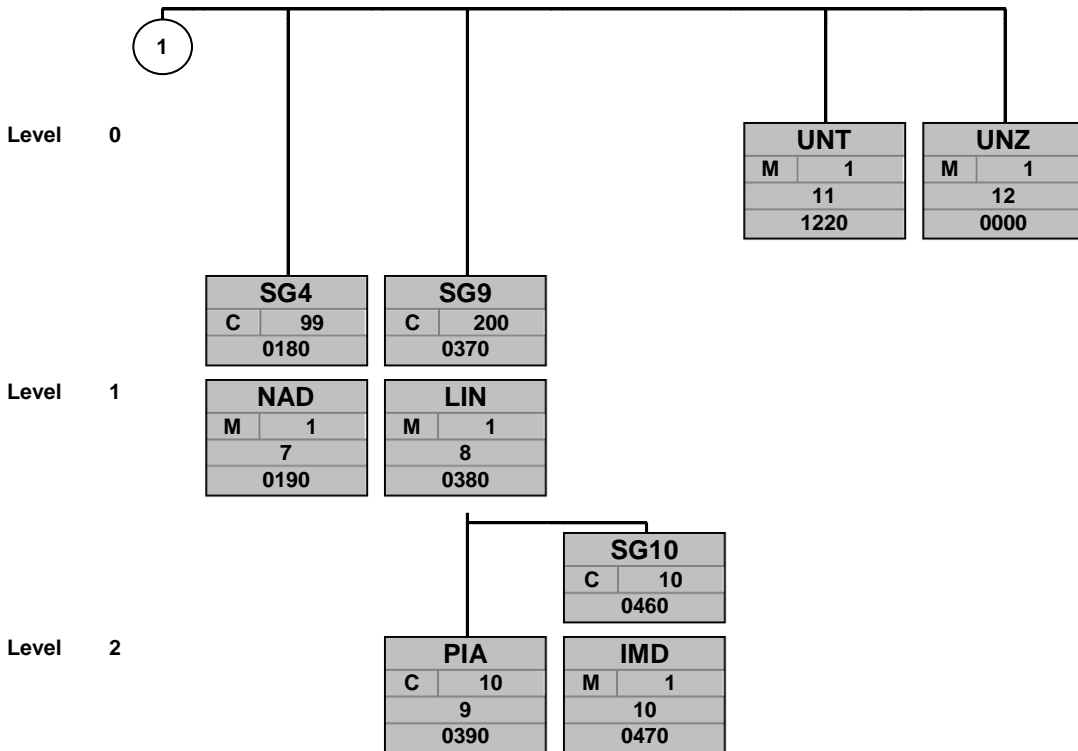
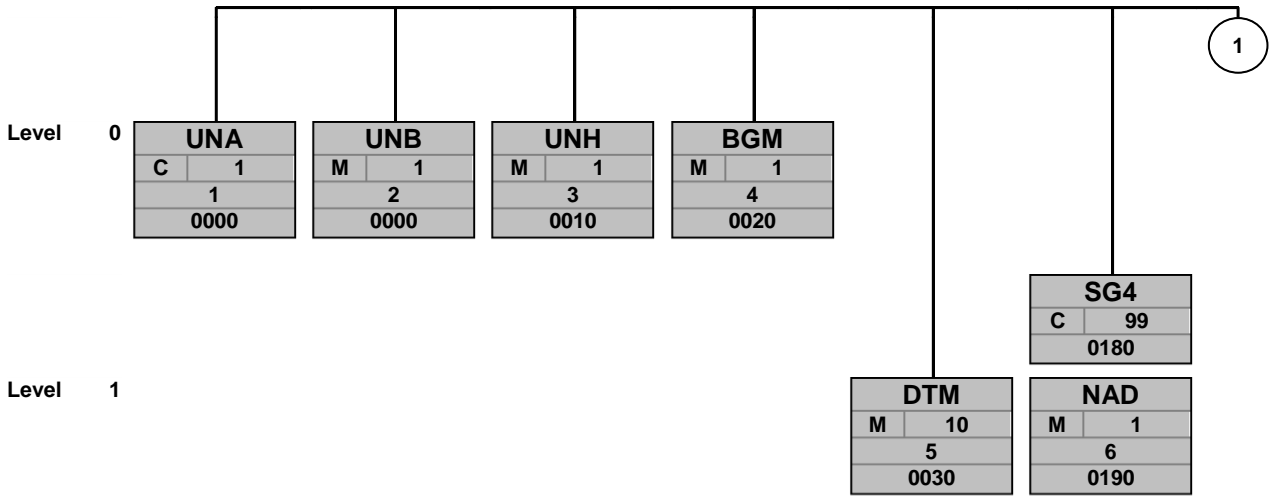
MaxRep = Maximal number of repetitions per segment / group

St = Status

EDIFACT: M=Mandatory, C=Conditional

Usage: R=Required, O=Optional, D=Dependent, A=Advised, N=Not used

Message Structure



Desc = Segment / group description
 Counter = Number of segments / groups
 No = Sequence number in the guide
 MaxRep = Maximal number of repetitions per segment / group

St = Status
 EDIFACT: M=Mandatory, C=Conditional
 Usage: R=Required, O=Optional, D=Dependent, A=Advised, N=Not used

Segments

UNA

Counter	No	Desc	St	MaxRep	Level	Content
0000	1	UNA	C	1	0	Service string advice

Standard			Implementation	
Desc	Name	St Format	St Format	Usage / Comment
UNA				
UNA1	Component data element separator	M an1	M an1	
UNA2	Data element separator	M an1	M an1	
UNA3	Decimal notation	M an1	M an1	
UNA4	Release indicator	M an1	M an1	
UNA5	Reserved for future use	M an1	M an1	
UNA6	Segment terminator	M an1	M an1	

Comment:

Example:

UNA: + . ? ' '

UNB

Counter	No	Desc	St	MaxRep	Level	Content
0000	2	UNB	M	1	0	Interchange header

Standard			Implementation	
Desc	Name	St Format	St Format	Usage / Comment
UNB				
S001	Syntax identifier	M	M	
0001	Syntax identifier	M a4	M a4	
0002	Syntax version number	M n1	M n1	
S002	Interchange sender	M	M	
0004	Sender identification	M an..35	M an..35	
0007	Partner identification code qualifier	C an..4	N	Not used
0008	Address for reverse routing	C an..14	N	Not used
S003	Interchange recipient	M	M	
0010	Recipient identification	M an..35	M an..35	
0007	Partner identification code qualifier	C an..4	N	Not used
0014	Routing address	C an..14	N	Not used
S004	Date/time of preparation	M	M	
0017	Date of preparation	M n6	M n6	
0019	Time of preparation	M n4	M n4	
0020	Interchange control reference	M an..14	M an..14	Repeated in the UNZ segment

Comment:

Example:

UNB+UNOC:3+ORIGINATOR::+00013000560MB050000J::+120229:1511+4711'

Desc = Segment / group description

Counter = Number of segments / groups

No = Sequence number in the guide

MaxRep = Maximal number of repetitions per segment / group

St = Status

EDIFACT: M=Mandatory, C=Conditional

Usage: R=Required, O=Optional, D=Dependent, A=Advised, N=Not used

UNH

Counter	No	Desc	St	MaxRep	Level	Content
0010	3	UNH	M	1	0	Message header

Standard			Implementation	
Desc	Name	St Format	St Format	Usage / Comment
UNH				
0062	Message reference number	M an..14	M an..14	Repeated in the UNT segment
S009	Message identifier	M	M	
0065	Message type	M an..6	M an..6	
0052	Message version number	M an..3	M an..3	
0054	Message release number	M an..3	M an..3	
0051	Controlling agency	M an..2	M an..2	

Comment:

Example:

UNH+1+PRODAT : D : 03A : UN '

BGM

Counter	No	Desc	St	MaxRep	Level	Content
0020	4	BGM	M	1	0	Beginning of message

Standard			Implementation	
Desc	Name	St Format	St Format	Usage / Comment
BGM				
C002	Document/message name	C	C	
1001	Document name code	C an..3	C an..3	289 Product data message
C106	Document/message identification	C	C	
1004	Document identifier	C an..35	C an..35	

Comment:

Example:

BGM+289+4711 '

Desc = Segment / group description

Counter = Number of segments / groups

No = Sequence number in the guide

MaxRep = Maximal number of repetitions per segment / group

St = Status

EDIFACT: M=Mandatory, C=Conditional

Usage: R=Required, O=Optional, D=Dependent, A=Advised, N=Not used

DTM

Counter	No	Desc	St	MaxRep	Level	Content
0030	5	DTM	M	10	1	Date/time/period

Standard			Implementation	
Desc	Name	St Format	St Format	Usage / Comment
DTM				
C507	Date/time/period	M	M	
2005	Date or time or period function code qualifier	M an..3	M an..3	137 Document/message date/time
2380	Date or time or period text	C an..35	C an..35	Message Date
2379	Date or time or period format code	C an..3	C an..3	102 CCYYMMDD

Comment:

Example:

DTM+137:20120229:102'

NAD

Counter	No	Desc	St	MaxRep	Level	Content
0180		SG4	C	99	1	NAD
0190	6	NAD	M	1	1	Name and address

Standard			Implementation	
Desc	Name	St Format	St Format	Usage / Comment
NAD				
3035	Party function code qualifier	M an..3	M an..3	CN Consignee
C082	Party identification details	C	C	
3039	Party identifier	M an..35	M n3	Plant number (3 digits)
1131	Code list identification code	C an..17	N	Not used
3055	Code list responsible agency code	C an..3	C an..3	92 Assigned by buyer or buyer's agent

Comment:

Example:

NAD+CN+050: : 92'

Desc = Segment / group description

Counter = Number of segments / groups

No = Sequence number in the guide

MaxRep = Maximal number of repetitions per segment / group

St = Status

EDIFACT: M=Mandatory, C=Conditional

Usage: R=Required, O=Optional, D=Dependent, A=Advised, N=Not used

NAD

Counter	No	Desc	St	MaxRep	Level	Content
0180		SG4	C	99	1	NAD
0190	7	NAD	M	1	1	Name and address

Standard			Implementation	
Desc	Name	St Format	St Format	Usage / Comment
NAD				
3035	Party function code qualifier	M an..3	M an..3	SE Seller
C082	Party identification details	C	C	
3039	Party identifier	M an..35	M an..9	Supplier number + Index (8 + 1 Stellen)
1131	Code list identification code	C an..17	M n..10	Not used
3055	Code list responsible agency code	C an..3	C an..3	92 Assigned by buyer or buyer's agent

Comment:

Example:

NAD+SE+12345678A: : 92 '

LIN

Counter	No	Desc	St	MaxRep	Level	Content
0370		SG9	C	650	1	LIN-PIA-SG10 Max. number of records in one MQ-set = 650. 1 message should be transmitted in one MQ-set.
0380	8	LIN	M	1	1	Line item

Standard			Implementation	
Desc	Name	St Format	St Format	Usage / Comment
LIN				
1082	Line item identifier	C an..6	C an..6	

Comment:

One message can include max 650 LIN segments.

Example:

LIN+1 '

Desc = Segment / group description

Counter = Number of segments / groups

No = Sequence number in the guide

MaxRep = Maximal number of repetitions per segment / group

St = Status

EDIFACT: M=Mandatory, C=Conditional

Usage: R=Required, O=Optional, D=Dependent, A=Advised, N=Not used

PIA

Counter	No	Desc	St	MaxRep	Level	Content
---------	----	------	----	--------	-------	---------

0370 SG9 C 200 1 LIN-PIA-SG10

Max. number of records in one MQ-set = 650. 1 message should be transmitted in one MQ-set.

0390 9 PIA C 10 2 Additional product id

Standard			Implementation	
Desc	Name	St Format	St Format	Usage / Comment
PIA				
4347	Product identifier code qualifier	M an..3	M an..3	1 Additional identification
C212	Item number identification	M	M	
7140	Item identifier	C an..35	C an..5	SCHINR Variable Identifier
7143	Item type identification code	C an..3	C an..3	BK Data category
C212	Item number identification	C	R	
7140	Item identifier	C an..35	M an..18	Shiftnumber in the format: Plus production area (3 digits: eg T11) + Date (8 digits, format: CCYYMMDD) + Shift indicator (1 digit: F, S or T) + running number (3 digits)
7143	Item type identification code	C an..3	C an..3	ZZZ Mutually defined
C212	Item number identification	C	C	
7140	Item identifier	C an..35	C	Not used
7143	Item type identification code	C an..3	C an..3	Not used

Comment:

Example:

PIA+1+SCHINR: BK+V6120120229F123: ZZZ '

Desc = Segment / group description

Counter = Number of segments / groups

No = Sequence number in the guide

MaxRep = Maximal number of repetitions per segment / group

St = Status

EDIFACT: M=Mandatory, C=Conditional

Usage: R=Required, O=Optional, D=Dependent, A=Advised, N=Not used

IMD

Counter	No	Desc	St	MaxRep	Level	Content
0370		SG9	C	200	1	LIN-PIA-SG10
Max. number of records in one MQ-set = 200. 1 message should be transmitted in one MQ-set.						
0460		SG10	C	10	2	IMD
0470	10	IMD	M	1	2	Item description

Standard			Implementation	
Desc	Name	St Format	St Format	Usage / Comment
IMD				
7077	Description format code	C an..3	C an..3	B Code and text
C272	Item characteristic	C	N	
7081	Item characteristic code	C an..3	N	Not used
C273	Item description	C	C	
7009	Item description code	C an..17	C an..17	1
1131	Code list identification code	C an..17	N	Not used
3055	Code list responsible agency code	C an..3	N	Not used
7008	Item description	C an..256	M n..5	Ident: „20001“ = Sequence ID „20002“ = Timestamp of the feedback
7008	Item description	C an..256	M an..17	Value: When ident= „2001“: Agreed sequence ID: 10 digits numeric When ident = „2002“: Timestamp of the feedback in the format CCYY-MM-DD HHMMSS

Comment:

Max. 2 IMD segments per LIN

Example:

IMD+B++1:::20001:1234567890'

IMD+B++1:::20002:2012-02-29 115555'

Desc = Segment / group description

Counter = Number of segments / groups

No = Sequence number in the guide

MaxRep = Maximal number of repetitions per segment / group

St = Status

EDIFACT: M=Mandatory, C=Conditional

Usage: R=Required, O=Optional, D=Dependent, A=Advised, N=Not used

UNT

Counter	No	Desc	St	MaxRep	Level	Content
1220	11	UNT	M	1	0	Message trailer

Standard			Implementation	
Desc	Name	St Format	St Format	Usage / Comment
UNT				
0074	Number of segments in the message	M n..6	M n..6	Number of UNH segments up to and including UNT. In case of feedback for one shiftnumber to JAM = 10
0062	Message reference number	M an..14	M an..14	

Comment:

Example:
`UNT+10+1'`

UNZ

Counter	No	Desc	St	MaxRep	Level	Content
0000	12	UNZ	M	1	0	Interchange trailer

Standard			Implementation	
Desc	Name	St Format	St Format	Usage / Comment
UNZ				
0036	Interchange control count	M n..6	M n..6	
0020	Interchange control reference	M an..14	M an..14	

Comment:

Example:
`UNZ+1+4711'`

Desc = Segment / group description

Counter = Number of segments / groups

No = Sequence number in the guide

MaxRep = Maximal number of repetitions per segment / group

St = Status

EDIFACT: M=Mandatory, C=Conditional

Usage: R=Required, O=Optional, D=Dependent, A=Advised, N=Not used